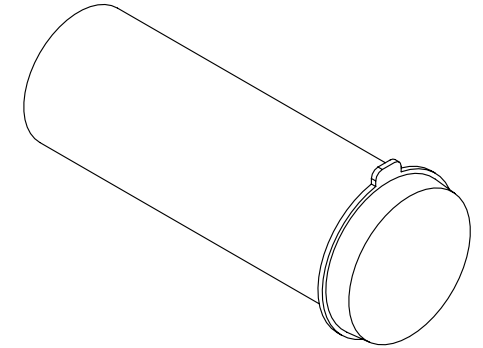
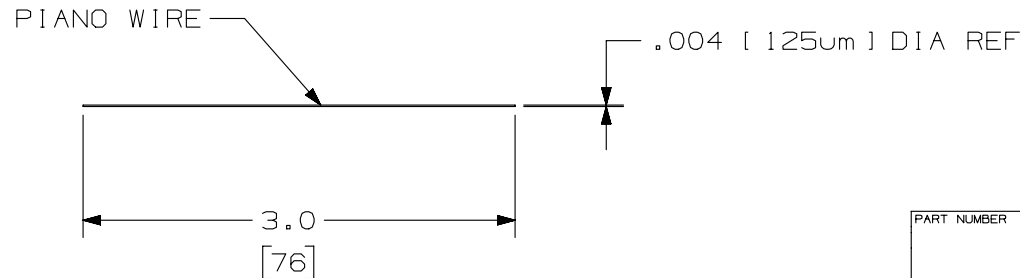
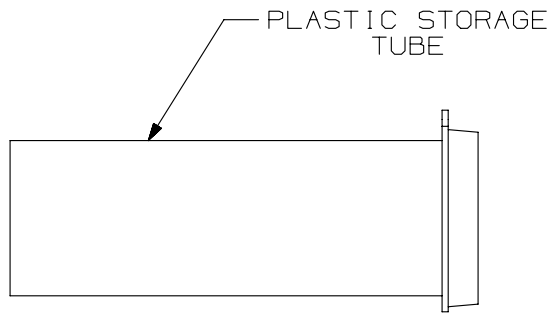


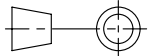
THIS COPY IS PROVIDED ON A RESTRICTED BASIS AND IS NOT TO BE USED IN ANY WAY DETRIMENTAL TO THE INTERESTS OF PANDUIT CORP.

|                     |                                     |
|---------------------|-------------------------------------|
| PANDUIT PART NUMBER | WEIGHT                              |
| FPWIRE              | .03 LB./TUBE<br>[ 13.5 GRAMS/TUBE ] |

NOTES:

1. SEE CURRENT CATALOG FOR ADDITIONAL PART NUMBER SUFFIXES TO INDICATE PACKAGE QUANTITIES.
2. PIANO WIRE IS INTENDED TO BE USED TO REMOVE A BROKEN FIBER FROM THE FERRULE PRIOR TO TERMINATION.
3. PIANO WIRE IS CONSTRUCTED OF CARBIDE STEEL.
4. PIANO WIRE IS PACKAGED (8) PIECES OF WIRE PER PLASTIC STORAGE TUBE.
5. ALL DIMENSIONS IN BRACKETS ARE METRIC [ mm ].



|  |          |                    |       |                 |
|--|----------|--------------------|-------|-----------------|
| PART NUMBER  |          | FPWIRE             |       |                 |
| TITLE  |          |                    |       |                 |
| TERMINATION KIT PIANO WIRE   |          |                    |       |                 |
| CUSTOMER DRAWING   |          |                    |       |                 |
| ITEM REVISION NAME   |          | M01190CC/00        |       |                 |
| DATASET FILE NAME  |          | M01190CC_DC/00C    |       |                 |
| UNLESS OTHERWISE SPECIFIED,<br>DIMENSIONAL TOLERANCES ARE: IN [ mm ]   |          |                    |       | <b>PANDUIT</b>  |
| .x ±   |          | .xxx ± .010 [ .3 ] |       |                 |
| .xx ± .03 [ .8 ]   |          | ANGLES ±           |       | MATERIAL:       |
|  THIRD ANGLE PROJECTION |          |                    |       | DRAWING NUMBER: |
|  |          |                    |       | 01190-27        |
| DRAWN BY   | DATE     | CHK                | SCALE | SIZE            |
| EFK  | 07-24-03 | RTF I              | NONE  | A               |
| SHT 1 OF 1   |          |                    |       |                 |

|     |         |     |     |     |                                 |          |
|-----|---------|-----|-----|-----|---------------------------------|----------|
| 2   | 2/11/15 | JSP | WJM | RWB | A. UPDATED DRAWING TITLE BLOCK. | 01190-27 |
| REV | DATE    | BY  | CHK | APR | DESCRIPTION                     | ECN      |

D10100DA/14

## X-ON Electronics

Largest Supplier of Electrical and Electronic Components

*Click to view similar products for [Hook-up Wire](#) category:*

*Click to view products by [Panduit](#) manufacturer:*

Other Similar products are found below :

[8918-BRN-1000](#) [8920-DK-BLU-1000](#) [CR6328-000](#) [01776.38.01](#) [M22759/16-14-5-500FT](#) [7053-RED-1000](#) [7053-SLATE-1000](#) [F25935-000](#)  
[F60898-000](#) [8055](#) [81044/12-18-9CS3209](#) [82A0811-4-9-G110](#) [83004-ORG-1000](#) [83005-LT-BLU-1000](#) [83025-VIO-1000](#) [8523-RED-100](#)  
[8524-WHT-100](#) [8525-ORG-1000](#) [8530-BLK-1000](#) [8530-LT-BLU-100](#) [8538-009-1000](#) [8597-LT-BLU-100](#) [8898-BLK-100](#) [138498-000](#)  
[E76065-000](#) [EPD50886A-20-9](#) [BFWUL3239-24-PINK](#) [C2015A.12.04](#) [C2015A.12.05](#) [C2015A.12.08](#) [C2015A.12.10](#) [C2015A.12.19](#)  
[C2016A.12.05](#) [C2016A.12.07](#) [C2065A.12.02](#) [C77653-000](#) [220368-001](#) [8916-GRY-500](#) [8918-RED-100](#) [8919-DK-BLU-1000](#) [8919-YEL-100](#)  
[8920-YEL-100](#) [9242833001](#) [933205-000](#) [282257-000](#) [2841/7-YELLOW-1000](#) [2842/7-ORANGE-100](#) [2842/7-RED-1000](#) [2843/19-BLUE-100](#)  
[2843/1-YELLOW-100](#)