

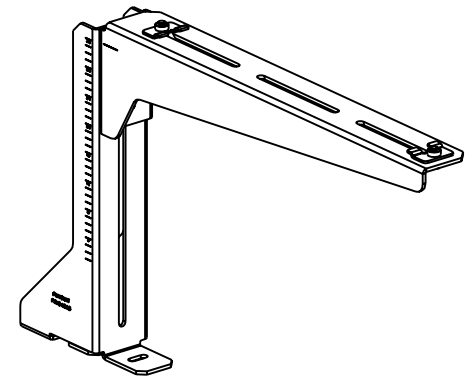
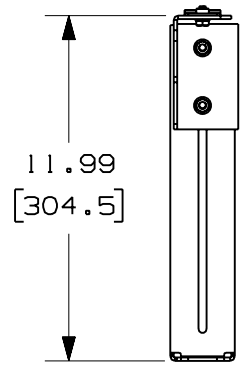
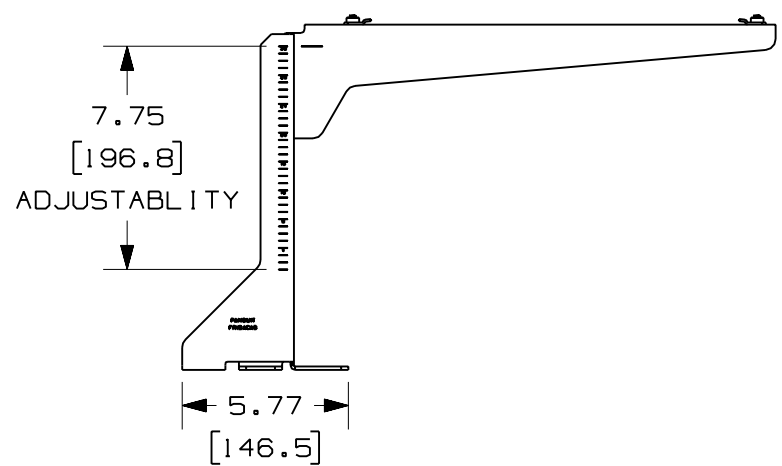
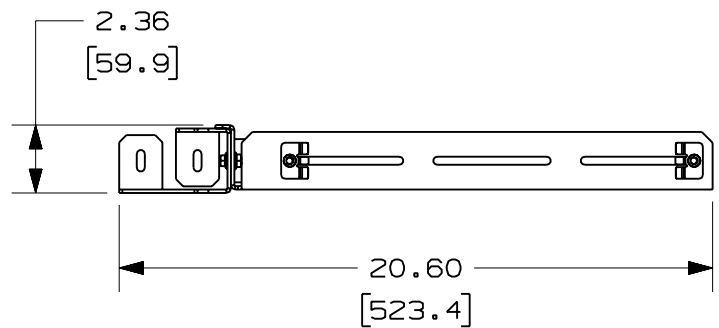


PANDUIT PART NUMBER	WEIGHT
FR12ACAB	4.32 LB/EACH (1960g/EACH)



NOTES:

- SEE CURRENT CATALOG FOR ADDITIONAL PART SUFFIXES TO INDICATE PACKAGE QUANTITY.
- THE FIBERRUNNER 12x4 QUIKLOCK ADJUSTABLE CABINET BRACKET IS USED TO SUPPORT THE FIBERRUNNER 12x4 CABLE ROUTING SYSTEM DIRECTLY ALONG THE TOP OF TELECOMMUNICATION CABINETS WITHOUT THE USE OF THREADED ROD.
- THE FIBERRUNNER 12x4 QUIKLOCK ADJUSTABLE CABINET BRACKET INCLUDES:
ONE (1) BRACKET ASSEMBLY,
TWO (2) 1/4-20x5/8 HEX HEAD SERRATED FLANGE SCREWS,
TWO (2) 1/4-20 HEX SERRATED FLANGE NUTS,
ONE (1) 1/4-20 T-BOLT,
ONE (1) 1/4-20 HEX KEPS LOCK NUT
- FINISH COLOR: BLACK (EXCEPT HARDWARE)
- DIMENSIONS IN PARENTHESES ARE IN METRIC.



ENG. REF.: D38557BF_DC_FR12ACAB_02.prt

CAD FILENAME/LAYERS: FR12ACAB.pdf

REV	DATE	BY	CHK	DESCRIPTION	ECN	R	CUST	SUP	GMBH
-	-----	---	--	G. REVISED GENERAL NOTES.	-----	--	--		
-	-----	---	--	F. REVISED PART WEIGHT. E. REVISED DRAWING TITLE.	-----	--	--		
1	1-5-07	MSO	RN	D. REVISED CAD FILENAME. C. REVISED AND REDRAWN.	38557-06	RN	RN		

<h1>PANDUIT</h1> <p>CORP TINLEY PARK, ILLINOIS</p> <p>FIBERRUNNER 12x4 QUIKLOCK ADJUSTABLE CABINET BRACKET (FR12ACAB) CUSTOMER DRAWING </p>	
UNLESS OTHERWISE SPECIFIED, DIMENSIONAL TOLERANCES ARE: (.X) ± (.XXX) ± (.XX) ± .03 (.8) ANGLES ±	UNLESS OTHERWISE SPECIFIED, ALL DIMENSIONS ARE GIVEN IN INCHES, THIRD ANGLE PROJECTION.
DRAWN BY: JHNU DATE: 5-13-03 CHK'D: SMF	SCALE: NONE DRAWING NO.: 38557-06 DWG SIZE: A
<h2>STEEL</h2>	

X-ON Electronics

Largest Supplier of Electrical and Electronic Components

Click to view similar products for [Racks & Rack Cabinet Accessories](#) category:

Click to view products by [Panduit](#) manufacturer:

Other Similar products are found below :

[M00-PLN](#) [F2424](#) [8351-832-A-24](#) [9104](#) [9105](#) [PLFF2000](#) [H-9163-B](#) [1427C3](#) [HTS10](#) [PC-79](#) [SC10-3A](#) [SC4-28](#) [CG3-340S/12](#) [CP-001BK](#)
[M6123-4007-SS](#) [TS170](#) [LP40](#) [5261304-07](#) [CG3-160G](#) [7112C-PLN](#) [ALUM](#) [CM10](#) [8610-3124-S-26](#) [TS81](#) [7142](#) [GP134](#) [M6125-4007-A-24](#)
[M6127-4007-SS](#) [PBCOVER](#) [512](#) [AEG-4000G](#) [AEG-3000G](#) [HD99](#) [SR2-66A2](#) [FP10B4HP-1](#) [SR16-66A2](#) [FP52-2](#) [1406-1006-01](#) [29478](#)
[TS2535](#) [TS169-6](#) [CAC2](#) [HA19-3U](#) [BR-19-10-1](#) [TS180](#) [CG3-ESD](#) [SC11-1](#) [CFS-1.00/2.20](#) [AX6145WM](#) [HEC0800PB](#) [ZC633R](#)