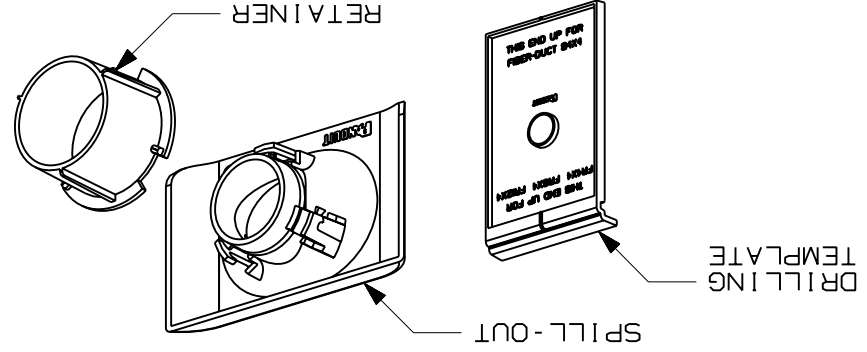


REV	DATE	BY	CHK	DESCRIPTION	ECN	R	CUST	SUP	GMBH	WAB
2	1-4-07	MSO	RN	B. REVISED AND REDRAWN. C. REVISED CAD FILENAME. D. REVISED DRAWING TITLE. E. REVISED PART WEIGHT. F. REVISED GENERAL NOTES.	38389-05	RN	RN			5-23-02
-	-	-	-	-	-	-	-	-	-	JHNU
-	-	-	-	-	-	-	-	-	-	DATE
-	-	-	-	-	-	-	-	-	-	CHK'D
-	-	-	-	-	-	-	-	-	-	MAT'L:
-	-	-	-	-	-	-	-	-	-	ABS
-	-	-	-	-	-	-	-	-	-	DRAWING NO. 38389-05
-	-	-	-	-	-	-	-	-	-	SIZE A

CAD FILENAME/LAYERS ∇ C FR1.SIDE.pdf

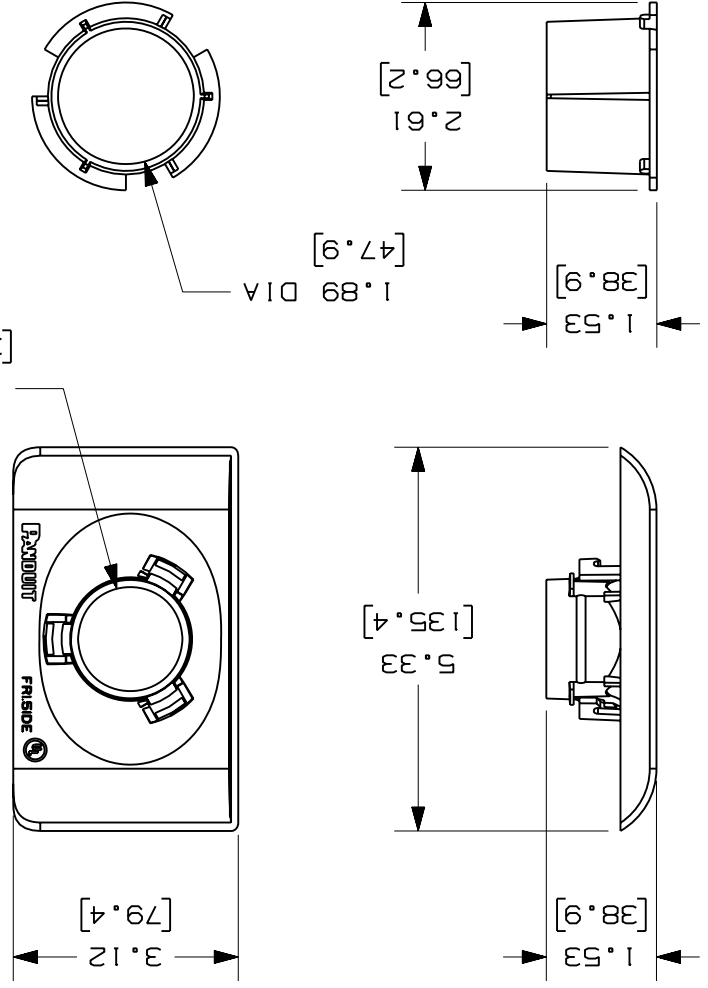
ENG. REF.: D38389BH-DC-FR1.SIDE-02.prt



1. SEE CURRENT CATALOG FOR ADDITIONAL PART SUFFIXES TO INDICATE COLOR AND/OR PACKAGE QUANTITY.
 2. THE FIBER-DUCT 4x4, FIBERRUNNER 4x4, 6x4 AND 12x4 1-PORT SIDE EXIT SPILL-OUT TO 1 1/2" I.D. CORRUGATED LOOM TUBING IS USED TO ROUTE CABLES THROUGH 1 1/2" INSIDE DIAMETER CORRUGATED LOOM TUBING VIA A HOLE CUT INTO THE SIDE WALL OF THE FIBER-DUCT 4x4, FIBERRUNNER 4x4, 6x4 AND 12x4 CHANNEL. THE SPILL-OUT ACCEPTS A SINGLE PIECE OF 1 1/2" (38.1) I.D. SLIT CORRUGATED LOOM TUBING (CLT150F-X**, CLT150F-T20)
 3. THE FIBER-DUCT 4x4, FIBERRUNNER 4x4, 6x4 AND 12x4 1-PORT SIDE EXIT SPILL-OUT TO 1 1/2" I.D. CORRUGATED LOOM TUBING INCLUDES:
 ONE (1) SPILL-OUT,
 ONE (1) RETAINER,
 ONE (1) DRILLING TEMPLATE
 4. DIMENSIONS IN PARENTHESES ARE IN METRIC.

PANDUIT	FR1.SIDE
PART NUMBER	0.20 LB/EACH (92g/EACH)
WEIGHT	

NOTES:



X-ON Electronics

Largest Supplier of Electrical and Electronic Components

Click to view similar products for [Wire Ducting](#) category:

Click to view products by [Panduit](#) manufacturer:

Other Similar products are found below :

[66200A-10](#) [CVED32VEPG](#) [CVED40VEPG](#) [F512D5-5F140Y](#) [F512D5-5F200Y](#) [F512D5-5F26Y](#) [F512D5-5F30Y](#) [F512D5-5F33Y](#) [F512D5-5F34Y](#) [F512D5-5F45Y](#) [F512D5-5F50Y](#) [F512D5-5F54Y](#) [F512D5-5F66Y](#) [F512D5-5F70Y](#) [F512D5-5F75Y](#) [F512D5-5F90Y](#) [F612D5-5F100Y](#) [F612D5-5F130Y](#) [F612D5-5F50Y](#) [F612D5-5F56Y](#) [F612D5-5F58Y](#) [F6L12D5-5F46](#) [F912D5-5F11Y](#) [F912D5-5F170Y](#) [F912D5-5F175Y](#) [F912D5-5F230Y](#) [F912D5-5F300Y](#) [F912D5-5F55Y](#) [F912D5-5F56Y](#) [F912D5-5F63Y](#) [F912D5-5F6Y](#) [F912D5-5F75Y](#) [F912D5-5F85Y](#) [F912D5-5F86Y](#) [F912D5-5F88Y](#) [F912D5-5F96Y](#) [FAP0047WBLMTP](#) [FAP12WBRDRDDLZ](#) [FAP12WDYLYLDLZ](#) [FAP12WEORORDLZ](#) [FAP6WEORORDLZ](#) [FAP6WFDBDBDLZ](#) [FAP8WEORORDLZ](#) [FCE2UWCL](#) [800A-LB](#) [802A-ECSP](#) [802I-ICSP](#) [FJQADH](#) [FJQFXT](#) [PED10](#)