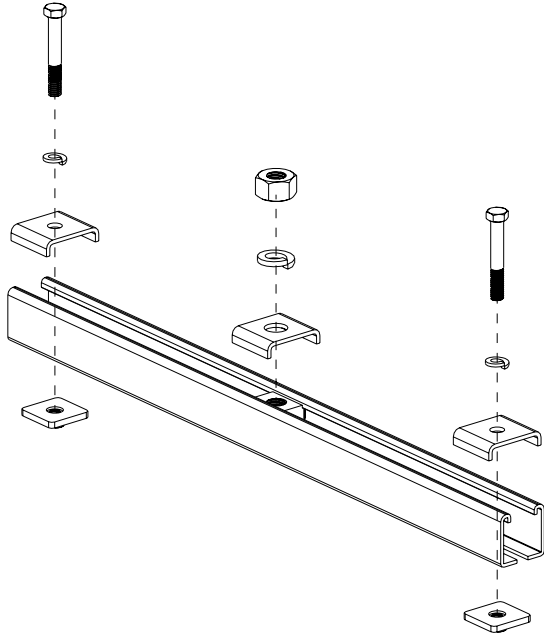
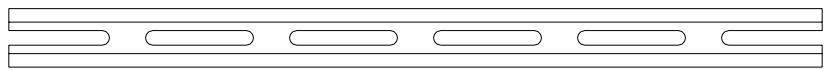


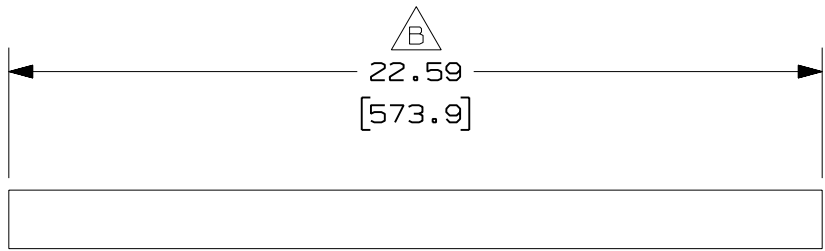
THIS COPY IS PROVIDED ON A RESTRICTED BASIS AND IS NOT TO BE USED IN ANY WAY DETRIMENTAL TO THE INTERESTS OF PANDUIT CORP.



1.62
[41.3]



22.59
[573.9]



NOTES:

1. SEE CURRENT CATALOG FOR ADDITIONAL PART SUFFIXES TO INDICATE PACKAGE QUANTITY.
2. THE FIBER ROUTING 4-POST RACK BRACKET ALLOWS FOR 5/8" THREADED ROD (NOT INCLUDED) TO BE MOUNTED TO THE TOP OF A PANDUIT 4-POST RACK (CMR4P84).
3. THE FIBER ROUTING 4-POST RACK BRACKET KIT INCLUDES:
 ONE (1) STRUT METAL FRAMING CHANNEL,
 TWO (2) SQUARE NUT PEM SELF-CLINCHING ASSEMBLIES,
 TWO (2) STRUT METAL FRAMING CHANNEL U-WASHERS
 - 7/16" HOLE,
 TWO (2) 3/8" HELICAL SPRING LOCKWASHERS,
 TWO (2) 3/8-16x2 1/2" HEX HEAD CAP SCREWS,
 ONE (1) STRUT METAL FRAMING CHANNEL U-WASHER
 - 11/16" HOLE,
 ONE (1) 5/8" HELICAL SPRING LOCKWASHER,
 ONE (1) 5/8-11 HEAVY HEX NUT,
 ONE (1) 5/8-11 CHANNEL NUT WITHOUT SPRING
4. FINISH COLOR: BLACK (EXCEPT FOR HARDWARE).
5. DIMENSIONS IN PARENTHESES ARE IN METRIC.

PANDUIT P/N	WEIGHT
FR4PRB58	4.39 LB/EACH 1990g/EACH



ENG. REF.: D38780BN_DC_FR4PRB58_01.prt

CAD FILENAME/LAYERS: FR4PRB58.pdf

PANDUIT CORP TINLEY PARK, ILLINOIS
 FIBER ROUTING 4-POST RACK BRACKET
 - 5/8" THREADED ROD (FR4PRB58)
 CUSTOMER DRAWING

UNLESS OTHERWISE SPECIFIED,
 DIMENSIONAL TOLERANCES ARE:
 (.X) ± (.XXX) ±
 (.XX) ± .03 (.8) ANGLES ±

UNLESS OTHERWISE SPECIFIED,
 ALL DIMENSIONS ARE GIVEN IN
 INCHES, THIRD ANGLE PROJECTION.

-	-----	---	--	C. REVISED PART WEIGHT.	-----	--	--												
1	7-10-07	MSO	RN	B. REVISED PART GEOMETRY. A. REVISED DRAWING TITLE.	38780-10	RN	RN												
R	5-18-04	MSO	RPA	RELEASED TO PRODUCTION	38780-10	RN	RN												
REV	DATE	BY	CHK	DESCRIPTION	ECN	R	CUST	SUP	GMBH										

DRAWN BY	MAT'L:	SCALE
MSO	STEEL	NONE
DATE		DRAWING NO.
5-18-04		38780-10
CHK'D		DWG
RPA		A
		SIZE
		A

X-ON Electronics

Largest Supplier of Electrical and Electronic Components

Click to view similar products for [Racks & Rack Cabinet Accessories](#) category:

Click to view products by [Panduit](#) manufacturer:

Other Similar products are found below :

[M00-PLN](#) [F2424](#) [8351-832-A-24](#) [9104](#) [9105](#) [PLFF2000](#) [H-9163-B](#) [1427C3](#) [HTS10](#) [PC-79](#) [SC10-3A](#) [SC4-28](#) [CG3-340S/12](#) [CP-001BK](#)
[M6123-4007-SS](#) [TS170](#) [LP40](#) [5261304-07](#) [CG3-160G](#) [7112C-PLN](#) [ALUM](#) [CM10](#) [8610-3124-S-26](#) [TS81](#) [7142](#) [GP134](#) [M6125-4007-A-24](#)
[M6127-4007-SS](#) [PBCOVER](#) [512](#) [AEG-4000G](#) [AEG-3000G](#) [HD99](#) [SR2-66A2](#) [FP10B4HP-1](#) [FP52-2](#) [1406-1006-01](#) [29478](#) [TS2535](#) [TS169-](#)
[6](#) [CAC2](#) [HA19-3U](#) [BR-19-10-1](#) [TS180](#) [CG3-ESD](#) [SC11-1](#) [CFS-1.00/2.20](#) [AX6145WM](#) [HEC0800PB](#) [ZC633R](#) [140PLN](#)