

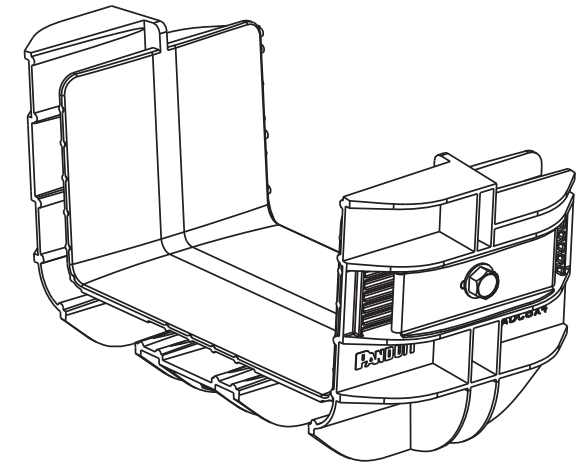
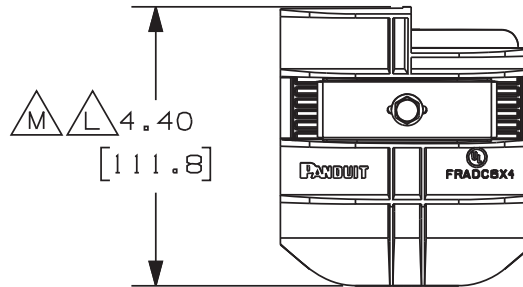
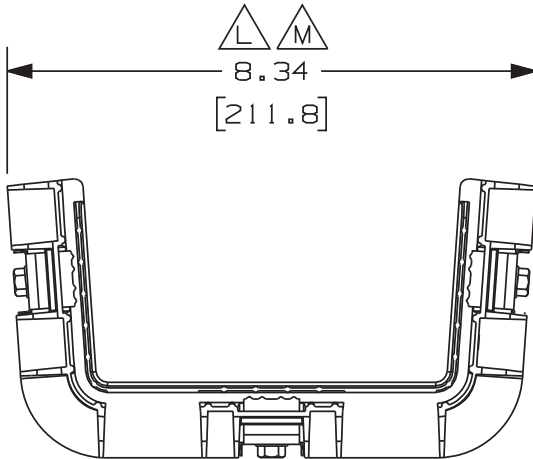
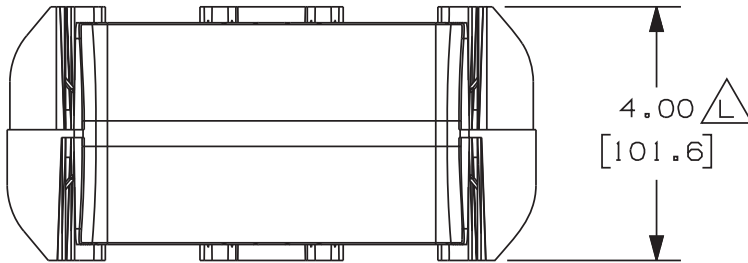


PANDUIT PART NUMBER	WEIGHT
FRADC6X4	.76 LB/EACH (345g/EACH)



K NOTES:

1. SEE CURRENT CATALOG FOR ADDITIONAL PART SUFFIXES TO INDICATE PACKAGE QUANTITY.
2. THE FIBERRUNNER 6x4 TO ADC 4x6 FIBERGUIDE ADAPTER ALLOWS FOR THE FIBERRUNNER 6x4 CABLE ROUTING SYSTEM TO TRANSITION INTO OR OUT OF THE ADC 4x6 FIBERGUIDE SYSTEM.
3. DIMENSIONS IN PARENTHESIS ARE IN METRIC.



ENG. REF.: D37185EY_DC_FRADC6X4_02B.prt

CAD FILENAME/LAYERS **H** FRADC6X4.pdf

PANDUIT CORP TINLEY PARK, ILLINOIS
 FIBERRUNNER 6x4 TO ADC 4x6
 FIBERGUIDE ADAPTER (FRADC6X4)
 CUSTOMER DRAWING

-	-----	---	---	M. REVISED DIMENSION.	-----	--	--											
-	-----	---	---	L. RELOCATED DIMENSIONS. K. REVISED GENERAL NOTES.	-----	--	--											
-	-----	---	---	J. REVISED PART WEIGHT. I. REVISED DRAWING TITLE.	-----	--	--											
4	5-19-05	MSO	RPA	H. REVISED CAD FILENAME. G. REVISED AND REDRAWN.	37185-71	RN	RN											
REV	DATE	BY	CHK	DESCRIPTION	ECN	R	CUST	SUP	GMBH	CHK'D								

I	UNLESS OTHERWISE SPECIFIED, DIMENSIONAL TOLERANCES ARE: (.X) ± .03 (.8) (.XXX) ± .03 (.XX) ± .03 (.8) ANGLES ±	UNLESS OTHERWISE SPECIFIED, ALL DIMENSIONS ARE GIVEN IN INCHES, THIRD ANGLE PROJECTION.
	DRAWN BY: JHNU DATE: 5-5-00 MATERIAL: ABS CHK'D: LD	SCALE: NONE DRAWING NO.: 37185-71 DWG SIZE: A

X-ON Electronics

Largest Supplier of Electrical and Electronic Components

Click to view similar products for [Wire Ducting](#) category:

Click to view products by [Panduit](#) manufacturer:

Other Similar products are found below :

[66200A-10](#) [CVED32VEPG](#) [CVED40VEPG](#) [F512D5-5F140Y](#) [F512D5-5F200Y](#) [F512D5-5F26Y](#) [F512D5-5F30Y](#) [F512D5-5F33Y](#) [F512D5-5F34Y](#) [F512D5-5F45Y](#) [F512D5-5F50Y](#) [F512D5-5F54Y](#) [F512D5-5F66Y](#) [F512D5-5F70Y](#) [F512D5-5F75Y](#) [F512D5-5F90Y](#) [F612D5-5F100Y](#) [F612D5-5F130Y](#) [F612D5-5F50Y](#) [F612D5-5F56Y](#) [F612D5-5F58Y](#) [F6L12D5-5F46](#) [F912D5-5F11Y](#) [F912D5-5F170Y](#) [F912D5-5F175Y](#) [F912D5-5F230Y](#) [F912D5-5F300Y](#) [F912D5-5F55Y](#) [F912D5-5F56Y](#) [F912D5-5F63Y](#) [F912D5-5F6Y](#) [F912D5-5F75Y](#) [F912D5-5F85Y](#) [F912D5-5F86Y](#) [F912D5-5F88Y](#) [F912D5-5F96Y](#) [FAP0047WBLMTP](#) [FAP12WBRDRDDLZ](#) [FAP12WDYLYLDLZ](#) [FAP12WEORORDLZ](#) [FAP6WEORORDLZ](#) [FAP6WFDBDBDLZ](#) [FAP8WEORORDLZ](#) [FCE2UWCL](#) [800A-LB](#) [802A-ECSP](#) [802I-ICSP](#) [FJQADH](#) [FJQFXT](#) [PED10](#)