

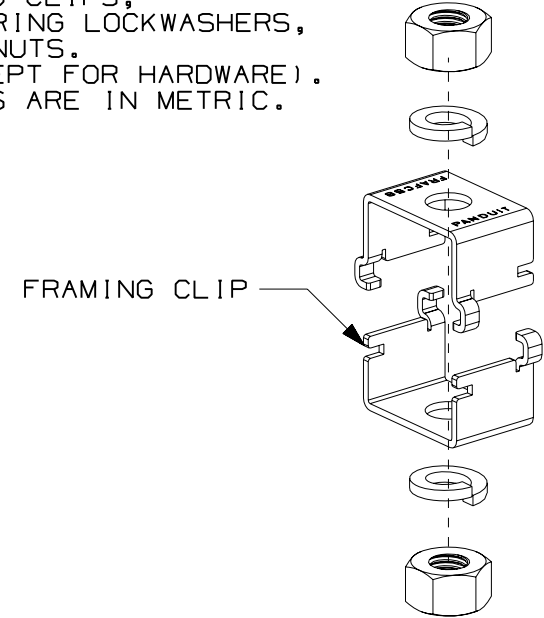
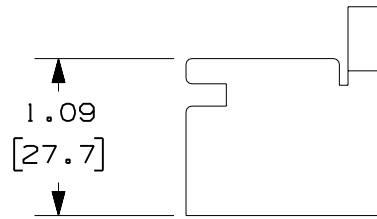
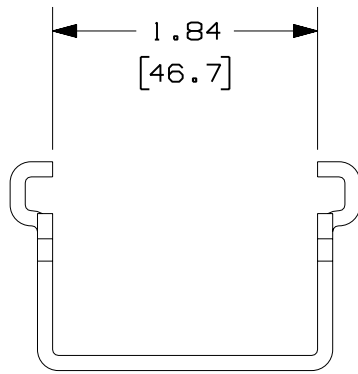
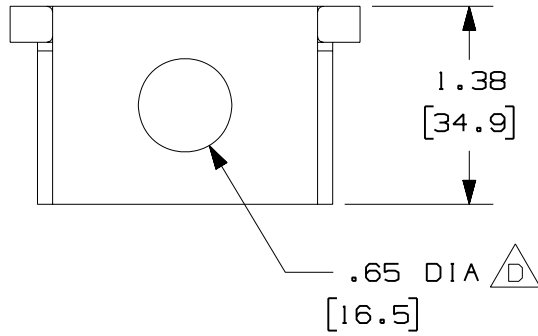
THIS COPY IS PROVIDED ON A RESTRICTED BASIS AND IS NOT TO BE USED IN ANY WAY DETRIMENTAL TO THE INTERESTS OF PANDUIT CORP.

PANDUIT P/N	WEIGHT
FRAFC58	0.55 LB/EACH (251g/EACH)



△ E NOTES:

1. SEE CURRENT CATALOG FOR ADDITIONAL PART SUFFIXES TO INDICATE PACKAGE QUANTITY.
2. THE FIBER ROUTING AUXILIARY FRAMING CLIP KIT ALLOWS FOR 5/8" THREADED ROD TO BE MOUNTED BETWEEN TWO (2) SECTIONS OF 2"x9/16"x3/16" AUXILIARY FRAMING CHANNEL.
3. THE FIBER ROUTING AUXILIARY FRAMING CLIP KIT INCLUDES:
TWO (2) AUXILIARY FRAMING CLIPS,
TWO (2) 5/8-11 HELICAL SPRING LOCKWASHERS,
TWO (2) 5/8-11 HEAVY HEX NUTS.
4. FINISH COLOR: BLACK (EXCEPT FOR HARDWARE).
5. DIMENSIONS IN PARENTHESES ARE IN METRIC.



ENG. REF.: D38879BC_DC_FRAFC58_01.prt

CAD FILENAME/LAYERS: FRAFC58.pdf

PANDUIT CORP TINLEY PARK, ILLINOIS
FIBER ROUTING AUXILIARY FRAMING CLIP - 5/8" THREADED ROD (FRAFC58)
 CUSTOMER DRAWING

UNLESS OTHERWISE SPECIFIED, DIMENSIONAL TOLERANCES ARE:
 (.X) ± (.XXX) ±
 (.XX) ± .03 (.8) ANGLES ±

UNLESS OTHERWISE SPECIFIED, ALL DIMENSIONS ARE GIVEN IN INCHES, THIRD ANGLE PROJECTION.

-	-----	---	--	E. REVISED GENERAL NOTES. D. ADDED DIMENSION.	-----	--	--				
2	8-2-06	MSO	RN	C. REVISED PART WEIGHT. B. REVISED DRAWING TITLE.	38879-04	RN	RN				
1	7-15-04	MSO	RPA	A. REVISED DRAWING TITLE.	38879-04	RN	RN				
R	5-12-04	MSO	RPA	RELEASED TO PRODUCTION	38879-04	RN	RN				
REV	DATE	BY	CHK	DESCRIPTION	ECN	- R	CUST	SUP	GMBH		

DRAWN BY: MSO	MAT'L: STEEL	SCALE: NONE
DATE: 5-12-04		DRAWING NO.: 38879-04
CHK'D: RPA		DWG SIZE: A

X-ON Electronics

Largest Supplier of Electrical and Electronic Components

Click to view similar products for [Racks & Rack Cabinet Accessories](#) category:

Click to view products by [Panduit](#) manufacturer:

Other Similar products are found below :

[M00-PLN](#) [F2424](#) [8351-832-A-24](#) [9104](#) [9105](#) [PLFF2000](#) [H-9163-B](#) [1427C3](#) [HTS10](#) [PC-79](#) [SC10-3A](#) [SC4-28](#) [CG3-340S/12](#) [CP-001BK](#)
[M6123-4007-SS](#) [TS170](#) [LP40](#) [5261304-07](#) [CG3-160G](#) [7112C-PLN](#) [ALUM](#) [CM10](#) [8610-3124-S-26](#) [TS81](#) [7142](#) [GP134](#) [M6125-4007-A-24](#)
[M6127-4007-SS](#) [PBCOVER](#) [512](#) [AEG-4000G](#) [AEG-3000G](#) [HD99](#) [SR2-66A2](#) [FP10B4HP-1](#) [SR16-66A2](#) [FP52-2](#) [1406-1006-01](#) [29478](#)
[TS2535](#) [TS169-6](#) [CAC2](#) [HA19-3U](#) [BR-19-10-1](#) [TS180](#) [CG3-ESD](#) [SC11-1](#) [CFS-1.00/2.20](#) [AX6145WM](#) [HEC0800PB](#) [ZC633R](#)