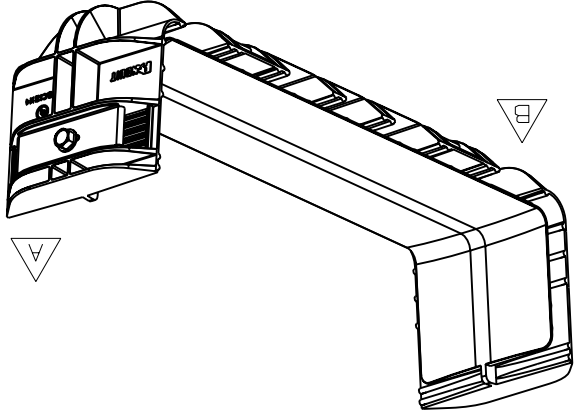
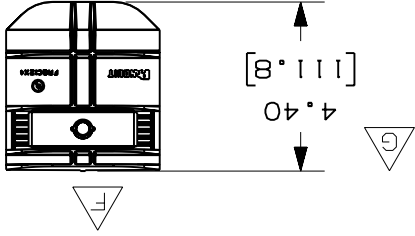
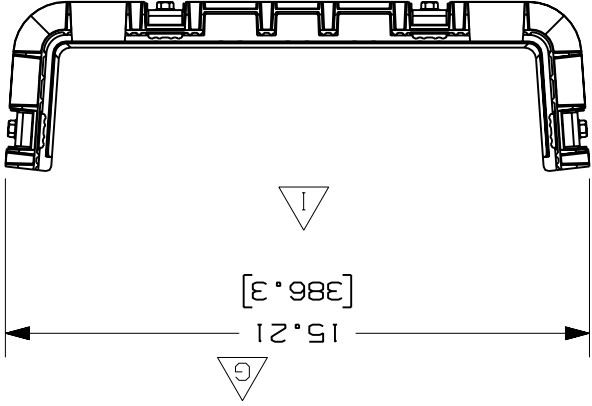
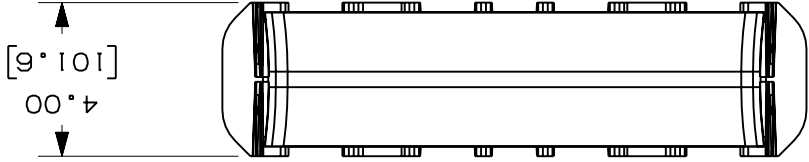


PANDUIT PART NUMBER	FRBC12X4
WEIGHT	1.18 LB/EACH (532g/EACH)

NOTES:

1. SEE CURRENT CATALOG FOR ADDITIONAL PART SUFFIXES TO INDICATE COLOR AND/OR PACKAGE QUANTITY.
2. DIMENSIONS IN PARENTHESES ARE IN METRIC.

△E △C △A



ENG. REF.: D37617DT-DC-FRBC12X4-03.prt

CAD FILENAME/LAYERS

△D FRBC12X4.pdf

PANDUIT
CORP
TINLEY PARK, ILLINOIS

FIBERRUNNER 12X4 QUICKLOCK
COUPLER (FRBC12X4)
CUSTOMER DRAWING

UNLESS OTHERWISE SPECIFIED,
DIMENSIONAL TOLERANCES ARE:
(.XX) ±.03 (.8)
(.XXX) ±
ANGLES ±
INCHES, THIRD ANGLE PROJECTION,
UNLESS OTHERWISE SPECIFIED.

SCALE NONE

DRAWING NO. 37617-78
DWG
SIZE A

REV	DATE	BY	CHK	DESCRIPTION	ECN	R	CUST	SUP	GMBH	CHK'D	DJWA
R	1-3-01	JHNU	DJWA	RELEASED TO PRODUCTION	37617-78	HIW	HIW			DATE	1-3-01
1	1-30-02	JHNU	DJWA	A. REVISED PART GEOMETRY	37617-78	HIW	HIW			DRAWN BY	JHNU
2	1-9-04	JHNU	DJWA	B. REVISED PART GEOMETRY C. REVISED PART WEIGHT	37617-78	RN	RN			MAT'L:	ABS AND STEEL
3	7-10-06	DTP	RN	D. REVISED CAD FILENAME E. REVISED PART WEIGHT	37617-78	RN	RN			SCALE	NONE
-	-	-	-	F. ADDED RIGHT SIDE VIEW G. RELOCATED DIMENSIONS	-	-	-			DRAWING NO.	37617-78
-	-	-	-	H. REVISED MATERIAL I. REMOVED DIMENSION	-	-	-			SIZE	A

X-ON Electronics

Largest Supplier of Electrical and Electronic Components

Click to view similar products for [Fiber Optic Cables](#) category:

Click to view products by [Panduit](#) manufacturer:

Other Similar products are found below :

[FPD01SBS200](#) [FPD06SCC200](#) [FPT01SBS200](#) [FQZ-12-10](#) [FXL12D5-5F40](#) [FXO12D5-5F10Y](#) [FXO12D5-5F19Y](#) [B96566](#) [FPDK01SCC100](#)
[HFBR-RSD005Z](#) [FX2ELQ1Q1SNM4.5](#) [FX2ELQ1Q1SNM5.5](#) [FX2ELQ1Q1SNM6.5](#) [FX2ELQ1Q1SNM7.5](#) [FX2ELQ1Q1SNM8.5](#)
[FX2ELQ1Q1SNM9.5](#) [FX8RL7NQSVM1.5](#) [FX8RL8NQSVM1.5](#) [FX8RL7NQSVM2.5](#) [FX8RL8NQSVM2.5](#) [FX8RL7NQSVM3.5](#)
[FX8RL8NQSVM3.5](#) [FX8RL7NQSVM4.5](#) [FX8RL8NQSVM4.5](#) [F98RL5NQSQNM1.5](#) [F98RL6NQSQNM1.5](#) [F98RL5NQSQNM2.5](#)
[F98RL6NQSQNM2.5](#) [F98RL5NQSQNM3.5](#) [F98RL6NQSQNM3.5](#) [F98RL5NQSQNM4.5](#) [F98RL6NQSQNM4.5](#) [FZ8RL7NQSVM1.5](#)
[FZ8RL8NQSVM1.5](#) [FZ8RL7NQSVM2.5](#) [FZ8RL8NQSVM2.5](#) [FZ8RL7NQSVM3.5](#) [FZ8RL8NQSVM3.5](#) [FZ8RL7NQSVM4.5](#)
[FZ8RL8NQSVM4.5](#) [F9TRL5NQSSNM1.5](#) [F9TRL5NQSSNM2.5](#) [F9TRL5NQSSNM3.5](#) [F9TRL5NQSSNM4.5](#) [F9TRL6NQSSNM1.5](#)
[F9TRL6NQSSNM2.5](#) [F9TRL6NQSSNM3.5](#) [F9TRL6NQSSNM4.5](#) [FXTRL8NQSONM1.5](#) [FZTRL8NQSONM1.5](#)