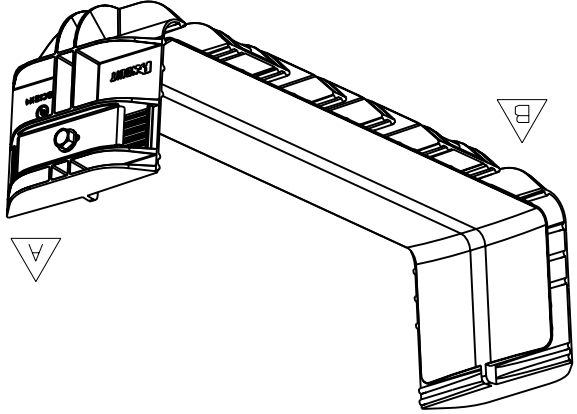
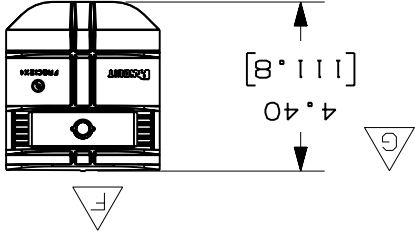
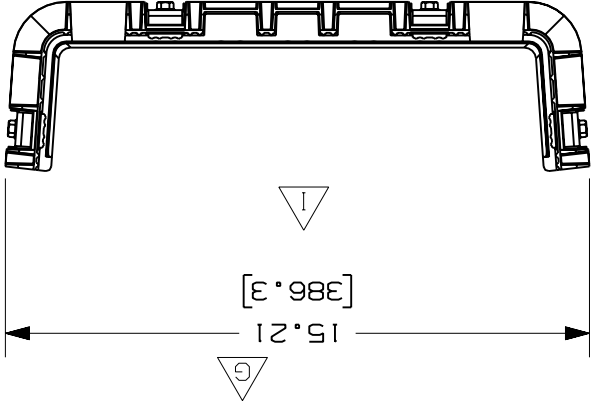
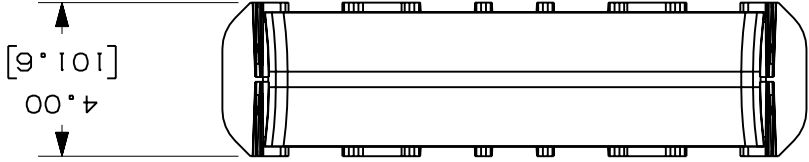


PANDUIT PART NUMBER	FRBC12X4
WEIGHT	1.18 LB/EACH (532g/EACH)

NOTES:

1. SEE CURRENT CATALOG FOR ADDITIONAL PART SUFFIXES TO INDICATE COLOR AND/OR PACKAGE QUANTITY.
2. DIMENSIONS IN PARENTHESES ARE IN METRIC.

△E △C △A



ENG. REF.: D37617DT-DC-FRBC12X4-03.prt

CAD FILENAME/LAYERS

△D FRBC12X4.pdf

PANDUIT
CORP
TINLEY PARK, ILLINOIS

FIBERRUNNER 12X4 QUICKLOCK
COUPLER (FRBC12X4)
CUSTOMER DRAWING

UNLESS OTHERWISE SPECIFIED,
DIMENSIONAL TOLERANCES ARE:
(.XX) ±.03 (.8)
(.XXX) ±
ANGLES ±
INCHES, THIRD ANGLE PROJECTION.

SCALE
NONE

REV	DATE	BY	CHK	DESCRIPTION	ECN	R	CUST	SUP	GMBH	CHK'D	DJWA
R	1-3-01	JHNU	DJWA	RELEASED TO PRODUCTION	37617-78	HIW	HIW			DATE	1-3-01
1	1-30-02	JHNU	DJWA	A. REVISED PART GEOMETRY	37617-78	HIW	HIW			DRAWN BY	JHNU
2	1-9-04	JHNU	DJWA	B. REVISED PART GEOMETRY C. REVISED PART WEIGHT	37617-78	RN	RN			MAT'L:	ABS AND STEEL
3	7-10-06	DTP	RN	D. REVISED CAD FILENAME E. REVISED PART WEIGHT	37617-78	RN	RN			DWG	37617-78
-	-	-	-	F. ADDED RIGHT SIDE VIEW G. RELOCATED DIMENSIONS	-	-	-			SIZE	A
-	-	-	-	H. REVISED MATERIAL I. REMOVED DIMENSION	-	-	-				

X-ON Electronics

Largest Supplier of Electrical and Electronic Components

Click to view similar products for [Wire Ducting](#) category:

Click to view products by [Panduit](#) manufacturer:

Other Similar products are found below :

[66200A-10](#) [CVED32VEPG](#) [CVED40VEPG](#) [F512D5-5F140Y](#) [F512D5-5F200Y](#) [F512D5-5F26Y](#) [F512D5-5F30Y](#) [F512D5-5F33Y](#) [F512D5-5F34Y](#) [F512D5-5F45Y](#) [F512D5-5F50Y](#) [F512D5-5F54Y](#) [F512D5-5F66Y](#) [F512D5-5F70Y](#) [F512D5-5F75Y](#) [F512D5-5F90Y](#) [F612D5-5F100Y](#) [F612D5-5F130Y](#) [F612D5-5F50Y](#) [F612D5-5F56Y](#) [F612D5-5F58Y](#) [F6L12D5-5F46](#) [F912D5-5F11Y](#) [F912D5-5F170Y](#) [F912D5-5F175Y](#) [F912D5-5F230Y](#) [F912D5-5F300Y](#) [F912D5-5F55Y](#) [F912D5-5F56Y](#) [F912D5-5F63Y](#) [F912D5-5F6Y](#) [F912D5-5F75Y](#) [F912D5-5F85Y](#) [F912D5-5F86Y](#) [F912D5-5F88Y](#) [F912D5-5F96Y](#) [FAP0047WBLMTP](#) [FAP12WBRDRDDLZ](#) [FAP12WDYLYLDLZ](#) [FAP12WEORORDLZ](#) [FAP6WEORORDLZ](#) [FAP6WFDBDBDLZ](#) [FAP8WEORORDLZ](#) [FCE2UWCL](#) [800A-LB](#) [802A-ECSP](#) [802I-ICSP](#) [FJQADH](#) [FJQFXT](#) [PED10](#)