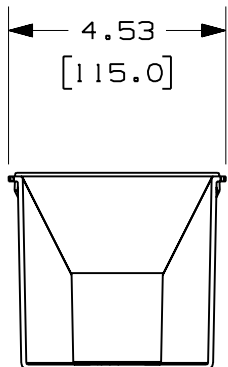
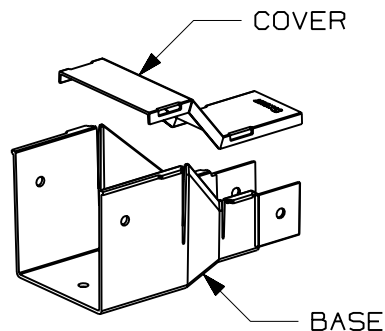


PANDUIT PART NUMBER	WEIGHT
FRF42	0.42 LB/EACH (190g/EACH)



NOTES:

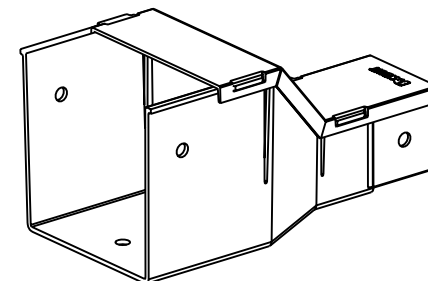
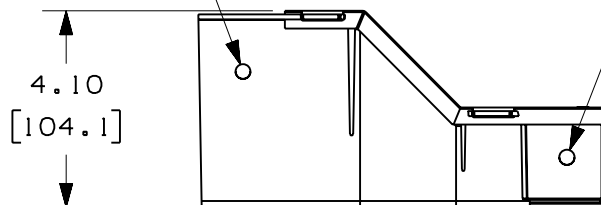
- SEE CURRENT CATALOG FOR ADDITIONAL PART SUFFIXES TO INDICATE COLOR AND/OR PACKAGE QUANTITY.
- DIMENSIONS IN PARENTHESES ARE IN METRIC.



3x .31 DIA
[7.9]

4.10
[104.1]

3x .32 DIA
[8.1]



ENG. REF.: D35245BS_DC_FRF42_03.prt

CAD FILENAME/LAYERS

F FRF42.pdf

PANDUIT CORP TINLEY PARK, ILLINOIS
FIBER-DUCT 4x4 TO FIBER-DUCT 2x2 AND FIBERRUNNER 2x2 REDUCER (FRF42)
 CUSTOMER DRAWING

UNLESS OTHERWISE SPECIFIED, DIMENSIONAL TOLERANCES ARE:
 (.X) ± (.XXX) ±
 (.XX) ± .03 (.8) ANGLES ±

UNLESS OTHERWISE SPECIFIED, ALL DIMENSIONS ARE GIVEN IN INCHES, THIRD ANGLE PROJECTION.

DRAWN BY: JBA
 DATE: 12-12-96
 CHK'D: CEF

MAT'L: ABS

SCALE: NONE
 DRAWING NO.: 35245-19
 DWG SIZE: A

REV	DATE	BY	CHK	DESCRIPTION	ECN	R	CUST	SUP	GMBH
-	-----	---	---	I. REVISED MATERIAL. H. REVISED PART WEIGHT	-----	--	--		
-	-----	---	---	G. REVISED GENERAL NOTES F. REVISED CAD FILENAME	-----	--	--		
3	7-10-06	DTP	RN	E. REVISED DRAWING TITLE D. REVISED AND REDRAWN	35245-19	RN	RN		

X-ON Electronics

Largest Supplier of Electrical and Electronic Components

Click to view similar products for [Wire Ducting](#) category:

Click to view products by [Panduit](#) manufacturer:

Other Similar products are found below :

[66200A-10](#) [CVED32VEPG](#) [CVED40VEPG](#) [F512D5-5F140Y](#) [F512D5-5F200Y](#) [F512D5-5F26Y](#) [F512D5-5F30Y](#) [F512D5-5F33Y](#) [F512D5-5F34Y](#) [F512D5-5F45Y](#) [F512D5-5F50Y](#) [F512D5-5F54Y](#) [F512D5-5F66Y](#) [F512D5-5F70Y](#) [F512D5-5F75Y](#) [F512D5-5F90Y](#) [F612D5-5F100Y](#) [F612D5-5F130Y](#) [F612D5-5F50Y](#) [F612D5-5F56Y](#) [F612D5-5F58Y](#) [F6L12D5-5F46](#) [F912D5-5F11Y](#) [F912D5-5F170Y](#) [F912D5-5F175Y](#) [F912D5-5F230Y](#) [F912D5-5F300Y](#) [F912D5-5F55Y](#) [F912D5-5F56Y](#) [F912D5-5F63Y](#) [F912D5-5F6Y](#) [F912D5-5F75Y](#) [F912D5-5F85Y](#) [F912D5-5F86Y](#) [F912D5-5F88Y](#) [F912D5-5F96Y](#) [FAP0047WBLMTP](#) [FAP12WBRDRDDLZ](#) [FAP12WDYLYLDLZ](#) [FAP12WEORORDLZ](#) [FAP6WEORORDLZ](#) [FAP6WFDBDBDLZ](#) [FAP8WEORORDLZ](#) [FCE2UWCL](#) [800A-LB](#) [802A-ECSP](#) [802I-ICSP](#) [FJQADH](#) [FJQFXT](#) [PED10](#)