

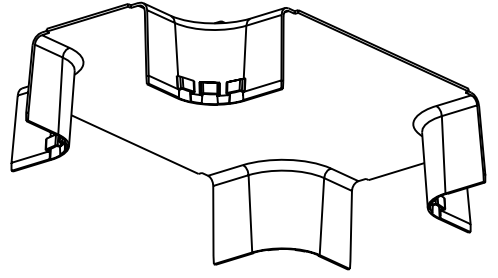
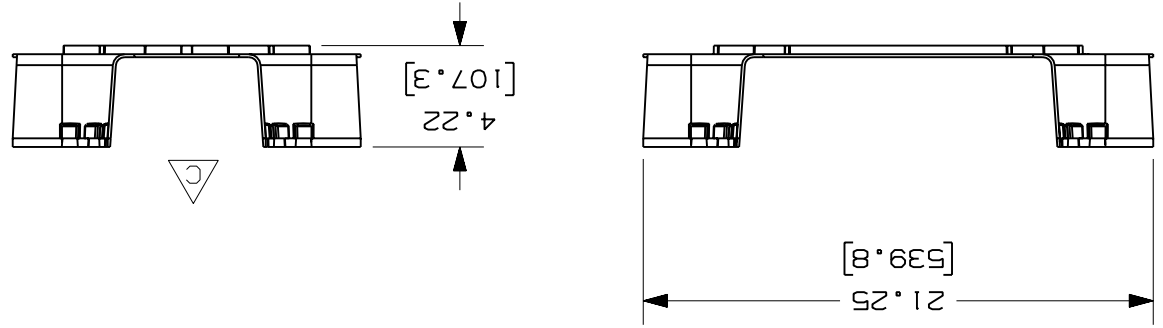
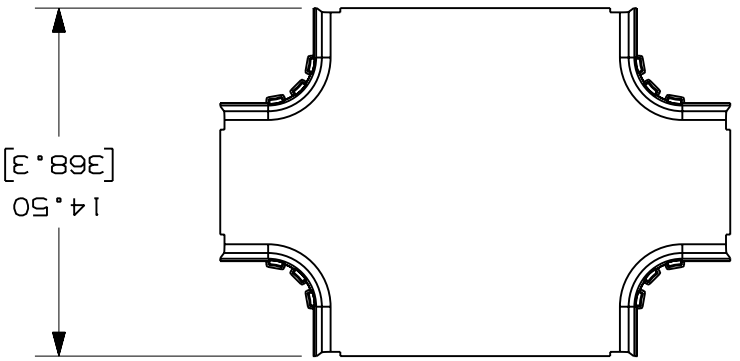
PANDUIT PART NUMBER	FRFWC12X4W6
WEIGHT	2.05 LB/EACH (929g/EACH)



NOTES:

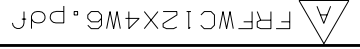


1. SEE CURRENT CATALOG FOR ADDITIONAL PART SUFFIXES TO INDICATE COLOR AND/OR PACKAGE QUANTITY.
2. THE FIBERRUNNER 12x4 FOUR-WAY CROSS WITH 6" EXITS IS DESIGNED WITH A MINIMUM 2" (50.8) BEND RADIUS TO PROTECT FIBER OPTIC CABLES.
3. DIMENSIONS IN PARENTHESES ARE IN METRIC.



ENG. REF.: D37617CA_DC_FRFWC12X4W6-01.prt

CAD FILENAME/LAYERS



FRFWC12X4W6.ppt

PANDUIT
CORP
TINLEY PARK, ILLINOIS

FIBERRUNNER 12x4 FOUR-WAY CROSS WITH 6" EXITS (FRFWC12X4W6)
CUSTOMER DRAWING

UNLESS OTHERWISE SPECIFIED, DIMENSIONAL TOLERANCES ARE:
(.XX) ±.03 (.8)
(.XXX) ±.005
(.X) ±.003 (.8)
UNLESS OTHERWISE SPECIFIED, ALL DIMENSIONS ARE GIVEN IN INCHES, THIRD ANGLE PROJECTION.

SCALE NONE

REV	DATE	BY	CHK	DESCRIPTION	ECN	R	CUST	SUP	GMBH	CHK'D	HIM
R	1-3-01	JHNU	CEO	RELEASED TO PRODUCTION	37617-75	HIW	HIW				1-3-01
1	6-28-06	DTP	RN	A. REVISED CAD FILENAME B. REVISED PART WEIGHT C. ADDED RIGHT SIDE VIEW D. REVISED GENERAL NOTES	37617-75	RN	RN				JHNU

SIZE	37617-75
DWG	ABS

X-ON Electronics

Largest Supplier of Electrical and Electronic Components

Click to view similar products for [Wire Ducting](#) category:

Click to view products by [Panduit](#) manufacturer:

Other Similar products are found below :

[66200A-10](#) [CVED32VEPG](#) [CVED40VEPG](#) [F512D5-5F140Y](#) [F512D5-5F200Y](#) [F512D5-5F26Y](#) [F512D5-5F30Y](#) [F512D5-5F33Y](#) [F512D5-5F34Y](#) [F512D5-5F45Y](#) [F512D5-5F50Y](#) [F512D5-5F54Y](#) [F512D5-5F66Y](#) [F512D5-5F70Y](#) [F512D5-5F75Y](#) [F512D5-5F90Y](#) [F612D5-5F100Y](#) [F612D5-5F130Y](#) [F612D5-5F50Y](#) [F612D5-5F56Y](#) [F612D5-5F58Y](#) [F6L12D5-5F46](#) [F912D5-5F11Y](#) [F912D5-5F170Y](#) [F912D5-5F175Y](#) [F912D5-5F230Y](#) [F912D5-5F300Y](#) [F912D5-5F55Y](#) [F912D5-5F56Y](#) [F912D5-5F63Y](#) [F912D5-5F6Y](#) [F912D5-5F75Y](#) [F912D5-5F85Y](#) [F912D5-5F86Y](#) [F912D5-5F88Y](#) [F912D5-5F96Y](#) [FAP0047WBLMTP](#) [FAP12WBRDRDDLZ](#) [FAP12WDYLYLDLZ](#) [FAP12WEORORDLZ](#) [FAP6WEORORDLZ](#) [FAP6WFDBDBDLZ](#) [FAP8WEORORDLZ](#) [FCE2UWCL](#) [800A-LB](#) [802A-ECSP](#) [802I-ICSP](#) [FJQADH](#) [FJQFXT](#) [PED10](#)