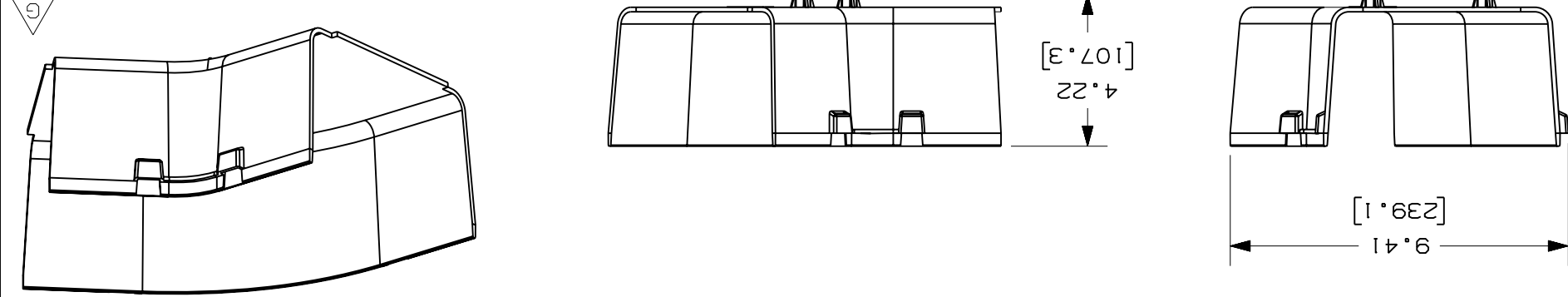


REV	DATE	BY	CHK	DESCRIPTION	ECN	R	CUST	SUP	GMBH	HIM
3	6-29-06	DTP	RN	G. REVISED AND REDRAWN	37686-05	RN	RN			8-18-00
-	-	-	-	H. REVISED DRAWING TITLE	-	-	-	-	-	JHNU
-	-	-	-	I. REVISED CAD FILENAME	-	-	-	-	-	
-	-	-	-	J. REVISED PART WEIGHT	-	-	-	-	-	
-	-	-	-	K. REVISED GENERAL NOTES	-	-	-	-	-	

CAD FILENAME/LAYERS I FRH456X4.ppt

ENG. REF.: D37686BF\_DC\_FRH456X4\_02.ppt



1. SEE CURRENT CATALOG FOR ADDITIONAL PART SUFFIXES TO INDICATE COLOR AND/OR PACKAGE QUANTITY.
2. THE FIBERRUNNER 6x4 HORIZONTAL 45° ANGLE FITTING IS DESIGNED WITH A MINIMUM 2" (50.8) BEND RADIUS TO PROTECT FIBER OPTIC CABLES.
3. DIMENSIONS IN PARENTHESES ARE IN METRIC.

PANDUIT PART NUMBER	FRH456X4
	0.69 LB/EACH (314g/EACH)
WEIGHT	

NOTES:



SIZE A

37686-05

ABS

NONE

UNLESS OTHERWISE SPECIFIED,  
ALL DIMENSIONS ARE GIVEN IN  
INCHES, THIRD ANGLE PROJECTION.

UNLESS OTHERWISE SPECIFIED,  
DIMENSIONAL TOLERANCES ARE:  
(.XX) ±.03 (.8)  
(.XXX) ±  
(.X) ±.03 (.8)

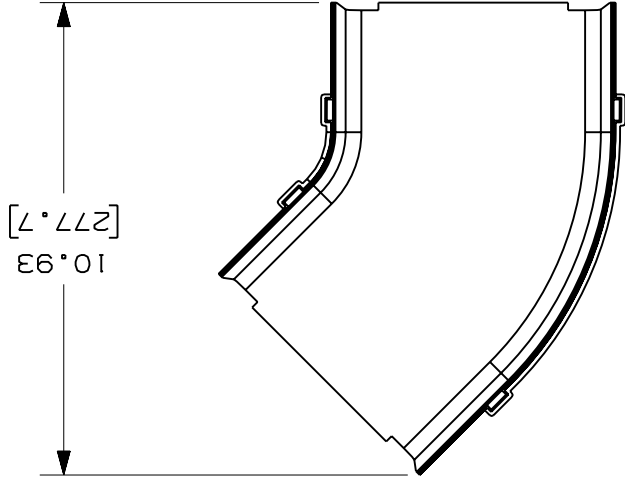
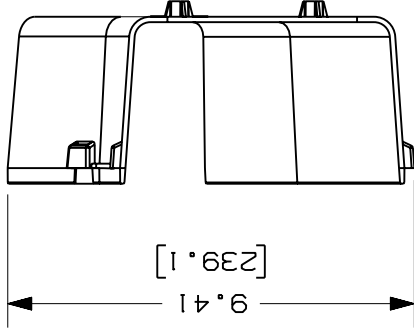
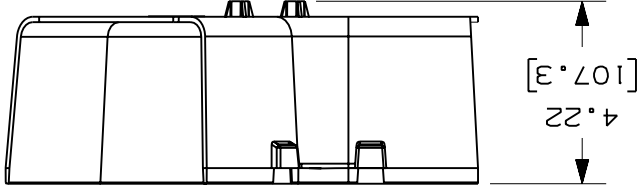
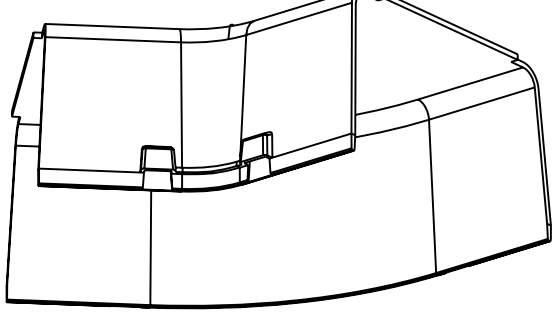
PANDUIT  
CORP  
TINLEY PARK, ILLINOIS

FIBERRUNNER 6x4 HORIZONTAL 45°  
ANGLE FITTING (FRH456X4)

CUSTOMER DRAWING

SCALE NONE

DRAWING NO. 37686-05



## X-ON Electronics

Largest Supplier of Electrical and Electronic Components

*Click to view similar products for [Wire Ducting](#) category:*

*Click to view products by [Panduit](#) manufacturer:*

Other Similar products are found below :

[66200A-10](#) [CVED32VEPG](#) [CVED40VEPG](#) [F512D5-5F140Y](#) [F512D5-5F200Y](#) [F512D5-5F26Y](#) [F512D5-5F30Y](#) [F512D5-5F33Y](#) [F512D5-5F34Y](#) [F512D5-5F45Y](#) [F512D5-5F50Y](#) [F512D5-5F54Y](#) [F512D5-5F66Y](#) [F512D5-5F70Y](#) [F512D5-5F75Y](#) [F512D5-5F90Y](#) [F612D5-5F100Y](#) [F612D5-5F130Y](#) [F612D5-5F50Y](#) [F612D5-5F56Y](#) [F612D5-5F58Y](#) [F6L12D5-5F46](#) [F912D5-5F11Y](#) [F912D5-5F170Y](#) [F912D5-5F175Y](#) [F912D5-5F230Y](#) [F912D5-5F300Y](#) [F912D5-5F55Y](#) [F912D5-5F56Y](#) [F912D5-5F63Y](#) [F912D5-5F6Y](#) [F912D5-5F75Y](#) [F912D5-5F85Y](#) [F912D5-5F86Y](#) [F912D5-5F88Y](#) [F912D5-5F96Y](#) [FAP0047WBLMTP](#) [FAP12WBRDRDDLZ](#) [FAP12WDYLYLDLZ](#) [FAP12WEORORDLZ](#) [FAP6WEORORDLZ](#) [FAP6WFDBDBDLZ](#) [FAP8WEORORDLZ](#) [FCE2UWCL](#) [800A-LB](#) [802A-ECSP](#) [802I-ICSP](#) [FJQADH](#) [FJQFXT](#) [PED10](#)