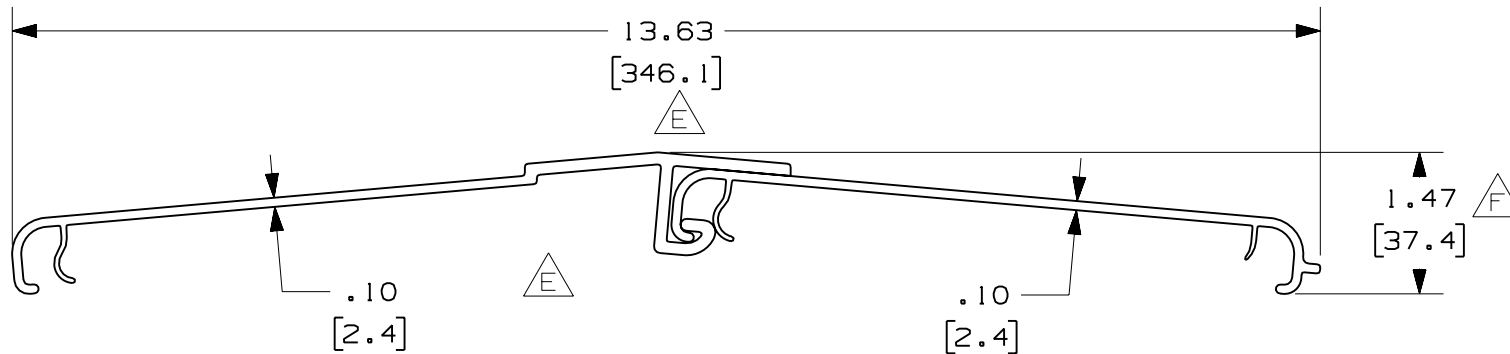


$\triangle D$ PANDUIT PART NUMBER	LENGTH	WEIGHT	WEIGHT/LENGTH
FRHC12**2 (SEE NOTE 1)	78.74 IN $\pm$ .18 IN (2000.0mm $\pm$ 4.6mm)	8.33 LB (3778g)	1.27 LB/FT (18.9g/cm)
FRHC12**6 (SEE NOTE 1)	72.00 IN $\pm$ .18 IN (1828.8mm $\pm$ 4.6mm)	7.62 LB (3456g)	1.27 LB/FT (18.9g/cm)

**NOTES:**

- SEE CURRENT CATALOG FOR ADDITIONAL PART SUFFIXES TO INDICATE COLOR AND/OR PACKAGE QUANTITY.
- DIMENSIONS IN PARENTHESES ARE IN METRIC.



$\triangle A$  ENG. REF.: D37689BE\_DC\_FRHC12\_01.prt

CAD FILENAME/LAYERS  $\triangle C$  FRHC12.pdf

**PANDUIT** CORP TINLEY PARK, ILLINOIS  
**FIBERRUNNER 12x4 SNAP-ON HINGED COVER (FRHC12\*\*2, FRHC12\*\*6)**  
 $\triangle B$  CUSTOMER DRAWING

UNLESS OTHERWISE SPECIFIED, DIMENSIONAL TOLERANCES ARE:  
 (.X)  $\pm$  (.XXX)  $\pm$   
 (.XX)  $\pm$ .03 (0.8) ANGLES  $\pm$

UNLESS OTHERWISE SPECIFIED, ALL DIMENSIONS ARE GIVEN IN INCHES, THIRD ANGLE PROJECTION.

REV	DATE	BY	CHK	DESCRIPTION	ECN	R	CUST	SUP	GMBH
-	-----	---	---	F. RELOCATED DIMENSION	-----	---	---		
-	-----	---	---	E. REMOVED DIMENSIONS D. REVISED ENTIRE CHART	-----	---	---		
2	7-20-06	DTP	RN	C. REVISED CAD FILENAME B. REVISED DRAWING TITLE	37689-06	RN	RN		
1	6-20-01	JHNU	HIW	A. REVISED FILENAME: CONVERTED TO PDF FILE	37689-06	HIW	HIW		
R	10-5-00	JHNU	RCRO	RELEASED TO PRODUCTION	37689-06	HIW	HIW		

DRAWN BY: JHNU  
 DATE: 10-5-00  
 CHK'D: RCRO

MAT'L: PVC

SCALE: NONE  
 DRAWING NO.: 37689-06  
 DWG SIZE: A

## X-ON Electronics

Largest Supplier of Electrical and Electronic Components

*Click to view similar products for [Wire Ducting](#) category:*

*Click to view products by [Panduit](#) manufacturer:*

Other Similar products are found below :

[66200A-10](#) [CVED32VEPG](#) [CVED40VEPG](#) [F512D5-5F140Y](#) [F512D5-5F200Y](#) [F512D5-5F26Y](#) [F512D5-5F30Y](#) [F512D5-5F33Y](#) [F512D5-5F34Y](#) [F512D5-5F45Y](#) [F512D5-5F50Y](#) [F512D5-5F54Y](#) [F512D5-5F66Y](#) [F512D5-5F70Y](#) [F512D5-5F75Y](#) [F512D5-5F90Y](#) [F612D5-5F100Y](#) [F612D5-5F130Y](#) [F612D5-5F50Y](#) [F612D5-5F56Y](#) [F612D5-5F58Y](#) [F6L12D5-5F46](#) [F912D5-5F11Y](#) [F912D5-5F170Y](#) [F912D5-5F175Y](#) [F912D5-5F230Y](#) [F912D5-5F300Y](#) [F912D5-5F55Y](#) [F912D5-5F56Y](#) [F912D5-5F63Y](#) [F912D5-5F6Y](#) [F912D5-5F75Y](#) [F912D5-5F85Y](#) [F912D5-5F86Y](#) [F912D5-5F88Y](#) [F912D5-5F96Y](#) [FAP0047WBLMTP](#) [FAP12WBRDRDDLZ](#) [FAP12WDYLYLDLZ](#) [FAP12WEORORDLZ](#) [FAP6WEORORDLZ](#) [FAP6WFDBDBDLZ](#) [FAP8WEORORDLZ](#) [FCE2UWCL](#) [800A-LB](#) [802A-ECSP](#) [802I-ICSP](#) [FJQADH](#) [FJQFXT](#) [PED10](#)