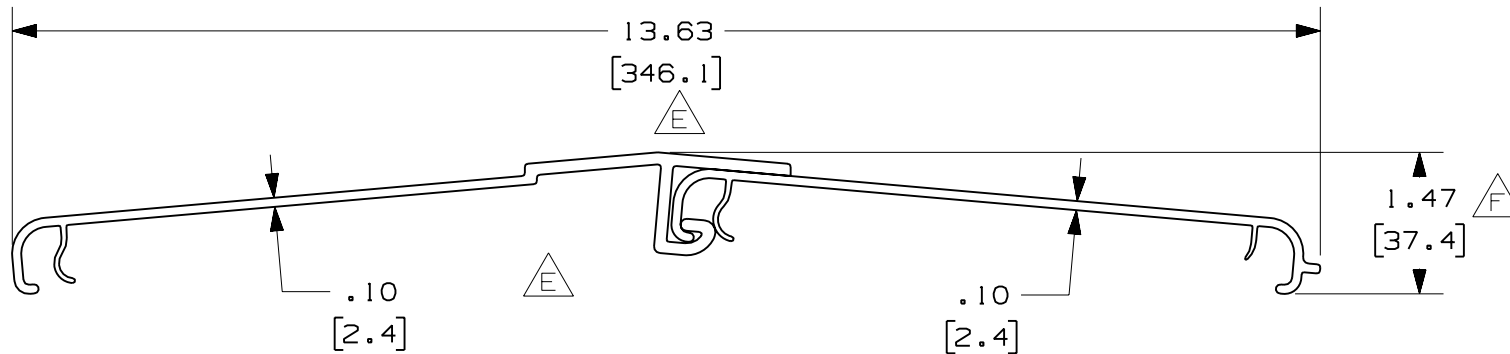


$\triangle D$ PANDUIT PART NUMBER	LENGTH	WEIGHT	WEIGHT/LENGTH
FRHC12**2 (SEE NOTE 1)	78.74 IN $\pm$ .18 IN (2000.0mm $\pm$ 4.6mm)	8.33 LB (3778g)	1.27 LB/FT (18.9g/cm)
FRHC12**6 (SEE NOTE 1)	72.00 IN $\pm$ .18 IN (1828.8mm $\pm$ 4.6mm)	7.62 LB (3456g)	1.27 LB/FT (18.9g/cm)

**NOTES:**

- SEE CURRENT CATALOG FOR ADDITIONAL PART SUFFIXES TO INDICATE COLOR AND/OR PACKAGE QUANTITY.
- DIMENSIONS IN PARENTHESES ARE IN METRIC.



$\triangle A$  ENG. REF.: D37689BE\_DC\_FRHC12\_01.prt

CAD FILENAME/LAYERS  $\triangle C$  FRHC12.pdf

**PANDUIT** CORP TINLEY PARK, ILLINOIS  
**FIBERRUNNER 12x4 SNAP-ON HINGED COVER (FRHC12\*\*2, FRHC12\*\*6)**  
 $\triangle B$  CUSTOMER DRAWING

UNLESS OTHERWISE SPECIFIED, DIMENSIONAL TOLERANCES ARE:  
 (.X)  $\pm$  (.XXX)  $\pm$   
 (.XX)  $\pm$ .03 (0.8) ANGLES  $\pm$

UNLESS OTHERWISE SPECIFIED, ALL DIMENSIONS ARE GIVEN IN INCHES, THIRD ANGLE PROJECTION.

REV	DATE	BY	CHK	DESCRIPTION	ECN	R	CUST	SUP	GMBH
-	-----	---	---	F. RELOCATED DIMENSION	-----	---	---		
-	-----	---	---	E. REMOVED DIMENSIONS D. REVISED ENTIRE CHART	-----	---	---		
2	7-20-06	DTP	RN	C. REVISED CAD FILENAME B. REVISED DRAWING TITLE	37689-06	RN	RN		
1	6-20-01	JHNU	HIW	A. REVISED FILENAME: CONVERTED TO PDF FILE	37689-06	HIW	HIW		
R	10-5-00	JHNU	RCRO	RELEASED TO PRODUCTION	37689-06	HIW	HIW		

DRAWN BY JHNU	MAT'L: PVC	SCALE NONE
DATE 10-5-00		DRAWING NO. 37689-06
CHK'D RCRO		DWG A SIZE

## X-ON Electronics

Largest Supplier of Electrical and Electronic Components

*Click to view similar products for [Wire Ducting & Raceways](#) category:*

*Click to view products by [Panduit](#) manufacturer:*

Other Similar products are found below :

[800A-LB](#) [801I-LSP](#) [802A-ECSP](#) [802I-ICSP](#) [923223-000](#) [PRAF6WH-X](#) [A0405538](#) [1301150342](#) [1301160034](#) [1301170070](#) [1301180011](#)  
[1301230083](#) [1301230153](#) [1301240273](#) [1301250006](#) [1302261238](#) [1302261321](#) [1302262552](#) [1302263103](#) [1302263178](#) [1302263259](#)  
[1302263816](#) [1302263860](#) [1302264375](#) [1302264390](#) [1301150343](#) [1301160030](#) [1301170050](#) [1301170051](#) [1301170061](#) [1301180013](#)  
[1301230086](#) [1301230130](#) [1301240054](#) [1302260055](#) [1302260376](#) [1302261343](#) [1302261344](#) [1302262674](#) [1302263095](#) [1302263166](#)  
[1302263209](#) [1302263513](#) [1302263851](#) [1302263870](#) [1302264137](#) [1302264218](#) [DD1/J](#) [AX102007](#) [AX102411](#)