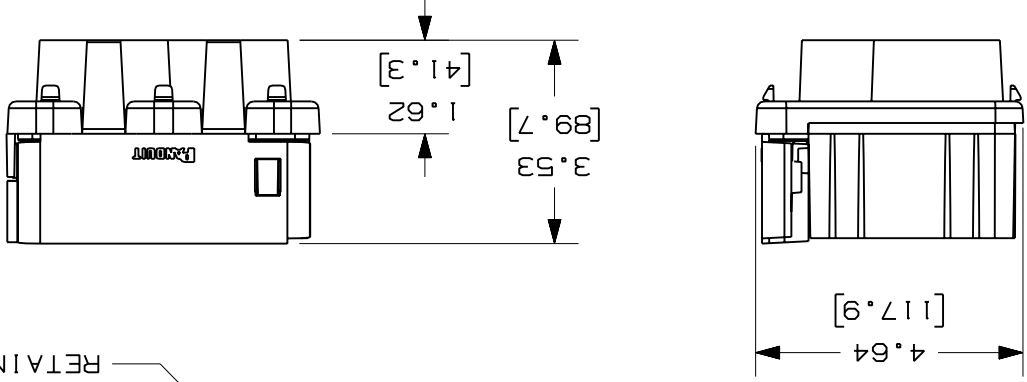
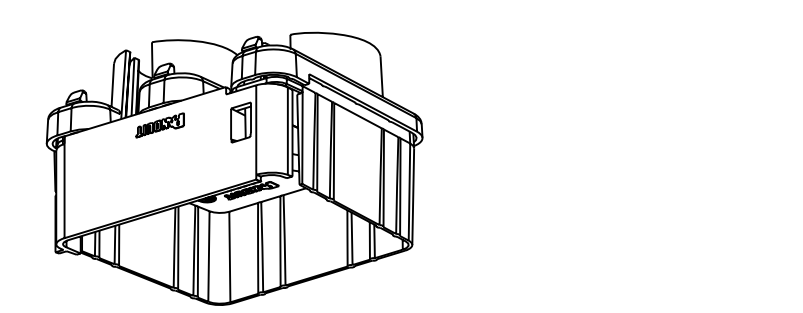


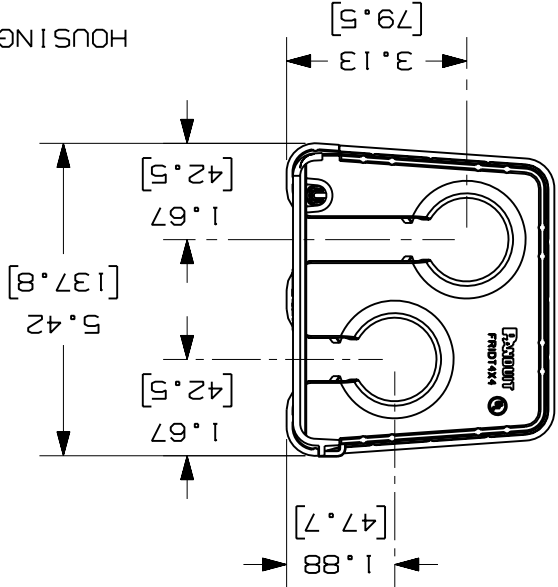
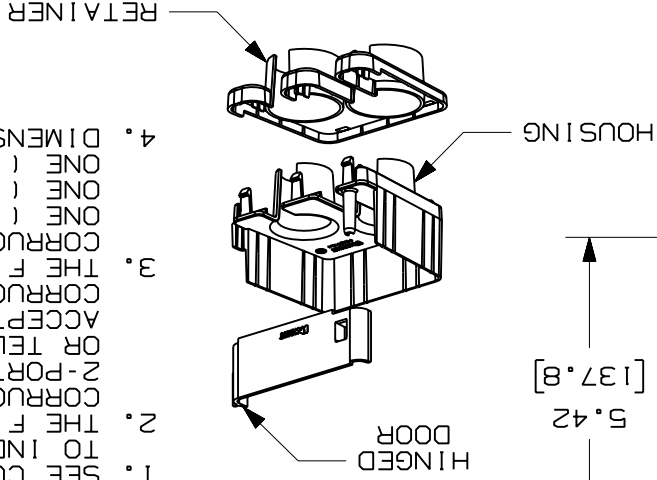
REV	DATE	BY	CHK	DESCRIPTION	ECN	R	CUST	SUP	GMBH	WAB	ABS	DRAWING NO.	SIZE
2	7-6-06	DTP	RN	B. REVISED AND REDRAWN	37847-85	RN	RN			12-27-01		37847-85	A
-	-	-	-	C. REVISED DRAWING TITLE	-	-	-	-	-	M50		NONE	
-	-	-	-	D. REVISED CAD FILENAME	-	-	-	-	-				
-	-	-	-	E. REVISED GENERAL NOTES	-	-	-	-	-				
-	-	-	-	F. REVISED PART WEIGHT	-	-	-	-	-				

CAD FILENAME/LAYERS **D** FRIDT4X4.ppt

ENG. REF.: D37847DH_DC_FRIDT4X4-01.ppt



- SEE CURRENT CATALOG FOR ADDITIONAL PART SUFFIXES TO INDICATE COLOR AND/OR PACKAGE QUANTITY.
- THE FIBERRUNNER 4x4 2-PORT SPILL-OUT TO 1 1/2" I.D. CORRUGATED LOOM TUBING IS USED TO CREATE A 2-PORT FLEXIBLE SPILL-OUT INTO EQUIPMENT FRAMES OR TELECOMMUNICATIONS CABINETS. THE SPILL-OUT ACCEPTS TWO (2) PIECES OF 1 1/2" (38.1) I.D. SLIT CORRUGATED LOOM TUBING (CLT150F-X***, CLT150F-T20) THE FIBERRUNNER 4x4 2-PORT SPILL-OUT TO 1 1/2" I.D. CORRUGATED LOOM TUBING INCLUDES:
- ONE (1) 2-PORT SPILL-OUT HOUSING,
 ONE (1) 2-PORT SPILL-OUT RETAINER,
 ONE (1) 2-PORT SPILL-OUT HINGED DOOR
- DIMENSIONS IN PARENTHESES ARE IN METRIC.



NOTES:

PART NUMBER	WEIGHT
FRIDT4X4	0.51 LB/EACH (230g/EACH)

X-ON Electronics

Largest Supplier of Electrical and Electronic Components

Click to view similar products for [Wire Ducting](#) category:

Click to view products by [Panduit](#) manufacturer:

Other Similar products are found below :

[66200A-10](#) [CVED32VEPG](#) [CVED40VEPG](#) [F512D5-5F140Y](#) [F512D5-5F200Y](#) [F512D5-5F26Y](#) [F512D5-5F30Y](#) [F512D5-5F33Y](#) [F512D5-5F34Y](#) [F512D5-5F45Y](#) [F512D5-5F50Y](#) [F512D5-5F54Y](#) [F512D5-5F66Y](#) [F512D5-5F70Y](#) [F512D5-5F75Y](#) [F512D5-5F90Y](#) [F612D5-5F100Y](#) [F612D5-5F130Y](#) [F612D5-5F50Y](#) [F612D5-5F56Y](#) [F612D5-5F58Y](#) [F6L12D5-5F46](#) [F912D5-5F11Y](#) [F912D5-5F170Y](#) [F912D5-5F175Y](#) [F912D5-5F230Y](#) [F912D5-5F300Y](#) [F912D5-5F55Y](#) [F912D5-5F56Y](#) [F912D5-5F63Y](#) [F912D5-5F6Y](#) [F912D5-5F75Y](#) [F912D5-5F85Y](#) [F912D5-5F86Y](#) [F912D5-5F88Y](#) [F912D5-5F96Y](#) [FAP0047WBLMTP](#) [FAP12WBRDRDDLZ](#) [FAP12WDYLYLDLZ](#) [FAP12WEORORDLZ](#) [FAP6WEORORDLZ](#) [FAP6WFDBDBDLZ](#) [FAP8WEORORDLZ](#) [FCE2UWCL](#) [800A-LB](#) [802A-ECSP](#) [802I-ICSP](#) [FJQADH](#) [FJQFXT](#) [PED10](#)