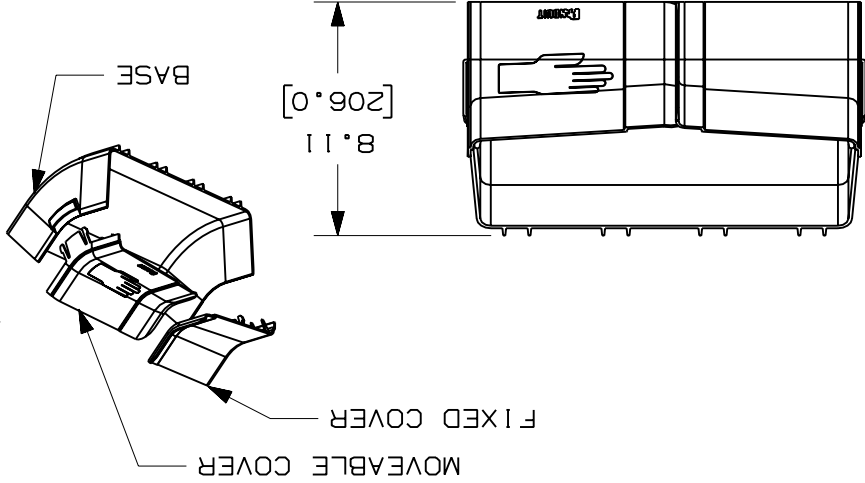


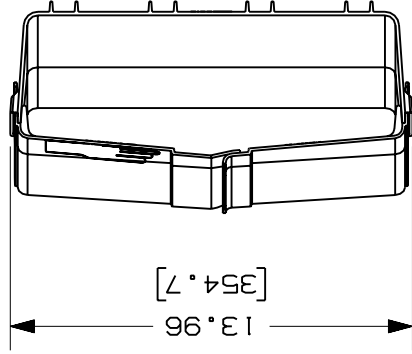
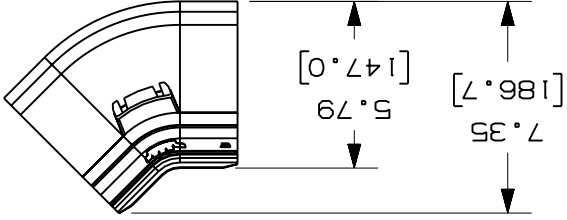
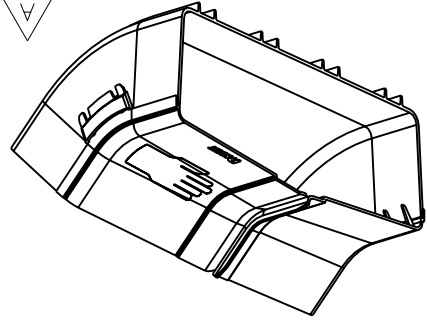
PANDUIT PART NUMBER	FR1V4512X4
WEIGHT	1.39 LB/EACH (631g/EACH)



1. SEE CURRENT CATALOG FOR ADDITIONAL PART SUFFIXES TO INDICATE COLOR AND/OR PACKAGE QUANTITY.
 2. THE FIBERRUNNER 12x4 INSIDE VERTICAL 45° ANGLE FITTING IS DESIGNED WITH A MINIMUM 2" (50.8) BEND RADIUS TO PROTECT FIBER OPTIC CABLES.
 3. THE FIBERRUNNER 12x4 INSIDE VERTICAL 45° ANGLE FITTING INCLUDES:
 ONE (1) INSIDE VERTICAL 45° ANGLE BASE,
 ONE (1) FIXED COVER SECTION,
 ONE (1) MOVEABLE COVER SECTION.
 4. DIMENSIONS IN PARENTHESES ARE IN METRIC.



NOTES:



ENG. REF.: 037617DS-DC-FR1V4512X4-01.prt

CAD FILENAME/LAYERS

FR1V4512X4.pdf

PANDUIT
CORP
TINLEY PARK, ILLINOIS

FIBERRUNNER 12x4 INSIDE VERTICAL
45° ANGLE FITTING (FR1V4512X4)
CUSTOMER DRAWING

UNLESS OTHERWISE SPECIFIED,
DIMENSIONAL TOLERANCES ARE:
(.XX) ±.03 (.8)
(.XXX) ±
INCHES, THIRD ANGLE PROJECTION,
UNLESS OTHERWISE SPECIFIED.

SCALE	NONE
DRAWING NO.	37617-77
DWG	A
SIZE	A

REV	DATE	BY	CHK	DESCRIPTION	ECN	R	CUST	SUP	GMBH	HIM
1	6-30-06	DTP	RN	A. REVISED AND REDRAWN	37617-77	RN	RN			1-3-01
-	-	-	-	B. REVISED DRAWING TITLE	-	-	-	-	-	JHNU
-	-	-	-	C. REVISED CAD FILENAME	-	-	-	-	-	
-	-	-	-	D. REVISED GENERAL NOTES	-	-	-	-	-	
-	-	-	-	E. REVISED PART WEIGHT	-	-	-	-	-	

X-ON Electronics

Largest Supplier of Electrical and Electronic Components

Click to view similar products for [Wire Ducting](#) category:

Click to view products by [Panduit](#) manufacturer:

Other Similar products are found below :

[66200A-10](#) [CVED32VEPG](#) [CVED40VEPG](#) [F512D5-5F140Y](#) [F512D5-5F200Y](#) [F512D5-5F26Y](#) [F512D5-5F30Y](#) [F512D5-5F33Y](#) [F512D5-5F34Y](#) [F512D5-5F45Y](#) [F512D5-5F50Y](#) [F512D5-5F54Y](#) [F512D5-5F66Y](#) [F512D5-5F70Y](#) [F512D5-5F75Y](#) [F512D5-5F90Y](#) [F612D5-5F100Y](#) [F612D5-5F130Y](#) [F612D5-5F50Y](#) [F612D5-5F56Y](#) [F612D5-5F58Y](#) [F6L12D5-5F46](#) [F912D5-5F11Y](#) [F912D5-5F170Y](#) [F912D5-5F175Y](#) [F912D5-5F230Y](#) [F912D5-5F300Y](#) [F912D5-5F55Y](#) [F912D5-5F56Y](#) [F912D5-5F63Y](#) [F912D5-5F6Y](#) [F912D5-5F75Y](#) [F912D5-5F85Y](#) [F912D5-5F86Y](#) [F912D5-5F88Y](#) [F912D5-5F96Y](#) [FAP0047WBLMTP](#) [FAP12WBRDRDDLZ](#) [FAP12WDYLYLDLZ](#) [FAP12WEORORDLZ](#) [FAP6WEORORDLZ](#) [FAP6WFDBDBDLZ](#) [FAP8WEORORDLZ](#) [FCE2UWCL](#) [800A-LB](#) [802A-ECSP](#) [802I-ICSP](#) [FJQADH](#) [FJQFXT](#) [PED10](#)