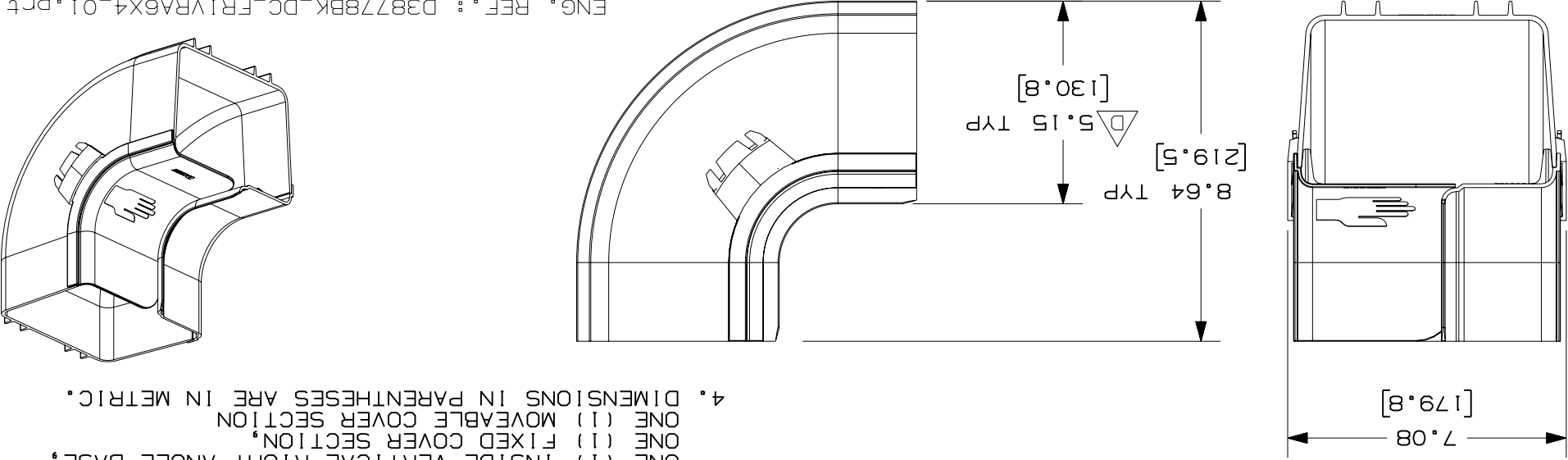
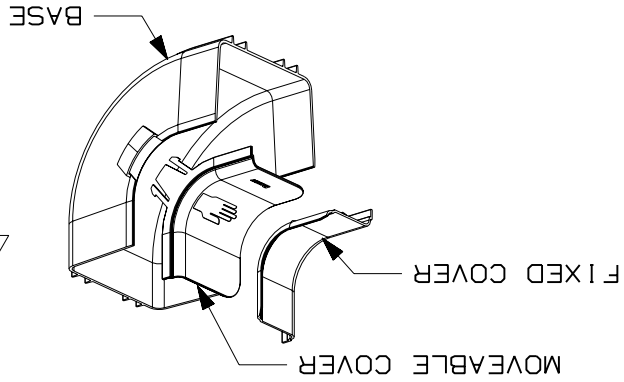


PANDUIT PART NUMBER	FRIVRA6X4
WEIGHT	1.22 LB/EACH 555g/EACH

NOTES:

1. SEE CURRENT CATALOG FOR ADDITIONAL PART SUFFIXES TO INDICATE COLOR AND/OR PACKAGE QUANTITY.
2. THE FIBERRUNNER 6x4 INSIDE VERTICAL RIGHT ANGLE FITTING IS DESIGNED WITH A MINIMUM 2" (50.8) BEND RADIUS TO PROTECT FIBER OPTIC CABLES.
3. THE FIBERRUNNER 6x4 INSIDE VERTICAL RIGHT ANGLE FITTING INCLUDES:  
ONE (1) INSIDE VERTICAL RIGHT ANGLE BASE,  
ONE (1) FIXED COVER SECTION,  
ONE (1) MOVABLE COVER SECTION
4. DIMENSIONS IN PARENTHESES ARE IN METRIC.



ENG. REF.: 038778BK\_DC-FRIVRA6X4-01.prt

CAD FILENAME/LAYERS

FRIVRA6X4.pdf

REV	DATE	BY	CHK	DESCRIPTION	ECN	R	CUST	SUP	GMBH	CHK'D	SMF
R	8-17-04	MSO	SMF	RELEASED TO PRODUCTION	38778-11	RN	RN			8-17-04	SMF
1	7-6-06	DTP	RN	D. ADDED DIMENSION C. REVISED GENERAL NOTES B. REVISED PART WEIGHT A. REVISED DRAWING TITLE	38778-11	RN	RN			M50	
-	-	-	-	-	-	-	-	-	-		
UNLESS OTHERWISE SPECIFIED, ALL DIMENSIONS ARE GIVEN IN INCHES, THIRD ANGLE PROJECTION.											
SCALE: NONE											
DRAWING NO. 38778-11											
SIZE A											

PANDUIT  
CORP  
TINLEY PARK, ILLINOIS

FIBERRUNNER 6x4 INSIDE VERTICAL RIGHT ANGLE FITTING (FRIVRA6X4)

CUSTOMER DRAWING

UNLESS OTHERWISE SPECIFIED, DIMENSIONAL TOLERANCES ARE:  
(.XX) ±.03 (.8)  
(.XXX) ±

MAT'L:

ABS

## X-ON Electronics

Largest Supplier of Electrical and Electronic Components

*Click to view similar products for [Wire Ducting](#) category:*

*Click to view products by [Panduit](#) manufacturer:*

Other Similar products are found below :

[66200A-10](#) [CVED32VEPG](#) [CVED40VEPG](#) [F512D5-5F140Y](#) [F512D5-5F200Y](#) [F512D5-5F26Y](#) [F512D5-5F30Y](#) [F512D5-5F33Y](#) [F512D5-5F34Y](#) [F512D5-5F45Y](#) [F512D5-5F50Y](#) [F512D5-5F54Y](#) [F512D5-5F66Y](#) [F512D5-5F70Y](#) [F512D5-5F75Y](#) [F512D5-5F90Y](#) [F612D5-5F100Y](#) [F612D5-5F130Y](#) [F612D5-5F50Y](#) [F612D5-5F56Y](#) [F612D5-5F58Y](#) [F6L12D5-5F46](#) [F912D5-5F11Y](#) [F912D5-5F170Y](#) [F912D5-5F175Y](#) [F912D5-5F230Y](#) [F912D5-5F300Y](#) [F912D5-5F55Y](#) [F912D5-5F56Y](#) [F912D5-5F63Y](#) [F912D5-5F6Y](#) [F912D5-5F75Y](#) [F912D5-5F85Y](#) [F912D5-5F86Y](#) [F912D5-5F88Y](#) [F912D5-5F96Y](#) [FAP0047WBLMTP](#) [FAP12WBRDRDDLZ](#) [FAP12WDYLYLDLZ](#) [FAP12WEORORDLZ](#) [FAP6WEORORDLZ](#) [FAP6WFDBDBDLZ](#) [FAP8WEORORDLZ](#) [FCE2UWCL](#) [800A-LB](#) [802A-ECSP](#) [802I-ICSP](#) [FJQADH](#) [FJQFXT](#) [PED10](#)