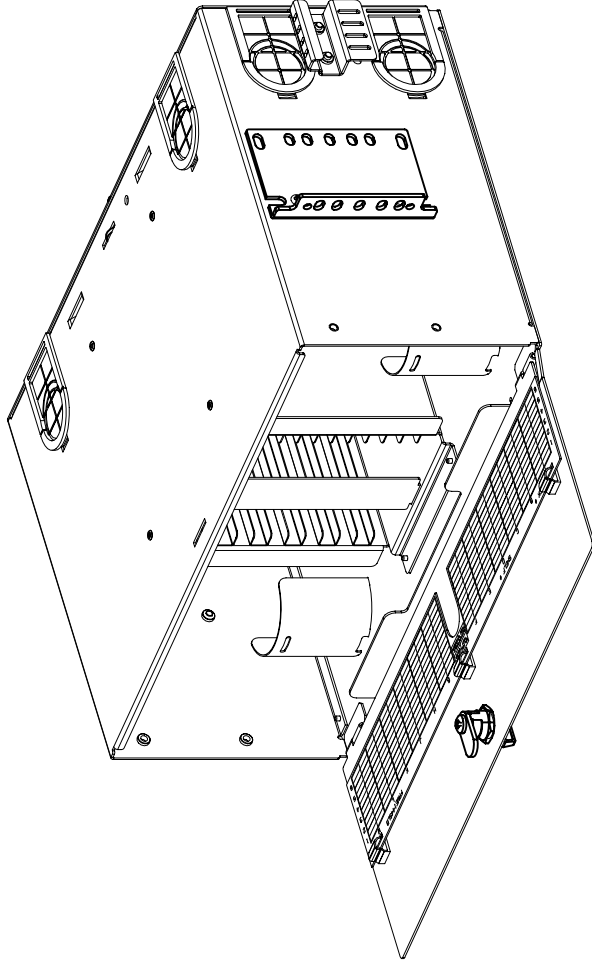


THIS COPY IS PROVIDED ON A RESTRICTED BASIS AND IS NOT TO BE USED IN ANY WAY DETRIMENTAL TO THE INTERESTS OF PANDUIT CORP.

NOTES:

1. SEE CATALOG FOR COMPLETE LIST OF PARTS APPLICABLE FOR USE WITH THIS PART.
2. DIMENSIONS IN PARENTHESES ARE IN METRIC.
3. KIT CONTAINS (KIT INCLUDED WITH ENCLOSURE):
 - 5 - PAN-TY CABLE TIES
 - 1 - GROUNDING LUG
 - 1 - HEX NUT
 - 1 - FIBER CAUTION LABEL
 - 1 - FIBER LASER BEAM WARNING LABEL
 - 2 - BAGS OF #12 - 24 X .5" SCREWS
 - 1 - 24" LENGTH OF SPIRAL WRAP
 - 8 - SADDLE MOUNT
 - 1 - BAG OF #10 - 32 X .3125" PHILLIPS PAN-HEAD SCREWS
 - 10 - VELCRO CABLE TIES
4. ENCLOSURE FITS INTO A 19" OR 23" RACK SPACE.
5. ENCLOSURE CAN BE MOUNTED FLUSH OR PROJECTED IN RACK OPENING.
6. MATERIAL: 16 GAUGE GALVANNEALED C.R.S. HOUSING; 16 GAUGE GALVANNEALED C.R.S. FRONT AND BACK COVER; STEEL



CAD FILENAME/LAYERS M00406AA_DC_03A.PRT

PANDUIT

CORP. TINLEY PARK, ILLINOIS

FIBER ENCLOSURE, 4 RACK SPACE SPLICE (FRAME144SBL) CUSTOMER DRAWING

UNLESS OTHERWISE SPECIFIED, DIMENSIONAL TOLERANCES ARE:

(.X) ± (.XXX) ±.010 (.3)

(.XX) ±.03 (.8) ANGLES ±

UNLESS OTHERWISE SPECIFIED, ALL DIMENSIONS ARE GIVEN IN INCHES, THIRD ANGLE PROJECTION.

DRAWN BY JBA MAT'L: NONE

DATE 3-24-99

CHECKED BY

SEE NOTES

DRAWING NO. 00406-21

SHHET 2 OF 2

DWG

SIZE A

SEE SHEET 1 OF 2 FOR CURRENT REVISIONS. 00406-21

DESCRIPTION

ECN

CHK

CUST

SUP

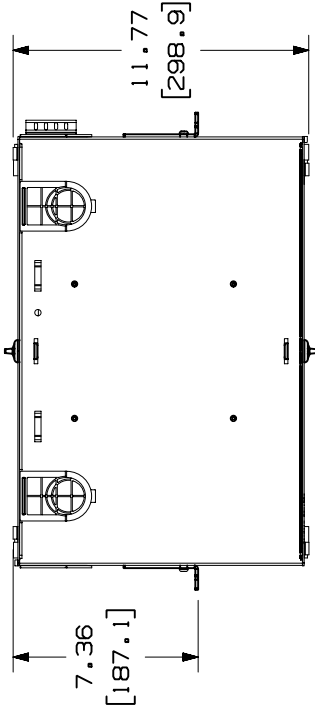
REV R 3-24-99 JBA

BY CHK

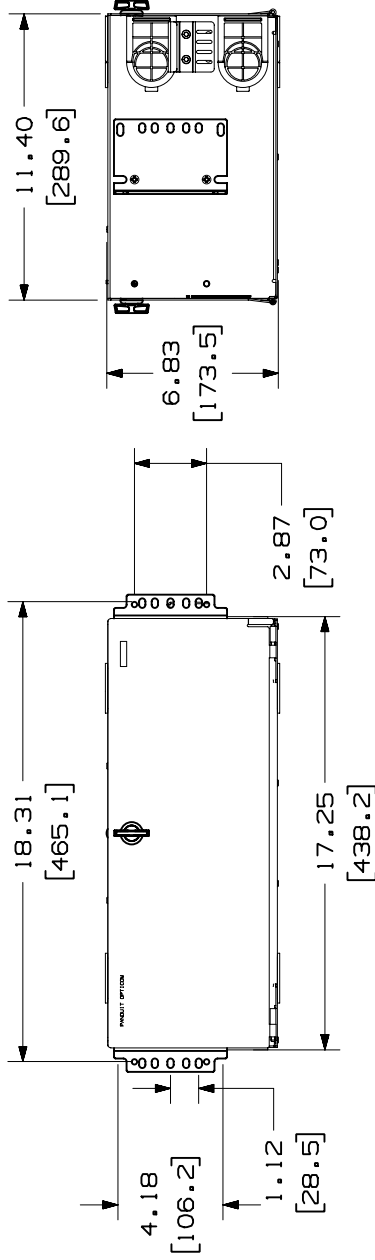
DATE

CHK

THIS COPY IS PROVIDED ON A RESTRICTED BASIS AND IS NOT TO BE USED IN ANY WAY DETRIMENTAL TO THE INTERESTS OF PANDUIT CORP.



PANDUIT P/N	WEIGHT
FRME144SBL	19.35 LB/EACH (8795 g/EACH)



CAD FILE NAME/LAYERS M00406AA_DC_03A.PRT

PANDUIT

CORP. TINLEY PARK, ILLINOIS

FIBER ENCLOSURE, 4 RACK
SPACE SPLICE (FRME144SBL)
CUSTOMER DRAWING

UNLESS OTHERWISE SPECIFIED,
DIMENSIONAL TOLERANCES ARE:
(.X) ± .XXX (.3)
(.XX) ± .03 (.8) ANGLES ±

UNLESS OTHERWISE SPECIFIED,
ALL DIMENSIONS ARE GIVEN
IN INCHES, THIRD ANGLE PROJECTION.

DRAWN BY	JBA	MAT'L:	NONE
DATE	3-24-99	SEE NOTES	
CHECKED BY			

DWG	00406-21	A
SHEET	1 OF 2	

REV	DATE	BY	CHK	DESCRIPTION	ECN	CHK	CUST	SUP
R	3-24-99	JBA		RELEASED TO PRODUCTION.	00406-21			

X-ON Electronics

Largest Supplier of Electrical and Electronic Components

Click to view similar products for [Wire Ducting & Raceways](#) category:

Click to view products by [Panduit](#) manufacturer:

Other Similar products are found below :

[800A-LB](#) [801I-LSP](#) [802A-ECSP](#) [802I-ICSP](#) [923223-000](#) [PRAF6WH-X](#) [A0405538](#) [1301150342](#) [1301160034](#) [1301170070](#) [1301180011](#)
[1301230083](#) [1301230153](#) [1301240273](#) [1301250006](#) [1302261238](#) [1302261321](#) [1302262552](#) [1302263103](#) [1302263178](#) [1302263259](#)
[1302263816](#) [1302263860](#) [1302264375](#) [1302264390](#) [1301150343](#) [1301160030](#) [1301170050](#) [1301170051](#) [1301170061](#) [1301180013](#)
[1301230086](#) [1301230130](#) [1301240054](#) [1302260055](#) [1302260376](#) [1302261343](#) [1302261344](#) [1302262674](#) [1302263095](#) [1302263166](#)
[1302263209](#) [1302263513](#) [1302263851](#) [1302263870](#) [1302264137](#) [1302264218](#) [DD1/J](#) [AX101472](#) [AX102007](#)