

NOTES:

1. SEE CATALOG FOR COMPLETE LIST OF PARTS APPLICABLE FOR USE WITH THIS PART.
2. DIMENSIONS IN PARENTHESES ARE IN METRIC.
3. ENCLOSURE CAN BE MOUNTED ON A 19" OR 23" STANDARD EIA RACK.
4. COMPLETE ENCLOSURE IS MADE FROM 16 GAUGE GALVANNEALD COLD ROLLED STEEL.
5. ENCLOSURE IS PAINTED BLACK.
6. ENCLOSURE IS SUPPLIED WITH (1) HARDWARE KIT AND PORT I.D. LABEL.
7. PART CAN HOLD UP TO 3 FAPS.

PANDUIT P/N	FRAME1
WEIGHT	13.4 LB/EA 6078.1 G/EA

STRAIN RELIEF BRACKET - PART OF HARDWARE KIT
 RUBBER GROMMET - PART OF HARDWARE KIT
 REAR ACCESS DOOR - REMOVABLE

MODEL FILENAME
 V10049AM-FRME1_ASSY_01.PRT
 CAD FILENAME/LAYERS
 10049AM_DC_01B.PRT

PANDUIT
 CORP., TINLEY PARK, ILLINOIS

FIBER RACK MOUNT ENCLOSURE
 (FRAME1) CUSTOMER DRAWING

UNLESS OTHERWISE SPECIFIED,
 ALL DIMENSIONS ARE GIVEN
 IN INCHES, THIRD ANGLE PROJECTION.

DIMENSIONAL TOLERANCES ARE:
 (.XX) ± (.XX)
 (.XXX) ± (.03) (.8) ANGLES ±

REV	DATE	BY	CHK	DESCRIPTION	ECN	R	CUST	SUP	OTH	CHK'D	DATE
1	3-12-02	JDWE		SEE SHEET 2 OF 2 FOR REVISIONS	10049-49					JDWE	2-8-02
R	2-8-02	JDWE	AFW	SEE SHEET 2 OF 2 FOR REVISIONS	10049-49	JW1				AFW	2-8-02

REV	DATE	BY	CHK	DESCRIPTION	ECN	R	CUST	SUP	OTH	CHK'D	DATE
1	3-12-02	JDWE		SEE SHEET 2 OF 2 FOR REVISIONS	10049-49					JDWE	2-8-02
R	2-8-02	JDWE	AFW	SEE SHEET 2 OF 2 FOR REVISIONS	10049-49	JW1				AFW	2-8-02

SCALE
 1/6

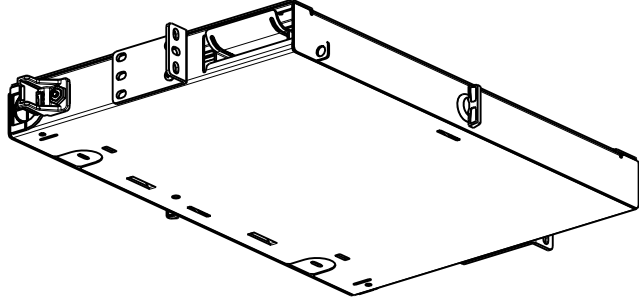
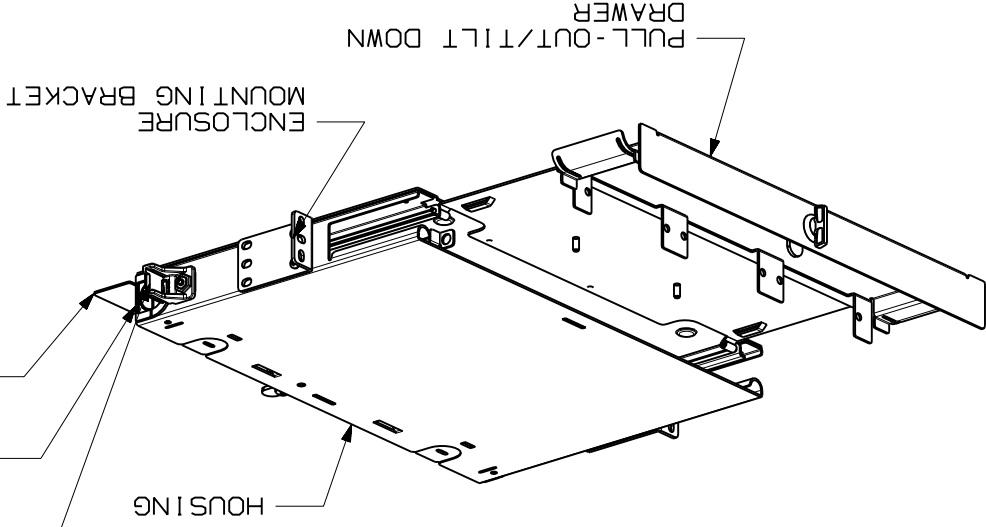
SEE NOTES

DRAWING NO.
 10049-49

SHEET 1 OF 2

SIZE
 A

DWG



REV	DATE	BY	CHK	DESCRIPTION	ECN - R	CUST	SUP	OTH	CHK'D	DATE	MAT'L:	SCALE	DRAWING NO.	SHEET 2 OF 2	SIZE
1	3-12-02	JDWE		A. CHANGED SHEET NUMBERS.	10049-49					JDWE		1:6	10049-49		A
R	2-8-02	JDWE	AFW	RELEASED TO PRODUCTION	10049-49	JW1				2-8-02			10049-49		A

MODEL FILENAME
V10049AM_FRM1_ASSY_01.PRT

CAD FILENAME/LAYERS
V10049AM_DC_01B.PRT

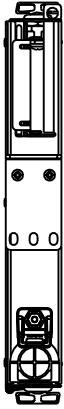
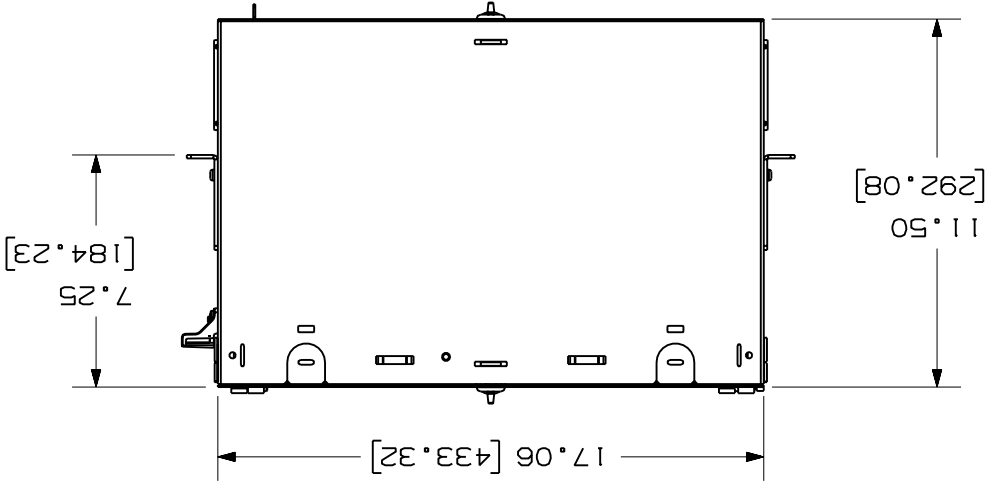
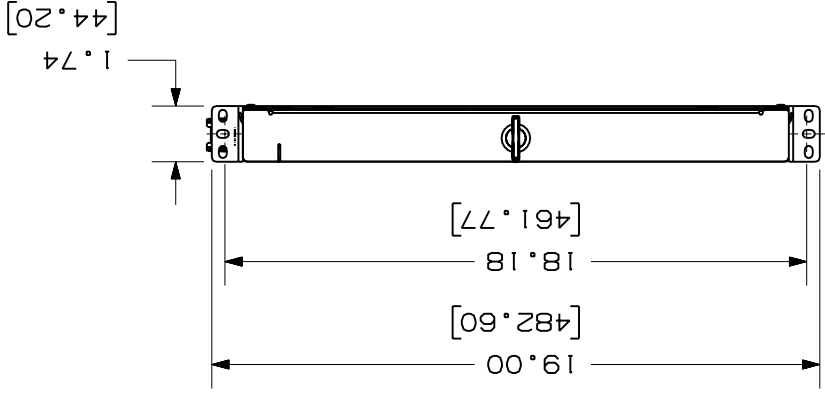
PANDUIT
CORP., TINLEY PARK, ILLINOIS

FIBER RACK MOUNT ENCLOSURE
(FRAME1) CUSTOMER DRAWING

UNLESS OTHERWISE SPECIFIED,
ALL DIMENSIONS ARE GIVEN
IN INCHES, THIRD ANGLE PROJECTION.

DIMENSIONAL TOLERANCES ARE:
(.XX) ± (.03) ANGLES ±
(.XXX) ±
(.XXX) ±

SEE NOTES



X-ON Electronics

Largest Supplier of Electrical and Electronic Components

Click to view similar products for [Wire Ducting & Raceways](#) category:

Click to view products by [Panduit](#) manufacturer:

Other Similar products are found below :

[FG5EI25-A](#) [PED12](#) [PED8](#) [PEVEP](#) [FXOE3-10M3](#) [FZD3-3M2](#) [FZLE10-10M2](#) [FZOE10-10M1](#) [FZOLE10-10M2](#) [FZPE3-10M2](#) [923223-000](#)
[PRAF6WH-X](#) [A0405538](#) [1301150342](#) [1301230083](#) [1301150343](#) [1301230086](#) [1301240054](#) [AX101472](#) [AX102652](#) [AX102653](#) [AX102737](#)
[S62DS](#) [S65DS](#) [S75DSH](#) [A0405536](#) [A0405537](#) [A0649869](#) [FXOD3-3M1](#) [FXOE10-10M2](#) [FZLD3-3M2](#) [FZOE3-10M1](#) [FZOE3-10M2](#)
[FZOLE3-10M2](#) [FZOPE10-10M1](#) [FZPD3-3M2](#) [PZRFE4](#) [PZWIFIEN](#) [PZWIFIENA](#) [CNPSNH](#) [CNSPC](#) [5400ES](#) [WDLT-1216-72](#) [655287-000](#)
[S75DS](#) [1301180028](#) [801A-LSP](#) [TGECAW](#) [206461-000](#) [853425-000](#)