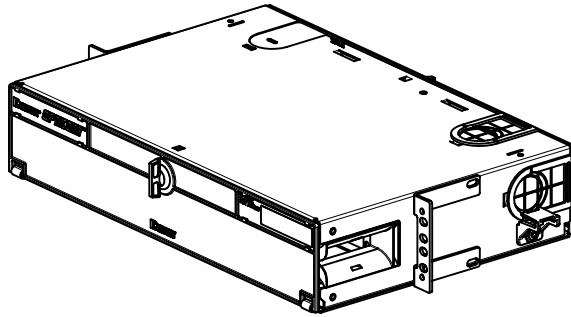


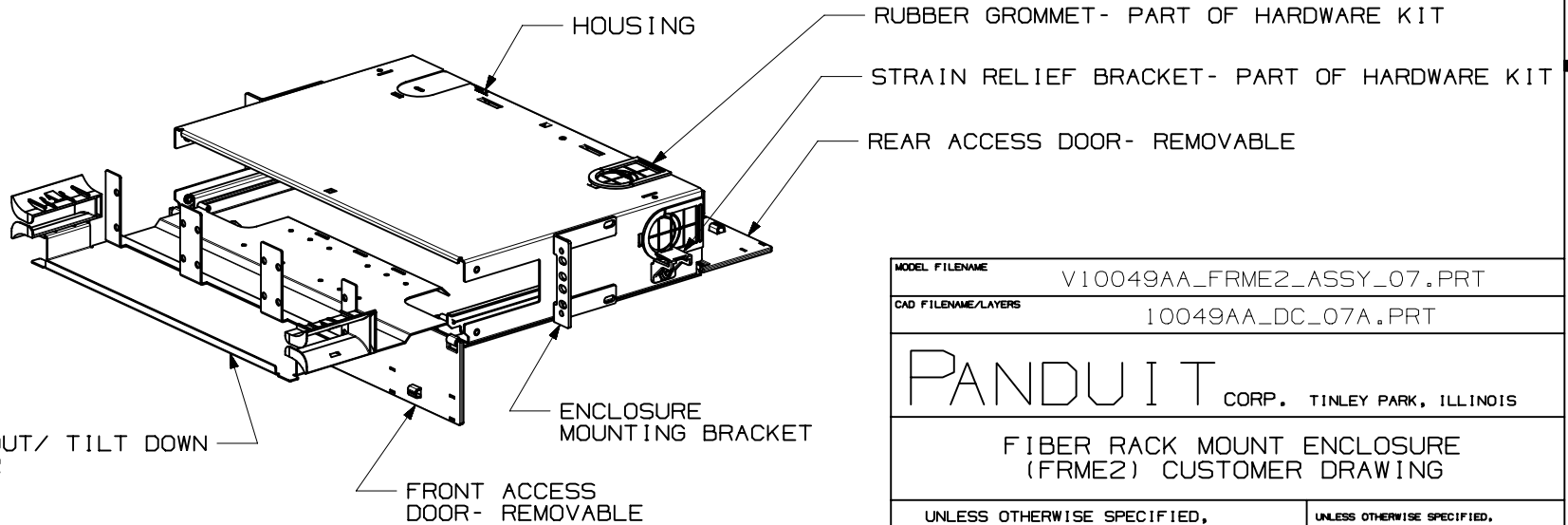
THIS COPY IS PROVIDED ON A RESTRICTED BASIS AND IS NOT TO BE USED IN ANY WAY DETRIMENTAL TO THE INTERESTS OF PANDUIT CORP.

NOTES:

1. VISIT OUR ON-LINE CATALOG AT WWW.PANDUIT.COM FOR A CURRENT LIST OF PARTS APPLICABLE FOR USE WITH THIS PART.
2. DIMENSIONS IN PARENTHESES ARE IN METRIC.
3. ENCLOSURE CAN BE MOUNTED ON A 19" OR 23" STANDARD EIA RACK.
4. ENCLOSURE IS PAINTED BLACK
5. ENCLOSURE IS SUPPLIED WITH (1) HARDWARE KIT AND PORT I.D. LABEL.
6. PART CAN HOLD UP TO 6 FAPS.



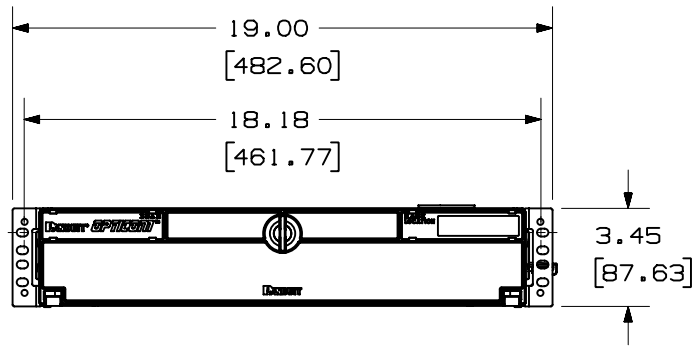
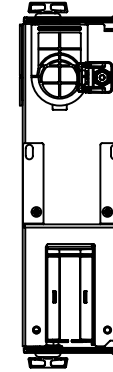
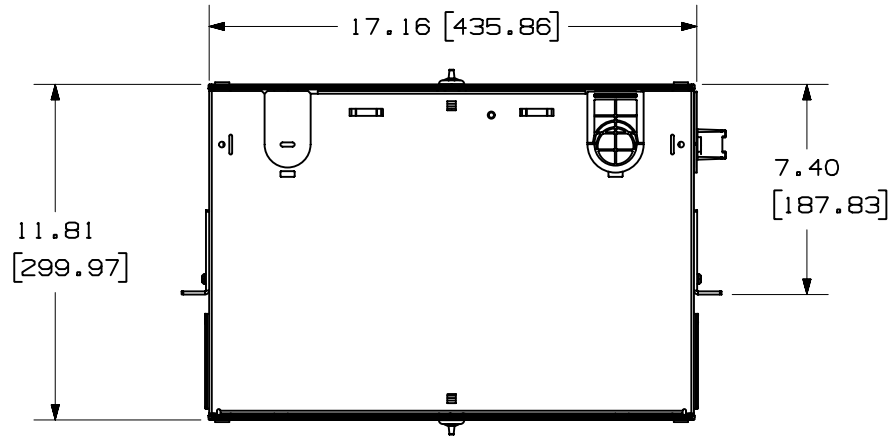
PANDUIT P/N	WEIGHT
FRME2	12.9 LB/EA 5851.3 G/EA



MODEL FILENAME		V10049AA_FRME2_ASSY_07.PRT	
CAD FILENAME/LAYERS		10049AA_DC_07A.PRT	
CORP. TINLEY PARK, ILLINOIS FIBER RACK MOUNT ENCLOSURE (FRME2) CUSTOMER DRAWING			
UNLESS OTHERWISE SPECIFIED, DIMENSIONAL TOLERANCES ARE:		UNLESS OTHERWISE SPECIFIED, ALL DIMENSIONS ARE GIVEN IN INCHES, THIRD ANGLE PROJECTION.	
(.X) ± (.XXX) ± (.XX) ± .03 (.8) ANGLES ±		SCALE 1/6	
DRAWN BY	JDWE	MAT'L:	ENCLOSURE- STEEL FRONT COVER- PC REAR COVER- ABS
DATE	2-8-02	DRAWING NO.	10049-48
CHK'D	AFW	SHEET 1 OF 2	DWG SIZE A

REV	DATE	BY	CHK	DESCRIPTION	ECN	R	CUST	SUP	OTH
2	5-16-05	JDWE		SEE SHEET 2 OF 2 FOR REVISIONS	10049-48				
1	2-8-02	JDWE	AFW	SEE SHEET 2 OF 2 FOR REVISIONS	10049-48	JWI			
R	2-8-02	JDWE	AFW	SEE SHEET 2 OF 2 FOR REVISIONS	10049-48	JWI			

THIS COPY IS PROVIDED ON A RESTRICTED BASIS AND IS NOT TO BE USED IN ANY WAY DETRIMENTAL TO THE INTERESTS OF PANDUIT CORP.



MODEL FILENAME V10049AA_FRME2_ASSY_07.PRT
 CAD FILENAME/LAYERS V10049AA_DC_07A.PRT

PANDUIT CORP. TINLEY PARK, ILLINOIS

FIBER RACK MOUNT ENCLOSURE, 36 PORT (FRME2) CUSTOMER DRAWING

UNLESS OTHERWISE SPECIFIED, DIMENSIONAL TOLERANCES ARE:
 (.X) ± (.XXX) ±
 (.XX) ± .03 (.8) ANGLES ±

UNLESS OTHERWISE SPECIFIED, ALL DIMENSIONS ARE GIVEN IN INCHES, THIRD ANGLE PROJECTION.

REV	DATE	BY	CHK	DESCRIPTION	ECN	R	CUST	SUP	OTH
2	5-16-05	JDWE		B. UPDATED GEOMETRY	10049-48				
1	3-12-02	JDWE	AFW	A. CHANGED SHEET NUMBERS.	10049-48	JWI			
R	2-8-02	JDWE	AFW	RELEASED TO PRODUCTION	10049-48	JWI			

DRAWN BY JDWE
 DATE 2-8-02
 CHK'D AFW

MAT'L:
 SEE NOTES

SCALE 1:6
 DRAWING NO. 10049-48
 SHEET 2 OF 2
 DWG SIZE A

X-ON Electronics

Largest Supplier of Electrical and Electronic Components

Click to view similar products for [Wire Ducting & Raceways](#) category:

Click to view products by [Panduit](#) manufacturer:

Other Similar products are found below :

[FG5EI25-A](#) [PED12](#) [PED8](#) [PEVEP](#) [FXOE3-10M3](#) [FZD3-3M2](#) [FZLE10-10M2](#) [FZOE10-10M1](#) [FZOLE10-10M2](#) [FZPE3-10M2](#) [923223-000](#)
[PRAF6WH-X](#) [A0405538](#) [1301150342](#) [1301230083](#) [1301150343](#) [1301230086](#) [1301240054](#) [AX101472](#) [AX102652](#) [AX102653](#) [AX102737](#)
[S62DS](#) [S65DS](#) [S75DSH](#) [A0405536](#) [A0405537](#) [A0649869](#) [FXOD3-3M1](#) [FXOE10-10M2](#) [FZLD3-3M2](#) [FZOE3-10M1](#) [FZOE3-10M2](#)
[FZOLE3-10M2](#) [FZOPE10-10M1](#) [FZPD3-3M2](#) [PZRFE4](#) [PZWIFIEN](#) [PZWIFIENA](#) [CNPSNH](#) [CNSPC](#) [5400ES](#) [WDLT-1216-72](#) [655287-000](#)
[S75DS](#) [1301180028](#) [801A-LSP](#) [TGECAW](#) [206461-000](#) [853425-000](#)