

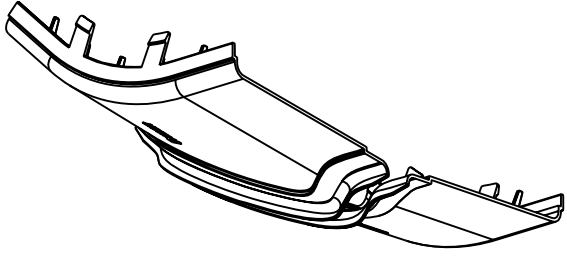
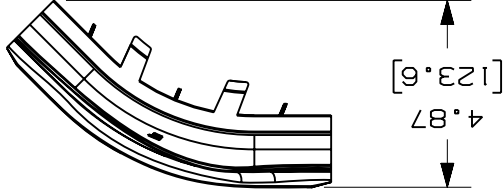
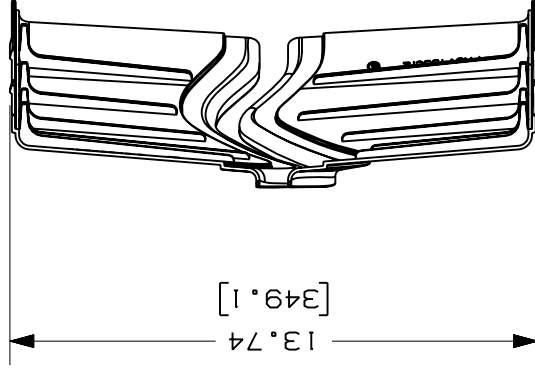
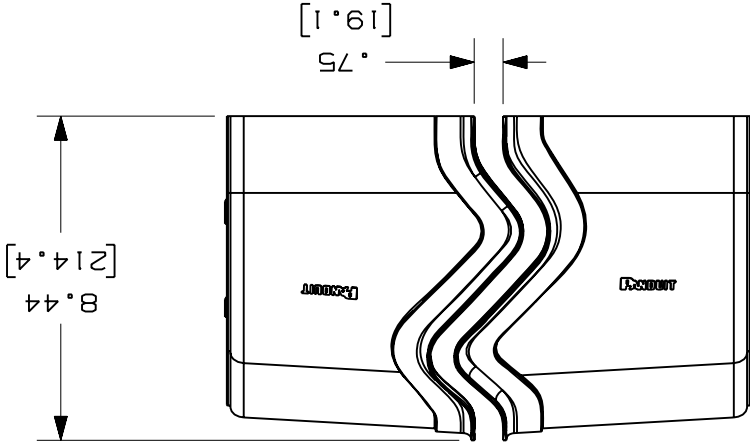


PANDUIT PART NUMBER	FROV45SC12
WEIGHT	0.62 LB/EACH (280g/EACH)



NOTES:

1. SEE CURRENT CATALOG FOR ADDITIONAL PART SUFFIXES TO INDICATE COLOR AND/OR PACKAGE QUANTITY.
2. THE FIBERRUNNER 12x4 OUTSIDE VERTICAL 45° ANGLE SPLIT COVER REQUIRES NO TOOLS FOR INSTALLATION AND/OR REMOVAL. THE SPLIT COVER CREATES A 3/4" (19.1) RADUSED OPENING TO ALLOW FOR NEW CABLES TO BE ADDED WITHOUT THE NEED FOR REMOVING THE COVERS.
3. DIMENSIONS IN PARENTHESES ARE IN METRIC.



ENG. REF.: 037617DW\_DC\_FROV45SC12-01.prt

CAD FILENAME/LAYERS  
FROV45SC12.pdft

PANDUIT  
CORP  
TINLEY PARK, ILLINOIS

FIBERRUNNER 12x4 OUTSIDE VERTICAL  
45° ANGLE SPLIT COVER (FROV45SC12)  
CUSTOMER DRAWING

UNLESS OTHERWISE SPECIFIED,  
DIMENSIONAL TOLERANCES ARE:  
(.XX) ±.03 (.8)  
(.XXX) ±  
ANGLES ±  
INCHES, THIRD ANGLE PROJECTION.

SCALE  
NONE

DRAWING NO.  
37617-83

SIZE  
A

REV	DATE	BY	CHK	DESCRIPTION	ECN	R	CUST	SUP	GMBH	LD
-----	------	----	-----	-------------	-----	---	------	-----	------	----

1	7-7-06	DTP	RN	A. REVISED AND REDRAWN	37617-83	RN	RN			1-5-01
---	--------	-----	----	------------------------	----------	----	----	--	--	--------

-	-	-	-	D. REVISED GENERAL NOTES	-	-	-	-	-	JHNU
---	---	---	---	--------------------------	---	---	---	---	---	------

-	-	-	-	C. REVISED CAD FILENAME	-	-	-	-	-	
---	---	---	---	-------------------------	---	---	---	---	---	--

-	-	-	-	E. REVISED PART WEIGHT	-	-	-	-	-	
---	---	---	---	------------------------	---	---	---	---	---	--

## X-ON Electronics

Largest Supplier of Electrical and Electronic Components

*Click to view similar products for [Wire Ducting](#) category:*

*Click to view products by [Panduit](#) manufacturer:*

Other Similar products are found below :

[66200A-10](#) [CVED32VEPG](#) [CVED40VEPG](#) [F512D5-5F140Y](#) [F512D5-5F200Y](#) [F512D5-5F26Y](#) [F512D5-5F30Y](#) [F512D5-5F33Y](#) [F512D5-5F34Y](#) [F512D5-5F45Y](#) [F512D5-5F50Y](#) [F512D5-5F54Y](#) [F512D5-5F66Y](#) [F512D5-5F70Y](#) [F512D5-5F75Y](#) [F512D5-5F90Y](#) [F612D5-5F100Y](#) [F612D5-5F130Y](#) [F612D5-5F50Y](#) [F612D5-5F56Y](#) [F612D5-5F58Y](#) [F6L12D5-5F46](#) [F912D5-5F11Y](#) [F912D5-5F170Y](#) [F912D5-5F175Y](#) [F912D5-5F230Y](#) [F912D5-5F300Y](#) [F912D5-5F55Y](#) [F912D5-5F56Y](#) [F912D5-5F63Y](#) [F912D5-5F6Y](#) [F912D5-5F75Y](#) [F912D5-5F85Y](#) [F912D5-5F86Y](#) [F912D5-5F88Y](#) [F912D5-5F96Y](#) [FAP0047WBLMTP](#) [FAP12WBRDRDDLZ](#) [FAP12WDYLYLDLZ](#) [FAP12WEORORDLZ](#) [FAP6WEORORDLZ](#) [FAP6WFDBDBDLZ](#) [FAP8WEORORDLZ](#) [FCE2UWCL](#) [800A-LB](#) [802A-ECSP](#) [802I-ICSP](#) [FJQADH](#) [FJQFXT](#) [PED10](#)