



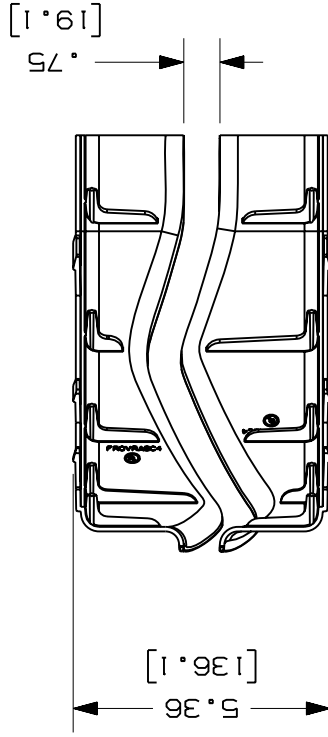
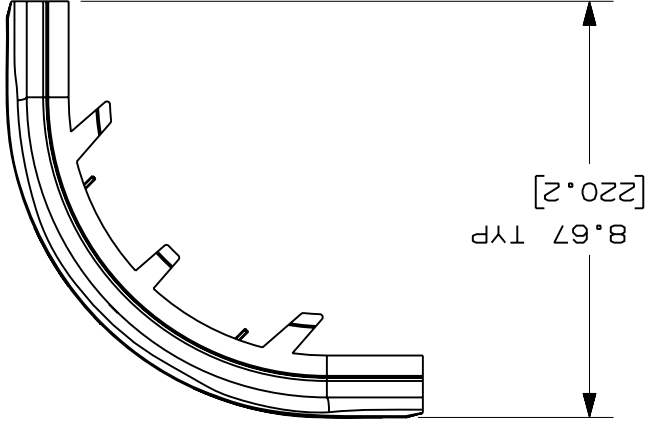
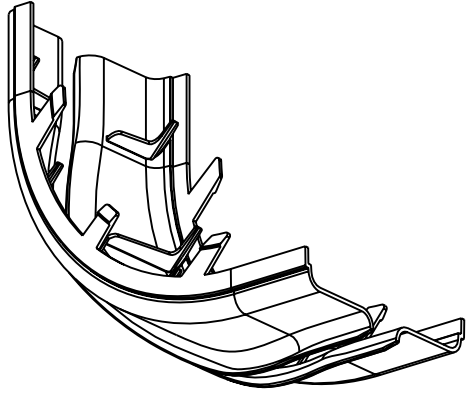
PANDUIT PART NUMBER	FROVRASC4
WEIGHT	0.40 LB/EACH (182g/EACH)



NOTES:



1. SEE CURRENT CATALOG FOR ADDITIONAL PART SUFFIXES TO INDICATE COLOR AND/OR PACKAGE QUANTITY.
2. THE FIBERRUNNER 4x4 OUTSIDE VERTICAL RIGHT ANGLE SPLIT COVER REQUIRES NO TOOLS FOR INSTALLATION AND/OR REMOVAL. THE SPLIT COVER CREATES A 3/4" ((19.1) RADUSED OPENING TO ALLOW FOR NEW CABLES TO BE ADDED WITHOUT THE NEED FOR REMOVING THE COVERS.
3. DIMENSIONS IN PARENTHESES ARE IN METRIC.



ENG. REF.: D37847DA\_DC-FROVRASC4\_01.prt

CAD FILENAME/LAYERS FROVRASC4.ppt

PANDUIT CORP  
TINLEY PARK, ILLINOIS

FIBERRUNNER 4x4 OUTSIDE VERTICAL  
RIGHT ANGLE SPLIT COVER (FROVRASC4)

UNLESS OTHERWISE SPECIFIED,  
DIMENSIONAL TOLERANCES ARE:  
(.XX) ±.03 (.8)  
(.XXX) ±  
ANGLES ±  
UNLESS OTHERWISE SPECIFIED,  
INCHES, THIRD ANGLE PROJECTION.

SCALE	NONE
DRAWING NO.	37847-62
SIZE	A

REV	DATE	BY	CHK	DESCRIPTION	ECN	R	CUST	SUP	GMBH	LD
2	7-10-06	DTP	RN	B. REVISED AND REDRAWN	37847-62	RN	RN			7-16-01
-	-	-	-	C. REVISED DRAWING TITLE	-	-	-	-	-	JHNU
-	-	-	-	D. REVISED CAD FILENAME	-	-	-	-	-	
-	-	-	-	E. REVISED GENERAL NOTES	-	-	-	-	-	
-	-	-	-	F. REVISED PART WEIGHT	-	-	-	-	-	

## X-ON Electronics

Largest Supplier of Electrical and Electronic Components

*Click to view similar products for [Wire Ducting](#) category:*

*Click to view products by [Panduit](#) manufacturer:*

Other Similar products are found below :

[66200A-10](#) [CVED32VEPG](#) [CVED40VEPG](#) [F512D5-5F140Y](#) [F512D5-5F200Y](#) [F512D5-5F26Y](#) [F512D5-5F30Y](#) [F512D5-5F33Y](#) [F512D5-5F34Y](#) [F512D5-5F45Y](#) [F512D5-5F50Y](#) [F512D5-5F54Y](#) [F512D5-5F66Y](#) [F512D5-5F70Y](#) [F512D5-5F75Y](#) [F512D5-5F90Y](#) [F612D5-5F100Y](#) [F612D5-5F130Y](#) [F612D5-5F50Y](#) [F612D5-5F56Y](#) [F612D5-5F58Y](#) [F6L12D5-5F46](#) [F912D5-5F11Y](#) [F912D5-5F170Y](#) [F912D5-5F175Y](#) [F912D5-5F230Y](#) [F912D5-5F300Y](#) [F912D5-5F55Y](#) [F912D5-5F56Y](#) [F912D5-5F63Y](#) [F912D5-5F6Y](#) [F912D5-5F75Y](#) [F912D5-5F85Y](#) [F912D5-5F86Y](#) [F912D5-5F88Y](#) [F912D5-5F96Y](#) [FAP0047WBLMTP](#) [FAP12WBRDRDDLZ](#) [FAP12WDYLYLDLZ](#) [FAP12WEORORDLZ](#) [FAP6WEORORDLZ](#) [FAP6WFDBDBDLZ](#) [FAP8WEORORDLZ](#) [FCE2UWCL](#) [800A-LB](#) [802A-ECSP](#) [802I-ICSP](#) [FJQADH](#) [FJQFXT](#) [PED10](#)