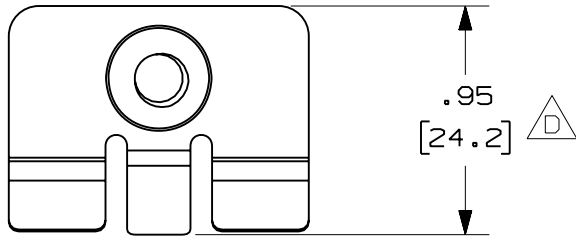


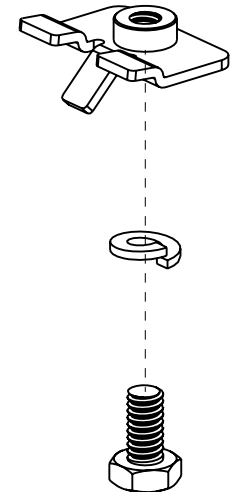
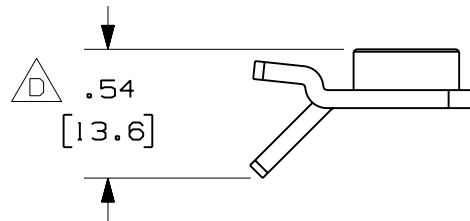
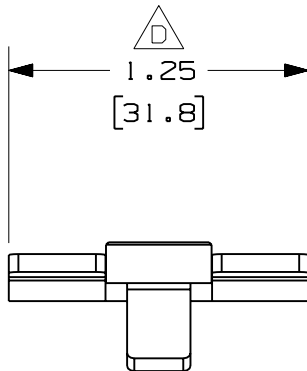
THIS COPY IS PROVIDED ON A RESTRICTED BASIS AND IS NOT TO BE USED IN ANY WAY DETRIMENTAL TO THE INTERESTS OF PANDUIT CORP.

PANDUIT PART NUMBER	WEIGHT
FROMC-X	0.04 LB/EACH (18g/EACH)



NOTES:

- SEE CURRENT CATALOG FOR ADDITIONAL PART SUFFIXES TO INDICATE PACKAGE QUANTITY.
- THE FIBERRUNNER QUICK MOUNT CLIP KIT INCLUDES:
TEN (10) CLIP ASSEMBLIES,
TEN (10) 1/4-20x1/2 HEX HEAD CAP SCREWS,
TEN (10) 1/4 HELICAL SPRING LOCKWASHERS.
- FINISH COLOR BLACK (EXCEPT HARDWARE)
- DIMENSIONS IN PARENTHESES ARE IN METRIC.



ENG. REF.: D38241BL_DC_FROMC-X_01.prt

CAD FILENAME/LAYERS



FROMC-X.pdf

PANDUIT CORP TINLEY PARK, ILLINOIS
FIBERRUNNER QUICK MOUNT CLIPS (FROMC-X)
 CUSTOMER DRAWING

-	-----	---	---	D. RELOCATED DIMENSIONS C. REVISED PART WEIGHT	-----	--	--					
2	7-12-06	DTP	RN	B. REVISED GENERAL NOTES A. REVISED CAD FILENAME	38241-11	RN	RN					
1	2-12-02	JHNU	HIW	RELEASED TO PRODUCTION	38241-11	HIW	HIW					
R	12-5-01	JHNU	HIW	DRAWING RELEASED								
REV	DATE	BY	CHK	DESCRIPTION	ECN	R	CUST	SUP	GMBH			

UNLESS OTHERWISE SPECIFIED, DIMENSIONAL TOLERANCES ARE: (.X) ± (.XXX) ± (.XX) ± .03 (.8) ANGLES ±		UNLESS OTHERWISE SPECIFIED, ALL DIMENSIONS ARE GIVEN IN INCHES, THIRD ANGLE PROJECTION.	
DRAWN BY JHNU	MAT'L: STEEL	SCALE NONE	DWG A
DATE 12-5-01		DRAWING NO. 38241-11	SIZE A
CHK'D HIW			

X-ON Electronics

Largest Supplier of Electrical and Electronic Components

Click to view similar products for [Cable Mounting & Accessories](#) category:

Click to view products by [Panduit](#) manufacturer:

Other Similar products are found below :

[582603-1](#) [009333-000](#) [727844N003](#) [747](#) [809090N001](#) [843188-000](#) [8666](#) [967279N002](#) [DB-11](#) [1300840039](#) [1300900096](#) [1301800416](#)
[1302264450](#) [1300830184](#) [1300830729](#) [1300900039](#) [1301580036](#) [1301850553](#) [1301860939](#) [1302000074](#) [1302261315](#) [1302264431](#)
[1337706-2](#) [APA18-AK](#) [1724](#) [1-787307-1](#) [185491N001](#) [1868](#) [HP-6N](#) [C-202-C](#) [202C221-13-0](#) [CA7308-000](#) [8S23-75FR-CS8184](#) [2684](#) [9648](#)
[3089](#) [988382-000](#) [A72821-000](#) [AA401](#) [173506-000](#) [1823](#) [202C292-13-0](#) [202C302-13-0](#) [2109](#) [300625](#) [3330](#) [3412](#) [356247-1](#) [M9142](#)
[M9143](#)