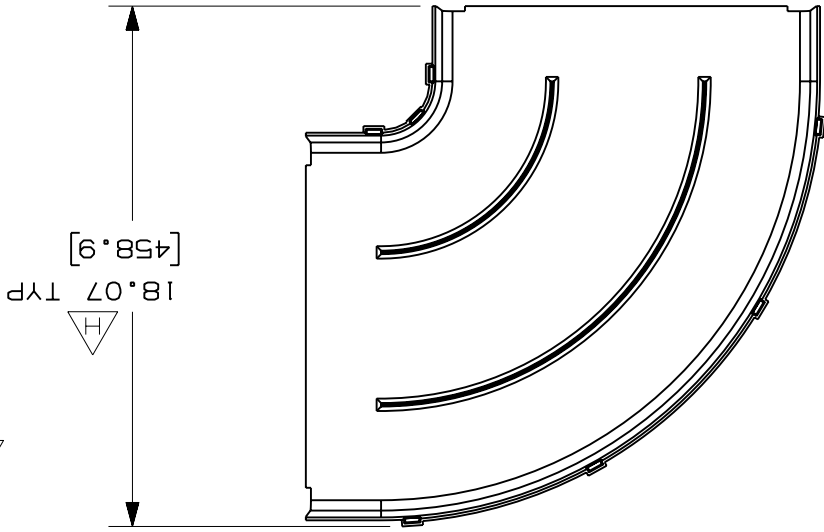
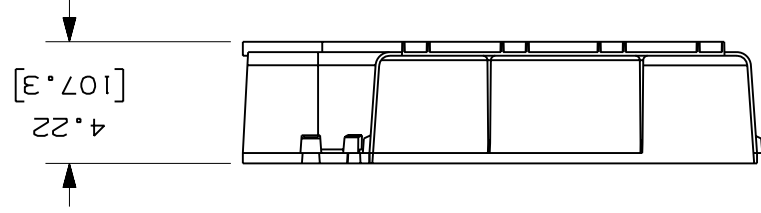
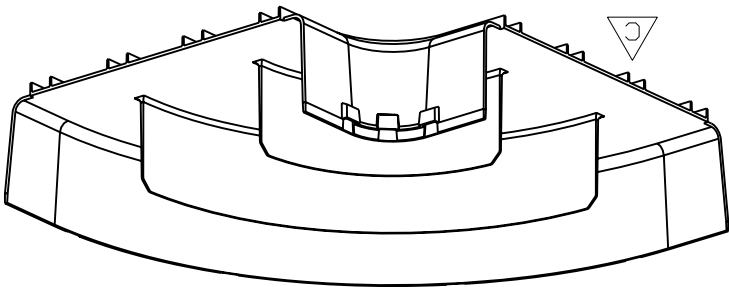


REV	DATE	BY	CHK	DESCRIPTION	ECN	R	CUST	SUP	GMBH	HIW	ABS	DRAWING NO.	SIZE
R	12-28-00	JHNU	SMF	RELEASED TO PRODUCTION	37617-62	HIW	HIW					37617-62	A
1	3-26-04	MSO	SMF	A. REVISED CAD FILENAME. B. REVISED DRAWING TITLE.	37617-62	RN	RN					NONE	
2	6-25-04	MSO	SMF	D. REVISED PART WEIGHT: WAS 2.29 LB.	37617-62	RN	RN						
3	7-12-06	DTP	RN	F. REVISED GENERAL NOTES E. REVISED DRAWING TITLE	37617-62	RN	RN						
-	-	-	-	G. REVISED PART WEIGHT H. REVISED DIMENSION	-	-	-						

CAD FILENAME/LAYERS: FRA12X4.ppt

ENG. REF.: D37617BL_DC_FRA12X4_02.ppt



- NOTES:
1. SEE CURRENT CATALOG FOR ADDITIONAL PART SUFFIXES TO INDICATE COLOR AND/OR PACKAGE QUANTITY.
 2. THE FIBERRUNNER 12X4 HORIZONTAL RIGHT ANGLE FITTING IS DESIGNED WITH A MINIMUM 2" (50.8) BEND RADIUS TO PROTECT FIBER OPTIC CABLES.
 3. DIMENSIONS IN PARENTHESIS ARE IN METRIC.

PANDUIT P/N	FRA12X4
WEIGHT	2.75 LB/EACH 1247g/EACH



UNLESS OTHERWISE SPECIFIED, ALL DIMENSIONS ARE GIVEN IN INCHES, THIRD ANGLE PROJECTION.

UNLESS OTHERWISE SPECIFIED, DIMENSIONAL TOLERANCES ARE:
 (.XX) ± .03 (.8)
 (.XXX) ± .005
 (.XXX) ± .005 ANGLES



SCALE: NONE

DWG: 37617-62

X-ON Electronics

Largest Supplier of Electrical and Electronic Components

Click to view similar products for [Wire Ducting](#) category:

Click to view products by [Panduit](#) manufacturer:

Other Similar products are found below :

[66200A-10](#) [CVED32VEPG](#) [CVED40VEPG](#) [F512D5-5F140Y](#) [F512D5-5F200Y](#) [F512D5-5F26Y](#) [F512D5-5F30Y](#) [F512D5-5F33Y](#) [F512D5-5F34Y](#) [F512D5-5F45Y](#) [F512D5-5F50Y](#) [F512D5-5F54Y](#) [F512D5-5F66Y](#) [F512D5-5F70Y](#) [F512D5-5F75Y](#) [F512D5-5F90Y](#) [F612D5-5F100Y](#) [F612D5-5F130Y](#) [F612D5-5F50Y](#) [F612D5-5F56Y](#) [F612D5-5F58Y](#) [F6L12D5-5F46](#) [F912D5-5F11Y](#) [F912D5-5F170Y](#) [F912D5-5F175Y](#) [F912D5-5F230Y](#) [F912D5-5F300Y](#) [F912D5-5F55Y](#) [F912D5-5F56Y](#) [F912D5-5F63Y](#) [F912D5-5F6Y](#) [F912D5-5F75Y](#) [F912D5-5F85Y](#) [F912D5-5F86Y](#) [F912D5-5F88Y](#) [F912D5-5F96Y](#) [FAP0047WBLMTP](#) [FAP12WBRDRDDLZ](#) [FAP12WDYLYLDLZ](#) [FAP12WEORORDLZ](#) [FAP6WEORORDLZ](#) [FAP6WFDBDBDLZ](#) [FAP8WEORORDLZ](#) [FCE2UWCL](#) [800A-LB](#) [802A-ECSP](#) [802I-ICSP](#) [FJQADH](#) [FJQFXT](#) [PED10](#)