

REV	DATE	BY	CHK	DESCRIPTION	ECN	R	CUST	SUP	GMBH	JCHE
2	7-13-06	DTP	RN	D. REVISED AND REDRAWN	37185-70	RN	RN			5-4-00
-	-----	---	---	E. REVISED DRAWING TITLE	-----	---	---			REWE
				F. REVISED CAD FILENAME						
				G. REVISED PART WEIGHT						

CAD FILENAME/LAYERS F:\RRF64.ppt

ENG. REF.: D37185EX-DC-RRF64-01.ppt

PANDUIT
CORP
TINLEY PARK, ILLINOIS

FIBERRUNNER 6x4 TO FIBER-DUCT
4x4 REDUCER (FRRF64)

UNLESS OTHERWISE SPECIFIED,
DIMENSIONAL TOLERANCES ARE:
(.XX) ±.03 (.8)
(.XXX) ±
ANGLES ±

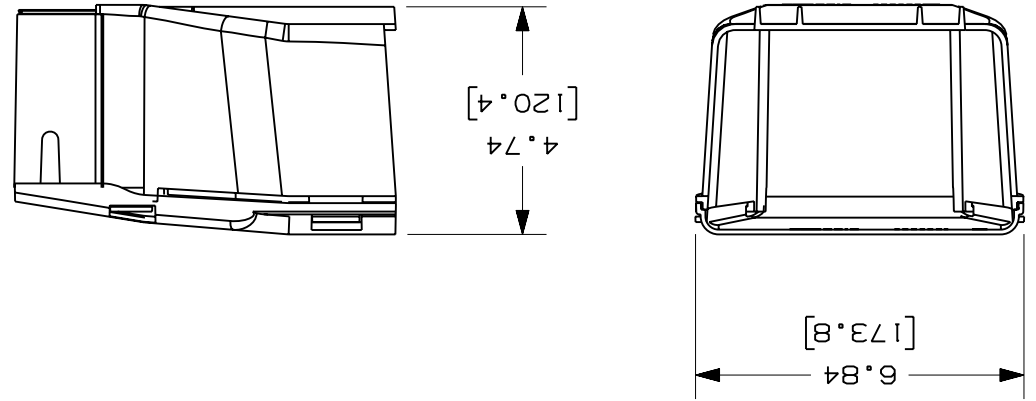
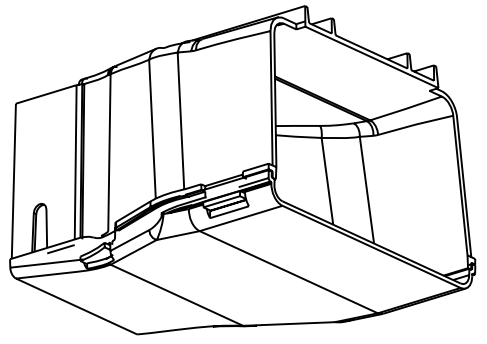
UNLESS OTHERWISE SPECIFIED,
ALL DIMENSIONS ARE GIVEN IN
INCHES, THIRD ANGLE PROJECTION.

SCALE NONE

DWG

37185-70

SIZE A



COVER

BASE

PART ROTATED 180° TO SHOW FIBER-DUCT 4x4 MOUNTING LOCATIONS

NOTES:

1. SEE CURRENT CATALOG FOR ADDITIONAL PART SUFFIXES TO INDICATE COLOR AND/OR PACKAGE QUANTITY.
2. DIMENSIONS IN PARENTHESES ARE IN METRIC.

PANDUIT PART NUMBER	FRRF64
WEIGHT	0.75 LB/EACH (342g/EACH)

7.94

[201.7]

6.84

[173.8]

4.74

[120.4]

X-ON Electronics

Largest Supplier of Electrical and Electronic Components

Click to view similar products for [Wire Ducting](#) category:

Click to view products by [Panduit](#) manufacturer:

Other Similar products are found below :

[66200A-10](#) [CVED32VEPG](#) [CVED40VEPG](#) [F512D5-5F140Y](#) [F512D5-5F200Y](#) [F512D5-5F26Y](#) [F512D5-5F30Y](#) [F512D5-5F33Y](#) [F512D5-5F34Y](#) [F512D5-5F45Y](#) [F512D5-5F50Y](#) [F512D5-5F54Y](#) [F512D5-5F66Y](#) [F512D5-5F70Y](#) [F512D5-5F75Y](#) [F512D5-5F90Y](#) [F612D5-5F100Y](#) [F612D5-5F130Y](#) [F612D5-5F50Y](#) [F612D5-5F56Y](#) [F612D5-5F58Y](#) [F6L12D5-5F46](#) [F912D5-5F11Y](#) [F912D5-5F170Y](#) [F912D5-5F175Y](#) [F912D5-5F230Y](#) [F912D5-5F300Y](#) [F912D5-5F55Y](#) [F912D5-5F56Y](#) [F912D5-5F63Y](#) [F912D5-5F6Y](#) [F912D5-5F75Y](#) [F912D5-5F85Y](#) [F912D5-5F86Y](#) [F912D5-5F88Y](#) [F912D5-5F96Y](#) [FAP0047WBLMTP](#) [FAP12WBRDRDDLZ](#) [FAP12WDYLYLDLZ](#) [FAP12WEORORDLZ](#) [FAP6WEORORDLZ](#) [FAP6WFDBDBDLZ](#) [FAP8WEORORDLZ](#) [FCE2UWCL](#) [800A-LB](#) [802A-ECSP](#) [802I-ICSP](#) [FJQADH](#) [FJQFXT](#) [PED10](#)