

REV	DATE	BY	CHK	DESCRIPTION	ECON	-	R	CUST	SUP	GMBH	CHK'D	EB
R	7-7-09	MSO	EB	RELEASED TO PRODUCTION	39851-26	RN	RN				DATE	7-7-09
											DRAWN BY	MSO
											MAT'L:	ABS/PVC
											DRAWING NO.	39851-26
											SCALE	NONE
											DWG	A
											SIZE	

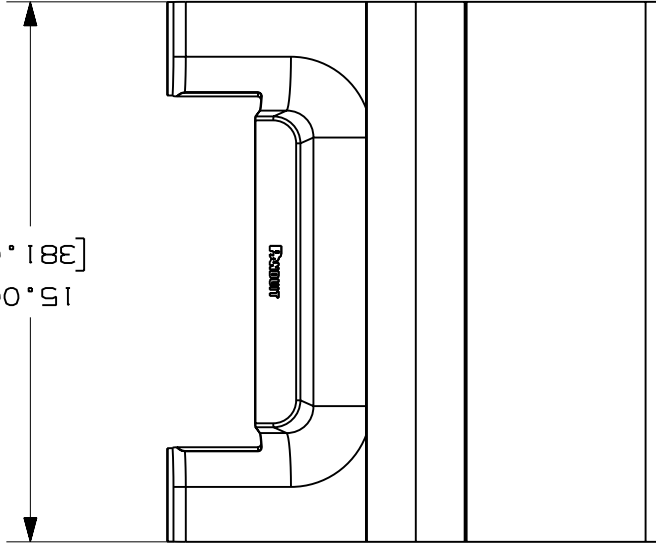
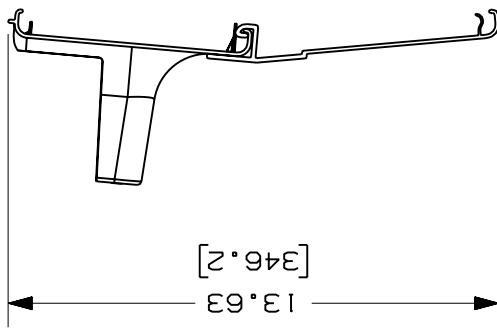
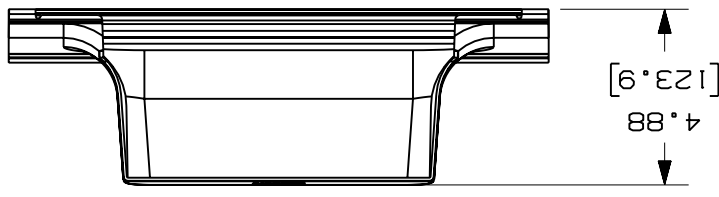
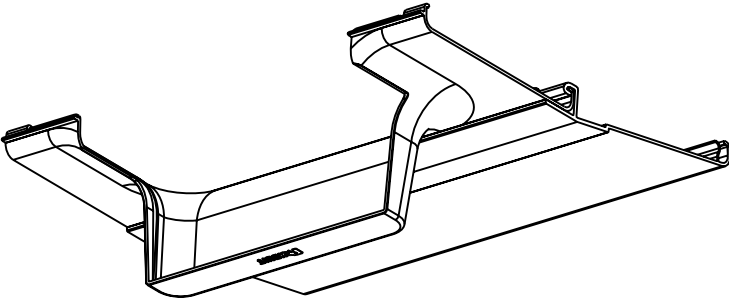
CAD FILENAME/LAYERS
FRSPJC412.pdf

ENG. REF.: D39851CC_DC/00 FRSPJC412

UNLESS OTHERWISE SPECIFIED, DIMENSIONAL TOLERANCES ARE:
 (.XX) ±.03 (.8)
 (.XXX) ±
 ANGLES ±
 UNLESS OTHERWISE SPECIFIED, ALL DIMENSIONS ARE GIVEN IN INCHES, THIRD ANGLE PROJECTION.

PANDUIT
 CORP
 TINLEY PARK, ILLINOIS

FIBERRUNNER SPILL-OVER JUNCTION
 WITH 4x4 EXIT - FIBERRUNNER 12x4
 CHANNEL COVER (FRSPJC412)
 CUSTOMER DRAWING



NOTES:

PANDUIT PART NUMBER	FRSPJC412
WEIGHT	1.47 LB/EACH (667g/EACH)

1. SEE CURRENT CATALOG FOR ADDITIONAL PART SUFFIXES TO INDICATE COLOR AND/OR PACKAGE QUANTITY.
2. DIMENSIONS IN PARENTHESES ARE IN METRIC.

X-ON Electronics

Largest Supplier of Electrical and Electronic Components

Click to view similar products for [Cable Mounting & Accessories](#) category:

Click to view products by [Panduit](#) manufacturer:

Other Similar products are found below :

[HP-4N](#) [582603-1](#) [009333-000](#) [727844N003](#) [809090N001](#) [8109](#) [843188-000](#) [843459N001](#) [843460N003](#) [8666](#) [967279N002](#) [GPQC1/0](#) [DB-11](#) [1300830208](#) [1300840039](#) [1300900026](#) [1300990052](#) [1301740005](#) [1301800121](#) [1301800416](#) [1300830184](#) [1300990149](#) [1301580036](#) [1301720103](#) [1301720135](#) [1301720152](#) [1301720157](#) [1301740009](#) [1301770011](#) [1301850553](#) [1301860939](#) [1302000074](#) [1302264431](#) [1337706-2](#) [APA18-AK](#) [MTX6UTPSRC-C](#) [1-787307-1](#) [185491N001](#) [HP-6N](#) [C-202-C](#) [202C221-13-0](#) [OMTM-S10-C0](#) [205339-4](#) [CA7308-000](#) [8S23-75FR-CS8184](#) [2684](#) [9648](#) [3089](#) [988382-000](#) [A0270164](#)