
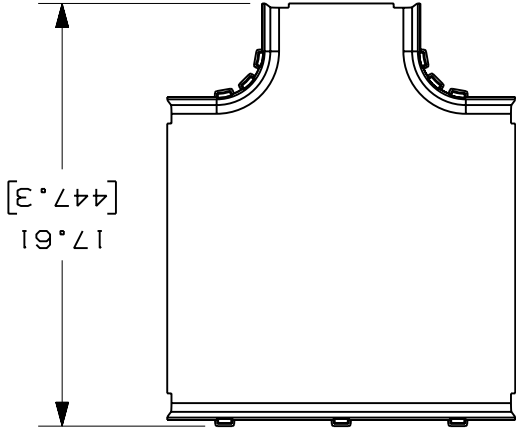
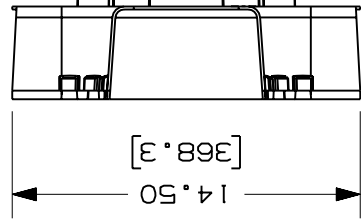
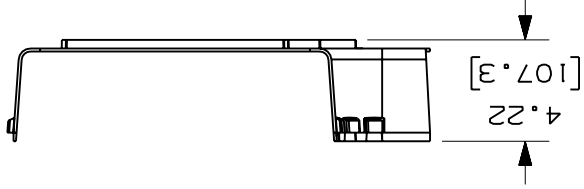
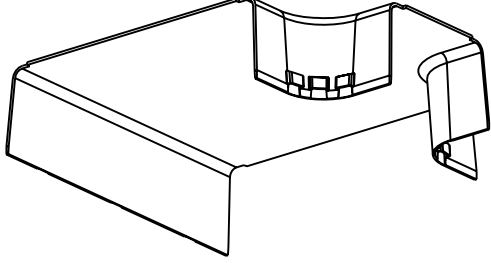


REV	DATE	BY	CHK	DESCRIPTION	ECN	R	CUST	SUP	GMBH	CHK'D	HIM
1	7-14-06	DTP	RN	A. REVISED AND REDRAWN	37617-60	RN	RN			12-28-00	ABS
-	-	-	-	B. REVISED CAD FILENAME	-	-	-			JHNU	
-	-	-	-	C. REVISED GENERAL NOTES	-	-	-				
-	-	-	-	D. REVISED PART WEIGHT	-	-	-				

CAD FILENAME/LAYERS  FRT12X4W6.ppt

ENG. REF.: D37617CM-DC-FRT12X4W6-01.ppt



1. SEE CURRENT CATALOG FOR ADDITIONAL PART SUFFIXES TO INDICATE COLOR AND/OR PACKAGE QUANTITY.
2. THE FIBERRUNNER 12x4 HORIZONTAL TEE FITTING WITH 6" EXIT IS DESIGNED WITH A MINIMUM 2" (50.8) BEND RADIUS TO PROTECT FIBER OPTIC CABLES.
3. DIMENSIONS IN PARENTHESSES ARE IN METRIC.

NOTES:

PANDUIT PART NUMBER	FRT12X4W6
WEIGHT	1.85 LB/EACH (838g/EACH)



SIZE
A

37617-60

ABS

HIM

CHK'D

GMBH

SUP

CUST

R

ECN

-

-

-

DESCRIPTION

CHK

BY

DATE

REV

1

7-14-06

DTP

RN

-

-

-

-

-

-

-

-

-

-

-

-

-

-

-

-

-

-

-

-

-

-

NONE

SCALE

MAT'L:

DRAWN BY

JHNU

DATE

12-28-00

UNLESS OTHERWISE SPECIFIED

DIMENSIONAL TOLERANCES ARE:

(.XX) ±.03 (.8)

(.XXX) ±

ANGLES ±

UNLESS OTHERWISE SPECIFIED


ALL DIMENSIONS ARE GIVEN IN

INCHES, THIRD ANGLE PROJECTION.

FIBERRUNNER 12x4 HORIZONTAL TEE
FITTING WITH 6" EXIT (FRT12X4W6)

CUSTOMER DRAWING

PANDUIT
CORP
TINLEY PARK, ILLINOIS

 FRT12X4W6.ppt

ENG. REF.: D37617CM-DC-FRT12X4W6-01.ppt

X-ON Electronics

Largest Supplier of Electrical and Electronic Components

Click to view similar products for [Wire Ducting](#) category:

Click to view products by [Panduit](#) manufacturer:

Other Similar products are found below :

[66200A-10](#) [CVED32VEPG](#) [CVED40VEPG](#) [F512D5-5F140Y](#) [F512D5-5F200Y](#) [F512D5-5F26Y](#) [F512D5-5F30Y](#) [F512D5-5F33Y](#) [F512D5-5F34Y](#) [F512D5-5F45Y](#) [F512D5-5F50Y](#) [F512D5-5F54Y](#) [F512D5-5F66Y](#) [F512D5-5F70Y](#) [F512D5-5F75Y](#) [F512D5-5F90Y](#) [F612D5-5F100Y](#) [F612D5-5F130Y](#) [F612D5-5F50Y](#) [F612D5-5F56Y](#) [F612D5-5F58Y](#) [F6L12D5-5F46](#) [F912D5-5F11Y](#) [F912D5-5F170Y](#) [F912D5-5F175Y](#) [F912D5-5F230Y](#) [F912D5-5F300Y](#) [F912D5-5F55Y](#) [F912D5-5F56Y](#) [F912D5-5F63Y](#) [F912D5-5F6Y](#) [F912D5-5F75Y](#) [F912D5-5F85Y](#) [F912D5-5F86Y](#) [F912D5-5F88Y](#) [F912D5-5F96Y](#) [FAP0047WBLMTP](#) [FAP12WBRDRDDLZ](#) [FAP12WDYLYLDLZ](#) [FAP12WEORORDLZ](#) [FAP6WEORORDLZ](#) [FAP6WFDBDBDLZ](#) [FAP8WEORORDLZ](#) [FCE2UWCL](#) [800A-LB](#) [802A-ECSP](#) [802I-ICSP](#) [FJQADH](#) [FJQFXT](#) [PED10](#)