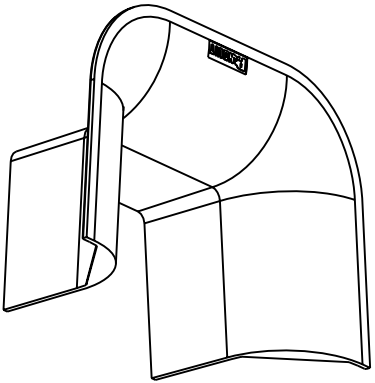
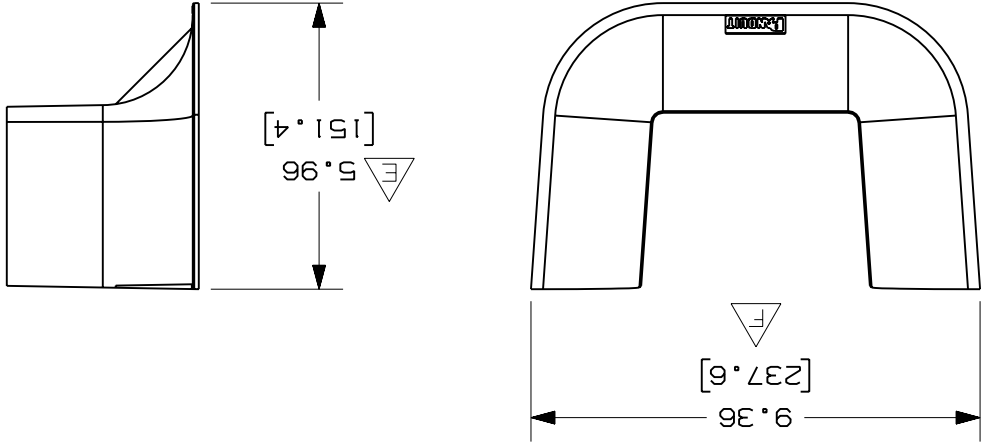
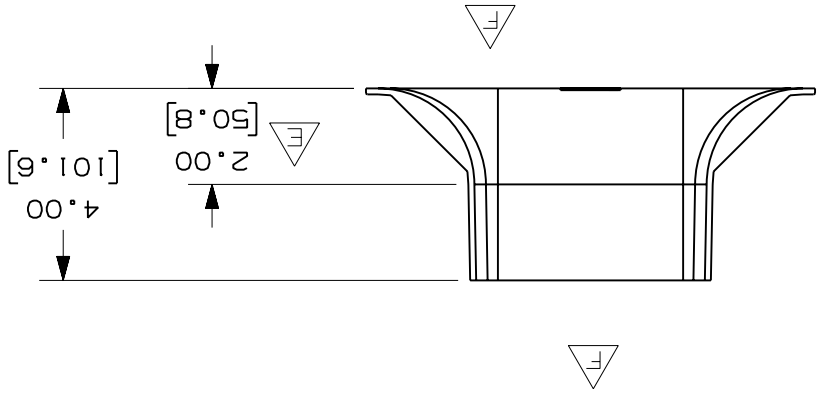


PANDUIT PART NUMBER	FRR4X4
WEIGHT	0.38 LB/EACH (117g/EACH)

NOTES:

1. SEE CURRENT CATALOG FOR ADDITIONAL PART SUFFIXES TO INDICATE COLOR AND/OR PACKAGE QUANTITY.
2. THE FIBERRUNNER 4x4 3-SIDED BEND RADIUS CONTROL TRUMPET IS DESIGNED WITH A MINIMUM 2" (50.8) BEND RADIUS TO PROTECT FIBER OPTIC CABLES.
3. DIMENSIONS IN PARENTHESES ARE IN METRIC.



ENG. REF.: D37847BC\_DC-FRR4X4\_01.prt

CAD FILENAME/LAYERS

FRR4X4.pdf

PANDUIT  
CORP  
TINLEY PARK, ILLINOIS

FIBERRUNNER 4x4 3-SIDED BEND  
RADIUS CONTROL TRUMPET (FRR4X4)

UNLESS OTHERWISE SPECIFIED,  
DIMENSIONAL TOLERANCES ARE:  
(.XX) ±.03 (.8)  
(.XXX) ±  
ANGLES ±  
UNLESS OTHERWISE SPECIFIED,  
ALL DIMENSIONS ARE GIVEN IN  
INCHES, THIRD ANGLE PROJECTION.

SCALE  
NONE

DRAWING NO. 37847-67  
SIZE A

ABS

REV

DATE

BY

CHK

DESCRIPTION

ECN

R

CUST

SUP

GMBH

CHK'D

RPA

DATE

7-18-01

JHNU

37847-67

HIW

HIW

37847-67

RN

RN

37847-67

REMOVED DIMENSIONS

E. RELOCATED DIMENSIONS

D. REVISED PART WEIGHT

C. REVISED GENERAL NOTES

B. REVISED CAD FILENAME

A. REVISED DRAWING TITLE

37847-67

RN

DTP

JHNU

RPA

RELEASED TO PRODUCTION

37847-67

HIW

HIW

37847-67

7-18-01

JHNU

RPA

7-18-01

JHNU

RPA

7-18-01

JHNU

RPA

7-18-01

JHNU

RPA

7-18-01

JHNU

RPA

7-18-01

JHNU

RPA

7-18-01

JHNU

RPA

7-18-01

JHNU

RPA

7-18-01

JHNU

## X-ON Electronics

Largest Supplier of Electrical and Electronic Components

*Click to view similar products for [Wire Ducting](#) category:*

*Click to view products by [Panduit](#) manufacturer:*

Other Similar products are found below :

[66200A-10](#) [CVED32VEPG](#) [CVED40VEPG](#) [F512D5-5F140Y](#) [F512D5-5F200Y](#) [F512D5-5F26Y](#) [F512D5-5F30Y](#) [F512D5-5F33Y](#) [F512D5-5F34Y](#) [F512D5-5F45Y](#) [F512D5-5F50Y](#) [F512D5-5F54Y](#) [F512D5-5F66Y](#) [F512D5-5F70Y](#) [F512D5-5F75Y](#) [F512D5-5F90Y](#) [F612D5-5F100Y](#) [F612D5-5F130Y](#) [F612D5-5F50Y](#) [F612D5-5F56Y](#) [F612D5-5F58Y](#) [F6L12D5-5F46](#) [F912D5-5F11Y](#) [F912D5-5F170Y](#) [F912D5-5F175Y](#) [F912D5-5F230Y](#) [F912D5-5F300Y](#) [F912D5-5F55Y](#) [F912D5-5F56Y](#) [F912D5-5F63Y](#) [F912D5-5F6Y](#) [F912D5-5F75Y](#) [F912D5-5F85Y](#) [F912D5-5F86Y](#) [F912D5-5F88Y](#) [F912D5-5F96Y](#) [FAP0047WBLMTP](#) [FAP12WBRDRDDLZ](#) [FAP12WDYLYLDLZ](#) [FAP12WEORORDLZ](#) [FAP6WEORORDLZ](#) [FAP6WFDBDBDLZ](#) [FAP8WEORORDLZ](#) [FCE2UWCL](#) [800A-LB](#) [802A-ECSP](#) [802I-ICSP](#) [FJQADH](#) [FJQFXT](#) [PED10](#)