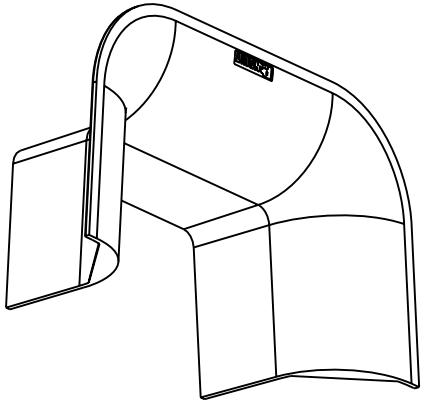
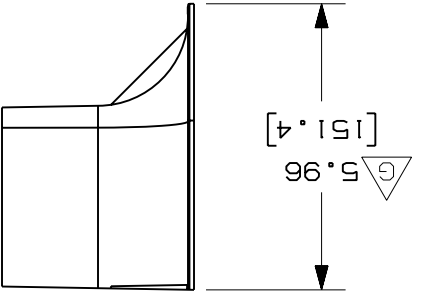
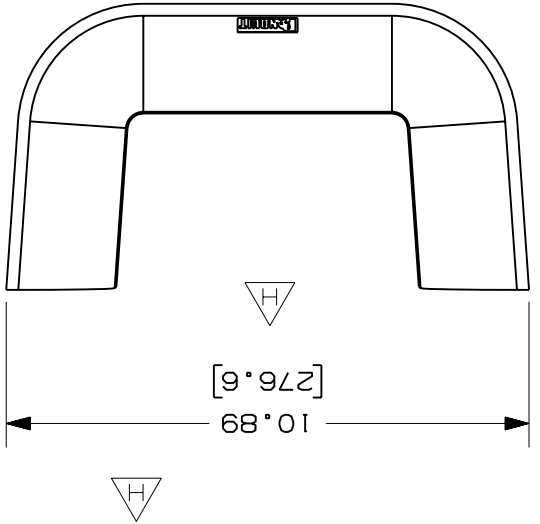
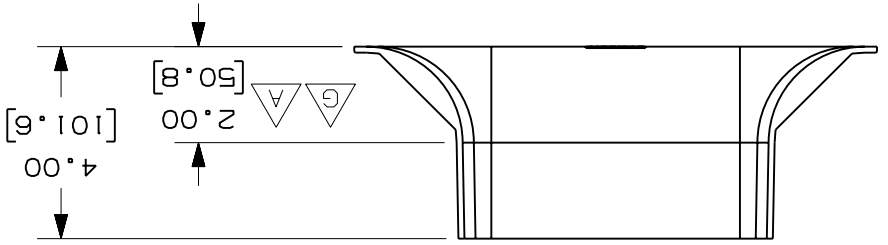


PANDUIT PART NUMBER	FRT6X4
WEIGHT	0.43 LB/EACH (195g/EACH)

NOTES:

1. SEE CURRENT CATALOG FOR ADDITIONAL PART SUFFIXES TO INDICATE COLOR AND/OR PACKAGE QUANTITY.
2. THE FIBERRUNNER 6x4 3-SIDED BEND RADIUS CONTROL TRUMPET IS DESIGNED WITH A MINIMUM 2" (50.8) BEND RADIUS TO PROTECT FIBER OPTIC CABLES.
3. DIMENSIONS IN PARENTHESES ARE IN METRIC.



ENG. REF.: D37185FM\_DC\_FRT6X4\_01.prt B

CAD FILENAME/LAYERS

FRT6X4.pdf

PANDUIT  
CORP  
TINLEY PARK, ILLINOIS

FIBERRUNNER 6x4 3-SIDED BEND  
RADIUS CONTROL TRUMPET (FRT6X4)

UNLESS OTHERWISE SPECIFIED,  
DIMENSIONAL TOLERANCES ARE:  
(.XX) ±.03 (.8)  
(.XXX) ±  
ANGLES ±  
INCHES, THIRD ANGLE PROJECTION.

SCALE NONE

REV	DATE	BY	CHK	DESCRIPTION	ECN	R	CUST	SUP	GMBH	CHK'D	RPA
R	1-22-01	JHNU	RPA	RELEASED TO PRODUCTION	37185-95	HIW	HIW			1-22-01	
1	6-20-01	JHNU	HIW	A. ADDED DIMENSION B. REVISED FILENAME	37185-95	HIW	HIW			JHNU	
2	7-14-06	DTP	RN	C. REVISED DRAWING TITLE D. REVISED CAD FILENAME E. REVISED GENERAL NOTES F. REVISED PART WEIGHT G. RELOCATED DIMENSIONS H. REMOVED DIMENSIONS	37185-95	RN	RN				

DRAWING NO. 37185-95

SIZE A

ABS

## X-ON Electronics

Largest Supplier of Electrical and Electronic Components

*Click to view similar products for [Wire Ducting](#) category:*

*Click to view products by [Panduit](#) manufacturer:*

Other Similar products are found below :

[66200A-10](#) [CVED32VEPG](#) [CVED40VEPG](#) [F512D5-5F140Y](#) [F512D5-5F200Y](#) [F512D5-5F26Y](#) [F512D5-5F30Y](#) [F512D5-5F33Y](#) [F512D5-5F34Y](#) [F512D5-5F45Y](#) [F512D5-5F50Y](#) [F512D5-5F54Y](#) [F512D5-5F66Y](#) [F512D5-5F70Y](#) [F512D5-5F75Y](#) [F512D5-5F90Y](#) [F612D5-5F100Y](#) [F612D5-5F130Y](#) [F612D5-5F50Y](#) [F612D5-5F56Y](#) [F612D5-5F58Y](#) [F6L12D5-5F46](#) [F912D5-5F11Y](#) [F912D5-5F170Y](#) [F912D5-5F175Y](#) [F912D5-5F230Y](#) [F912D5-5F300Y](#) [F912D5-5F55Y](#) [F912D5-5F56Y](#) [F912D5-5F63Y](#) [F912D5-5F6Y](#) [F912D5-5F75Y](#) [F912D5-5F85Y](#) [F912D5-5F86Y](#) [F912D5-5F88Y](#) [F912D5-5F96Y](#) [FAP0047WBLMTP](#) [FAP12WBRDRDDLZ](#) [FAP12WDYLYLDLZ](#) [FAP12WEORORDLZ](#) [FAP6WEORORDLZ](#) [FAP6WFDBDBDLZ](#) [FAP8WEORORDLZ](#) [FCE2UWCL](#) [800A-LB](#) [802A-ECSP](#) [802I-ICSP](#) [FJQADH](#) [FJQFXT](#) [PED10](#)