

REV	DATE	BY	CHK	DESCRIPTION	ECN	R	CUST	SUP	GMBH	RPA
1	7-17-06	DTP	RN	A. REVISED AND REDRAWN	37847-53	RN	RN			7-16-01
-	----	----	----	B. REVISED DRAWING TITLE	-----	--	--			JHNU
-	----	----	----	C. REVISED CAD FILENAME	-----	--	--			
-	----	----	----	D. REVISED GENERAL NOTES	-----	--	--			
-	----	----	----	E. REVISED PART WEIGHT	-----	--	--			

CAD FILENAME/LAYERS C FRTSC4.ppt

ENG. REF.: D37847CV_DC_FRTSC4-01.ppt

UNLESS OTHERWISE SPECIFIED, DIMENSIONAL TOLERANCES ARE:
 (.XX) ±.03 (.8) ANGLES ± (.XXX)
 (.X) ±.03 (.8) ANGLES ± (.XXX)
 UNLESS OTHERWISE SPECIFIED, ALL DIMENSIONS ARE GIVEN IN INCHES, THIRD ANGLE PROJECTION.

SCALE NONE

DRAWING NO. 37847-53

SIZE A

ABS

PANDUIT

FIBERRUNNER 4x4 HORIZONTAL

TEE SPLIT COVER (FRTSC4)

CUSTOMER DRAWING

TINLEY PARK, ILLINOIS

CORP

PANDUIT

FRTSC4.ppt

UNLESS OTHERWISE SPECIFIED, DIMENSIONAL TOLERANCES ARE:
 (.XX) ±.03 (.8) ANGLES ± (.XXX)
 (.X) ±.03 (.8) ANGLES ± (.XXX)
 UNLESS OTHERWISE SPECIFIED, ALL DIMENSIONS ARE GIVEN IN INCHES, THIRD ANGLE PROJECTION.

SCALE NONE

DRAWING NO. 37847-53

SIZE A

ABS

PANDUIT

FIBERRUNNER 4x4 HORIZONTAL

TEE SPLIT COVER (FRTSC4)

CUSTOMER DRAWING

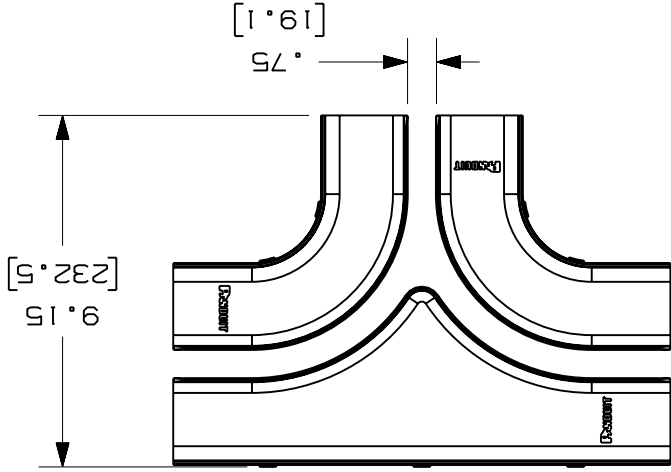
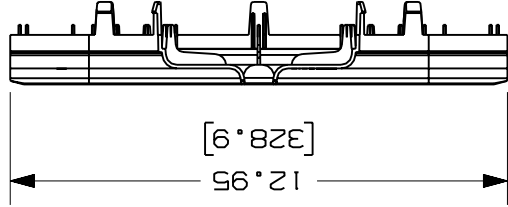
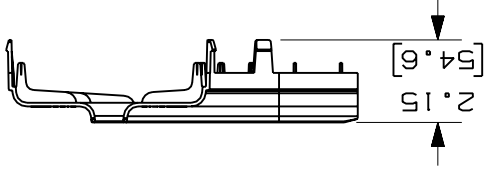
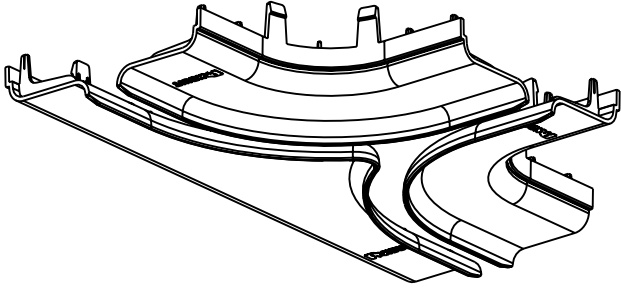
TINLEY PARK, ILLINOIS

CORP

PANDUIT

FRTSC4.ppt

UNLESS OTHERWISE SPECIFIED, DIMENSIONAL TOLERANCES ARE:
 (.XX) ±.03 (.8) ANGLES ± (.XXX)
 (.X) ±.03 (.8) ANGLES ± (.XXX)
 UNLESS OTHERWISE SPECIFIED, ALL DIMENSIONS ARE GIVEN IN INCHES, THIRD ANGLE PROJECTION.



1. SEE CURRENT CATALOG FOR ADDITIONAL PART SUFFIXES TO INDICATE COLOR AND/OR PACKAGE QUANTITY.
2. THE FIBERRUNNER 4x4 HORIZONTAL TEE SPLIT COVER REQUIRES NO TOOLS FOR INSTALLATION AND/OR REMOVAL. THE SPLIT COVER CREATES A 3/4" (19.1) RADIUS OPENING TO ALLOW FOR NEW CABLES TO BE ADDED WITHOUT THE NEED FOR REMOVING THE COVERS.
3. DIMENSIONS IN PARENTHESES ARE IN METRIC.

NOTES:

PART NUMBER	FRTSC4
WEIGHT	0.48 LB/EACH (1212g/EACH)

X-ON Electronics

Largest Supplier of Electrical and Electronic Components

Click to view similar products for [Wire Ducting](#) category:

Click to view products by [Panduit](#) manufacturer:

Other Similar products are found below :

[66200A-10](#) [CVED32VEPG](#) [CVED40VEPG](#) [F512D5-5F140Y](#) [F512D5-5F200Y](#) [F512D5-5F26Y](#) [F512D5-5F30Y](#) [F512D5-5F33Y](#) [F512D5-5F34Y](#) [F512D5-5F45Y](#) [F512D5-5F50Y](#) [F512D5-5F54Y](#) [F512D5-5F66Y](#) [F512D5-5F70Y](#) [F512D5-5F75Y](#) [F512D5-5F90Y](#) [F612D5-5F100Y](#) [F612D5-5F130Y](#) [F612D5-5F50Y](#) [F612D5-5F56Y](#) [F612D5-5F58Y](#) [F6L12D5-5F46](#) [F912D5-5F11Y](#) [F912D5-5F170Y](#) [F912D5-5F175Y](#) [F912D5-5F230Y](#) [F912D5-5F300Y](#) [F912D5-5F55Y](#) [F912D5-5F56Y](#) [F912D5-5F63Y](#) [F912D5-5F6Y](#) [F912D5-5F75Y](#) [F912D5-5F85Y](#) [F912D5-5F86Y](#) [F912D5-5F88Y](#) [F912D5-5F96Y](#) [FAP0047WBLMTP](#) [FAP12WBRDRDDLZ](#) [FAP12WDYLYLDLZ](#) [FAP12WEORORDLZ](#) [FAP6WEORORDLZ](#) [FAP6WFDBDBDLZ](#) [FAP8WEORORDLZ](#) [FCE2UWCL](#) [800A-LB](#) [802A-ECSP](#) [802I-ICSP](#) [FJQADH](#) [FJQFXT](#) [PED10](#)