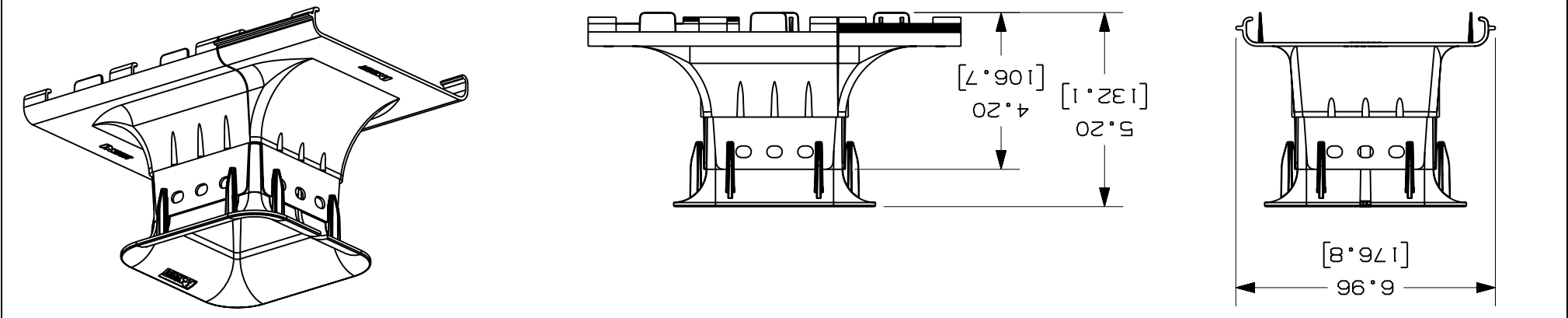


REV	DATE	BY	CHK	DESCRIPTION	ECN	R	CUST	SUP	GMBH	DJWA	ABS	38154-06	SIZE A
1	7-24-06	DTP	RN	A. REVISED AND REDRAWN	38154-06	RN	RN			10-12-01		DRAWING NO. 38154-06	
-	-	-	-	B. REVISED DRAWING TITLE	-	-	-	-	-	JHNU		SCALE NONE	
-	-	-	-	C. REVISED CAD FILENAME	-	-	-	-	-			MAT'L:	
-	-	-	-	D. REVISED GENERAL NOTES	-	-	-	-	-			UNLESS OTHERWISE SPECIFIED, DIMENSIONAL TOLERANCES ARE: (.XX) ±.03 (.B) (.XXX) (.X) ±.03 (.B) ANGLES ±	
-	-	-	-	E. REVISED PART WEIGHT	-	-	-	-	-			UNLESS OTHERWISE SPECIFIED, DIMENSIONS ARE GIVEN IN INCHES, THIRD ANGLE PROJECTION.	

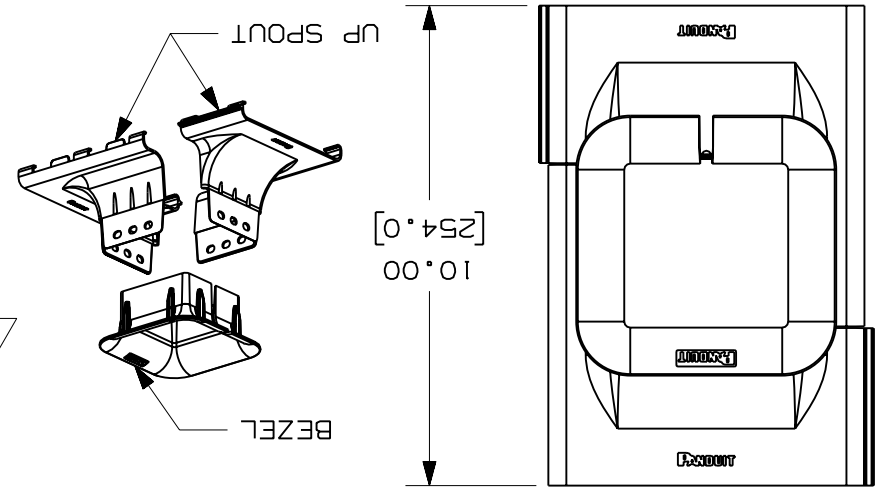
CAD FILENAME/LAYERS
FRUPS6X4.ppt

ENG. REF.: D38154BF_DC_FRUPS6X4_01.ppt



1. SEE CURRENT CATALOG FOR ADDITIONAL PART SUFFIXES TO INDICATE COLOR AND/OR PACKAGE QUANTITY.
2. THE FIBERRUNNER 6x4 UP SPOUT IS DESIGNED WITH A MINIMUM 2" (50.8) BEND RADIUS TO PROTECT FIBER OPTIC CABLES. THE RADIUS OF THE FIBER OPTIC CABLES ENTERING OR EXITING THE FITTING.
3. THE FIBERRUNNER 6x4 UP SPOUT INCLUDES: TWO (2) UP SPOUT COMPONENTS, ONE (1) RADIUS BEZEL
4. DIMENSIONS IN PARENTHESES ARE IN METRIC.

PANDUIT PART NUMBER	FRUPS6X4
WEIGHT	0.59 LB/EACH (269g/EACH)



NOTES:

X-ON Electronics

Largest Supplier of Electrical and Electronic Components

Click to view similar products for [Wire Ducting](#) category:

Click to view products by [Panduit](#) manufacturer:

Other Similar products are found below :

[66200A-10](#) [CVED32VEPG](#) [CVED40VEPG](#) [F512D5-5F140Y](#) [F512D5-5F200Y](#) [F512D5-5F26Y](#) [F512D5-5F30Y](#) [F512D5-5F33Y](#) [F512D5-5F34Y](#) [F512D5-5F45Y](#) [F512D5-5F50Y](#) [F512D5-5F54Y](#) [F512D5-5F66Y](#) [F512D5-5F70Y](#) [F512D5-5F75Y](#) [F512D5-5F90Y](#) [F612D5-5F100Y](#) [F612D5-5F130Y](#) [F612D5-5F50Y](#) [F612D5-5F56Y](#) [F612D5-5F58Y](#) [F6L12D5-5F46](#) [F912D5-5F11Y](#) [F912D5-5F170Y](#) [F912D5-5F175Y](#) [F912D5-5F230Y](#) [F912D5-5F300Y](#) [F912D5-5F55Y](#) [F912D5-5F56Y](#) [F912D5-5F63Y](#) [F912D5-5F6Y](#) [F912D5-5F75Y](#) [F912D5-5F85Y](#) [F912D5-5F86Y](#) [F912D5-5F88Y](#) [F912D5-5F96Y](#) [FAP0047WBLMTP](#) [FAP12WBRDRDDLZ](#) [FAP12WDYLYLDLZ](#) [FAP12WEORORDLZ](#) [FAP6WEORORDLZ](#) [FAP6WFDBDBDLZ](#) [FAP8WEORORDLZ](#) [FCE2UWCL](#) [800A-LB](#) [802A-ECSP](#) [802I-ICSP](#) [FJQADH](#) [FJQFXT](#) [PED10](#)