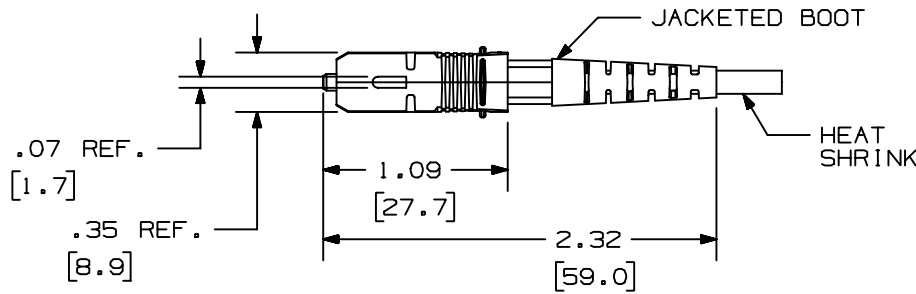
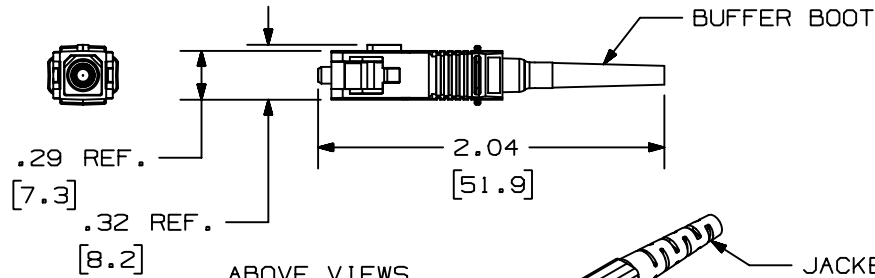


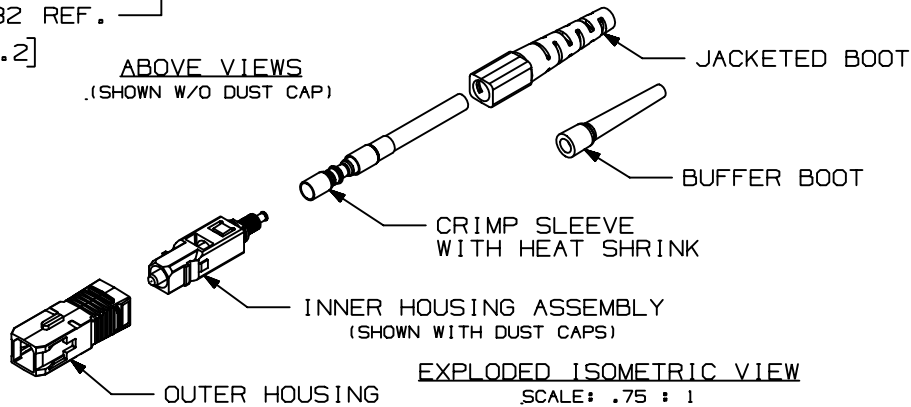
THIS COPY IS PROVIDED ON A RESTRICTED BASIS AND IS NOT TO BE USED IN ANY WAY DETRIMENTAL TO THE INTERESTS OF PANDUIT CORP.



PANDUIT P/N	FIBER SIZE (MICRONS)	WEIGHT
FSCMM2.0**	62.5/125	.082 lb/10 PCS (37.0 g/10 PCS)
FSCMM502.0**	50/125	.082 lb/10 PCS (37.0 g/10 PCS)



ABOVE VIEWS  
(SHOWN W/O DUST CAP)



EXPLODED ISOMETRIC VIEW  
SCALE: .75 : 1

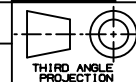
NOTES:

- SEE CURRENT CATALOG FOR ADDITIONAL PART NUMBER SUFFIXES TO INDICATE COLOR AND/OR PACKAGE QUANTITY.
- MATERIALS:
  - A. OUTER HOUSING: POLYETHERIMIDE
  - B. BOOTS: THERMOPLASTIC ELASTOMER
  - C. CRIMP SLEEVE: ALUMINUM WITH HEAT SHRINK
  - D. INNER HOUSING ASSEMBLY:
    - a. INNER HOUSING: POLYCARBONATE
    - b. SPRING: STAINLESS STEEL
    - c. BACKBONE: NICKEL PLATED BRASS
    - d. FERRULE HOLDER: ALUMINUM
    - e. FERRULE: ZIRCONIA (CERAMIC)
- COMPLIES WITH THE FIBER OPTIC PERFORMANCE REQUIREMENTS AS SPECIFIED IN TIA/EIA 568-A AND B.3
- COMPLIES WITH FOCIS-3 (TIA/EIA 604-3)
- DIMENSIONS IN BRACKETS ARE METRIC.

OPTI-CRIMP SC MULTIMODE PRE-POLISHED CRIMP FIBER OPTIC CONNECTOR FOR 2.0mm/1.6mm JACKETED & 900um BUFFER TERMINATIONS  
CUSTOMER DRAWING



**PANDUIT**™  
CORP.  
TINLEY PARK, ILL 60477



ALL DIMENSIONS ARE GIVEN IN INCHES, UNLESS OTHERWISE SPECIFIED,  
DIMENSIONAL TOLERANCES ARE:  
(.X) (.XXX)±.010 (0.3)  
(.XX)±.03 (0.8) ANGLES

DRAWING FILENAME  
M01241AH\_DC\_00A.prt  
SCALE

DRAWN BY

REVIEW DRAWING NUMBERS

PART NO. FSCMM2.0\*\*  
FSCMM502.0\*\*

R	09-17-04	MC		RELEASED TO PRODUCTION	01241-23								
REV	DATE	BY	CHK	DESCRIPTION	ECN	R	CUST	SUP	OTH	CHK'D			

DATE

DATE

DRAWING NO. 01241-23  
SIZE A

## X-ON Electronics

Largest Supplier of Electrical and Electronic Components

*Click to view similar products for [Fiber Optic Connectors](#) category:*

*Click to view products by [Panduit](#) manufacturer:*

Other Similar products are found below :

[0004700001](#) [6100-R](#) [6313](#) [F709034706](#) [F709722200](#) [F718183204](#) [F727403500](#) [F727752800](#) [FCXO-12-3BY](#) [FO-SCREW\(M2X6\)](#) [9440F20-27S-190](#) [944-120-6001](#) [944-125-6003](#) [9441F10SL-3S](#) [9446F10SL-4S](#) [953-101-5310-P](#) [954-101-57202B](#) [A0270169](#) [12-9122](#) [12-5702](#) [143025NC](#) [AX101713](#) [AX102420](#) [AX103923](#) [AX104141](#) [AX104193](#) [AX104228](#) [AX104230](#) [AX104562](#) [AX105203-B25](#) [AX105205-S1](#) [EHSC2M](#) [17-300800](#) [181-011-126](#) [BT34IW](#) [HRFCP-HSCJ-1\(61\)](#) [HRFC-R2\(40\)](#) [NKSOPBUY](#) [20500002116](#) [2064996-1](#) [20800001065](#) [2170](#) [9132](#) [2612](#) [2620](#) [9291](#) [9440F18-19S](#) [9440F20-14P](#) [9440F20-14PW](#) [9440W18-1S](#)