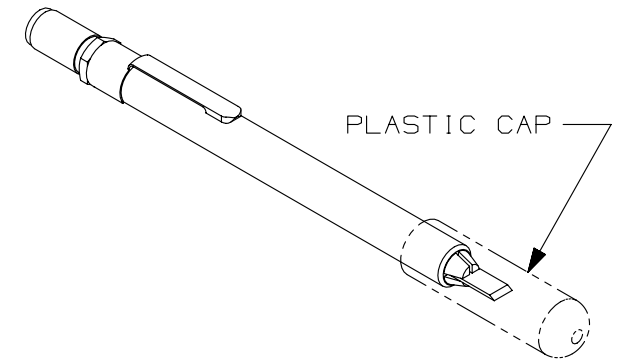
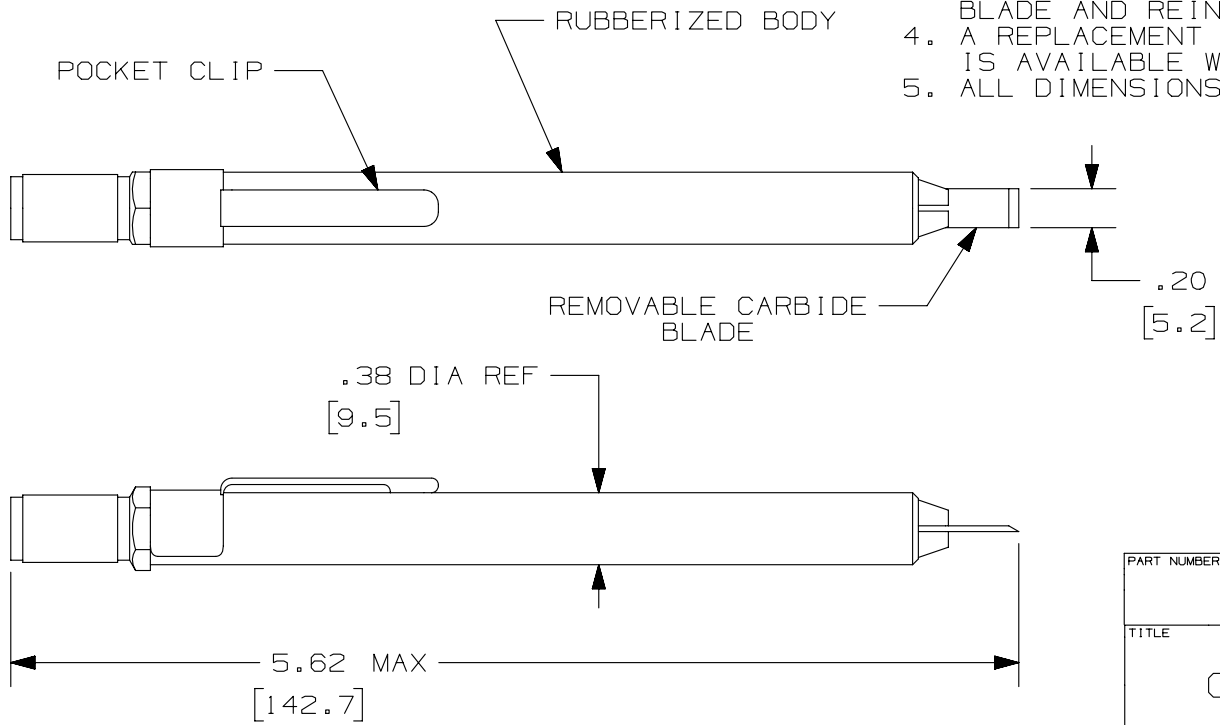


THIS COPY IS PROVIDED ON A RESTRICTED BASIS AND IS NOT TO BE USED IN ANY WAY DETRIMENTAL TO THE INTERESTS OF PANDUIT CORP.

| | |
|---------------------|-----------------------------------|
| PANDUIT PART NUMBER | WEIGHT |
| FSCRIBE | .04 LB./EACH [19.1 GRAMS/EACH] |

NOTES:

1. SEE CURRENT CATALOG FOR ADDITIONAL PART NUMBER SUFFIXES TO INDICATE PACKAGE QUANTITIES.
2. THE TOOL IS USED TO SCORE A GLASS FIBER PRIOR TO THE POLISHING PROCESS.
3. THE TOOL HAS A REMOVABLE CARBIDE BLADE WITH A SCORING EDGE AT EACH END. WHEN THE INITIAL EDGE IS WORN, REMOVE THE BLADE AND REINSERT WITH THE NEW EDGE EXPOSED.
4. A REPLACEMENT BLADE (PANDUIT PART NUMBER "FSCRBLD") IS AVAILABLE WHEN BOTH EDGES OF THE BLADE ARE WORN.
5. ALL DIMENSIONS IN BRACKETS ARE METRIC [mm].



| | | | |
|---|----------|----------------------------|----------|
| PART NUMBER | | FSCRIBE | |
| TITLE | | CARBIDE TERMINATION SCRIBE | |
| | | CUSTOMER DRAWING | |
| ITEM REVISION NAME | | M01190CE/00 | |
| DATASET FILE NAME | | M01190CE_DC/00B | |
| UNLESS OTHERWISE SPECIFIED, DIMENSIONAL TOLERANCES ARE: IN [mm] | | MATERIAL: | |
| .x ± .xx ± .03 [.8] | | .xxx ± .010 [.3] | |
| ANGLES ± | | DRAWING NUMBER: | |
| THIRD ANGLE PROJECTION | | 01190-29 | |
| DRAWN BY | DATE | CHK | SCALE |
| EFK | 07-25-03 | RTF I | NONE |
| REV | DATE | BY | CHK |
| 2 | 2/11/15 | JSP | WJM |
| | | RWB | |
| DESCRIPTION | | APR | ECN |
| A. UPDATED DRAWING TITLE BLOCK. | | | 01190-29 |
| SHT 1 OF 1 | | SIZE A | |

D10100DA/14

X-ON Electronics

Largest Supplier of Electrical and Electronic Components

Click to view similar products for [Other Tools](#) category:

Click to view products by [Panduit](#) manufacturer:

Other Similar products are found below :

[CR-0AFL4--332K](#) [568681-1](#) [5800-0090](#) [58061-1](#) [59065-5](#) [59085](#) [00-8273-RDPP](#) [00-8729-WHPP](#) [593033](#) [593072](#) [593564100](#) [593575](#)
[593593](#) [011349-000](#) [CRCW08052740FRT1](#) [LUC-012S070DSM](#) [LUC-018S070DSP](#) [LUC-024S105DSP](#) [599-2021-3-NME](#) [599-JJ-2021-03](#)
[00-5080-YWPP](#) [00-9089-RDPP](#) [00-9300-RDPP](#) [CRCW2010331JR02](#) [601-JJ-06](#) [601-SPB](#) [601YSY](#) [602-JJ-03](#) [602SPB](#) [603-JJ-07-FP](#) [603-](#)
[JJY-04](#) [M15570-25](#) [CRTN1013](#) [CS16](#) [6-1579014-0](#) [CSB3](#) [6203](#) [62200-5709](#) [6240-1](#) [M43435](#) [TY 2](#) [SZ 3](#) [FIN B](#) [BLK](#) [M-5Z](#) [M6816](#) [M7298](#)
[M7456](#) [M7976](#) [660-29ABT1](#) [662508-1](#) [CVHD-950X-93.333](#) [CW104-01X](#) [671-GP-04-KT39-73207](#)