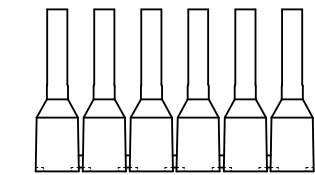
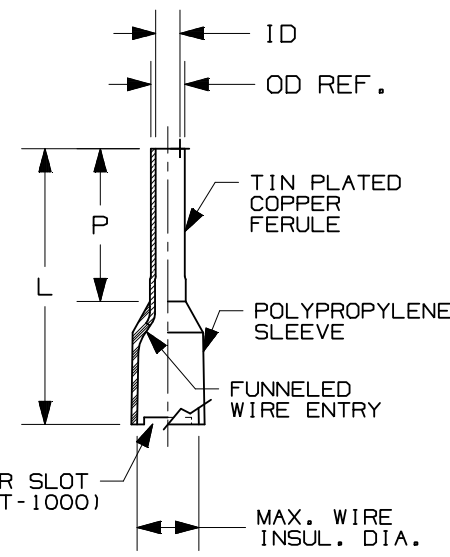


THIS COPY IS PROVIDED ON A RESTRICTED BASIS AND IS NOT TO BE USED IN ANY WAY DETRIMENTAL TO THE INTERESTS OF PANDUIT CORP.

PANDUIT PART #	WIRE RANGE		PACKAGE QTY. (PER STRIP)	COLOR (DIN)	MAX. WIRE INSULATION DIAMETER	WIRE CLASS	DIMENSIONS in. [mm ²]				INSTALLATION TOOL
	AWG	[mm ²]					L	P	OD (REF.)	ID	
* FSD75-8-DSL10	22-20	[0,50]	500 (50)	WHITE	0.10 [2,6]	B, K, M	0.60 [15,2]	0.31 [8,0]	0.05 [1,4]	0.04 [1,0]	CT-1000
FSD76-8-DSL8	18	[0,75]	500 (50)	GRAY	0.11 [2,7]	B, K, M	0.60 [15,2]	0.31 [8,0]	0.06 [1,6]	0.05 [1,2]	
FSD77-8-DSL2	-	[1,00]	500 (50)	RED	0.12 [3,0]	B, K, M	0.60 [15,2]	0.31 [8,0]	0.07 [1,8]	0.06 [1,5]	
FSD78-8-DSL0	16	[1,50]	500 (50)	BLACK	0.13 [3,2]	B, K, M	0.60 [15,2]	0.31 [8,0]	0.08 [2,1]	0.07 [1,8]	
FSD80-8-DSL6	14	[2,50]	500 (50)	BLUE	0.16 [4,0]	M	0.60 [15,2]	0.31 [8,0]	0.10 [2,6]	0.09 [2,3]	



* UL LISTED WITH 20AWG ONLY, UL486F SCOPE IS 20 - 1/0 AWG ONLY. WHITE IS DIN COLOR FOR 20AWG [0,5]

NOTES:

- USED FOR:
 - UL LISTED WITH STRANDED COPPER WIRE ONLY
 - 221°F [105°C] MAX. OPERATING TEMPERATURE
- WIRE STRIP LENGTH: 13/32" ^{+1/32} [10,0^{+0,8}]
- MATERIAL:
 - STAMPING: COPPER, TIN PLATED
 - HOUSING: POLYPROPYLENE, COLOR CODED
 - COLOR CODE CONFORMS TO DIN STANDARD
- DIMENSIONS IN BRACKETS ARE METRIC EQUIVALENT
- FOR TOLERANCING REFER TO DIN 46228 PART 4



LISTED
E472545



CERTIFIED
LR31212

06	12.23.15	TMR	TMR	RGB	ADDED WIRE CLASS, TOOL, STRIP QTY TO TABLE	A41736
05	03.09.15	JHNU	TMR	RGB	FSD76 SIZE WAS 20AWG, FSD77 WAS 18AWG	A41736
04	12.04.14	JHNU	TMR	RGB	ADDED cULus LOGO REVISED NOTE 1A, ADDED NOTE 4C	A41736
03	02.18.13	BDK	BCT	VMB	REMOVED FS FERRULES (NON-DIN) FSD77-8-DSL2 REMOVED 18 AWG EXPANDED WIRE RANGE ON FSD75-8-DSL10 UPDATED DRAWING FORMAT TO CURRENT STANDARDS	A41736
02	02/08	BCT	LCA	LCA	ADDED CSA LOGO AND CERTIFICATION NUMBER	
01	04/07	BCT	BCT	LCA	LENGTH CHANGED TO 'L'; ID-1 ADDED; CHANGED FSD75 & FSD76 P/N'S	TR00250
"	"	"	"	"	ADDED '-8-' TO P/N FOR LENGTH; REMOVED 'D' FROM NON-DIN COLORED PARTS	"
00	01/07	DAW	DAW	LCA	RELEASED	TR00208

TITLE		FERRULES WITH SLEEVES ON STRIPS - SINGLE WIRE	
CUSTOMER DRAWING			
ITEM REVISION NAME	N41736BA/06	PANDUIT	
DATASET FILE NAME	N41736BA_DC/06		
UNLESS OTHERWISE SPECIFIED, DIMENSIONAL TOLERANCES ARE: IN [mm]		MATERIAL:	
.X ± .XX ±		SEE NOTES	
.XXX ± ANGLES ±		DRAWING NUMBER:	
THIRD ANGLE PROJECTION		A41736	

REV	DATE	BY	CHK	APR	DESCRIPTION	ECN	DRAWN BY	DATE	CHK	SCALE	SHT 1 OF 1	SIZE
							DAW	01/08		N.T.S.		A

X-ON Electronics

Largest Supplier of Electrical and Electronic Components

Click to view similar products for [Terminals](#) category:

Click to view products by [Panduit](#) manufacturer:

Other Similar products are found below :

[00-054007-01074-6](#) [00-054007-70206-1](#) [00-054007-70210-8](#) [00-054007-70217-7](#) [00-054007-70226-9](#) [00-054007-70228-3](#) [00-054007-70248-1](#) [00-054007-70256-6](#) [00-054007-70301-3](#) [00-054007-70316-7](#) [0-0320562-0](#) [00-054007-49560-4](#) [00-054007-70209-2](#) [00-054007-70225-2](#) [00-054007-70227-6](#) [00-054007-70231-3](#) [00-054007-70241-2](#) [00-054007-70242-9](#) [00-054007-70244-3](#) [00-054007-70246-7](#) [00-054007-70263-4](#) [00-054007-70288-7](#) [00-054007-70290-0](#) [00-054007-70300-6](#) [00-054007-70304-4](#) [01-2065-1-0216](#) [01-2900-1-04412](#) [00581P0075](#) [600TS-10](#) [60205-1](#) [604200-1](#) [605601-1](#) [60598-1-CUT-TAPE](#) [61314-6-C](#) [61810-3](#) [61-S](#) [61-SN](#) [626-0194](#) [62-NBM-A](#) [62-SN](#) [62-SP](#) [63-S](#) [640179-1](#) [M55155/059I03](#) [M55155/079C01](#) [M55155/099H02](#) [M55155/109H01](#) [M55155/109H02](#) [M55155/12XH05](#) [M55155/16XH02](#)