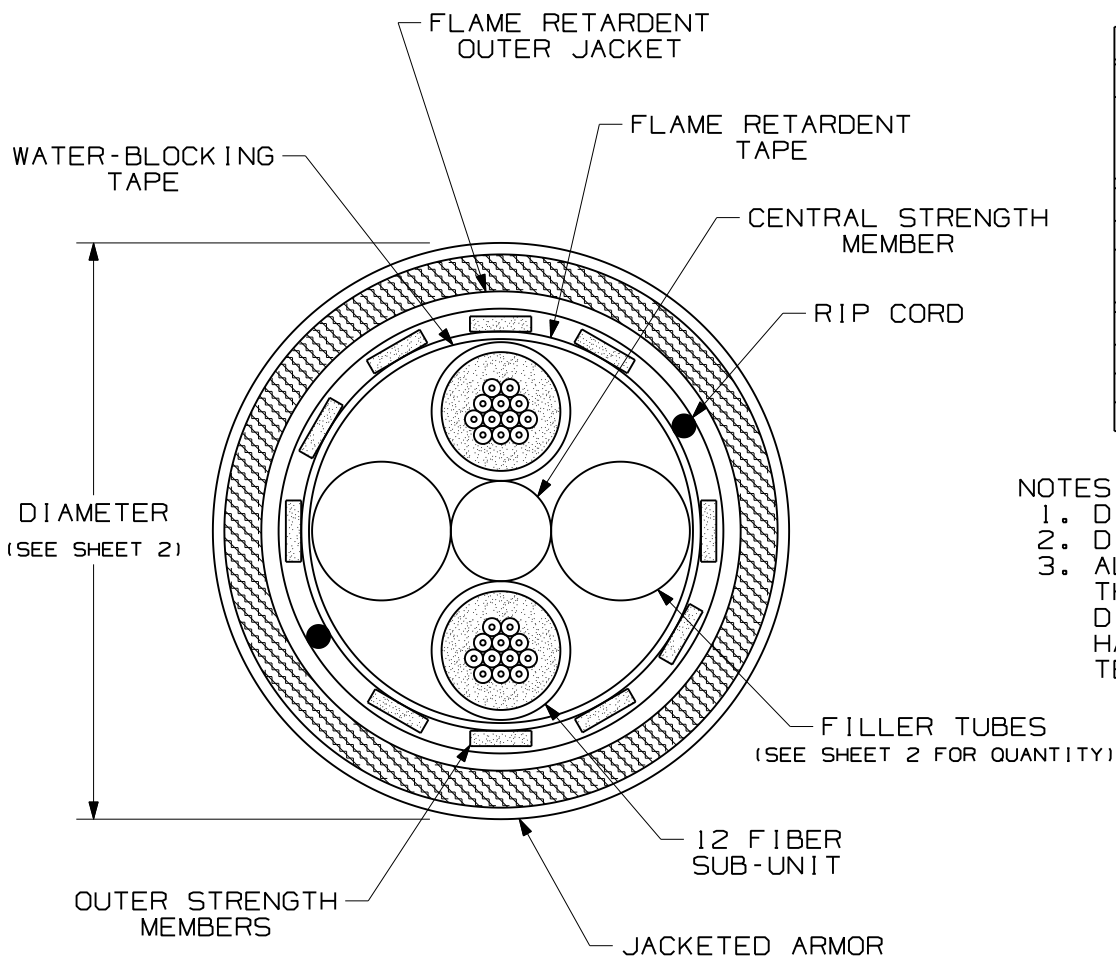


THIS COPY IS PROVIDED ON A RESTRICTED BASIS AND IS NOT TO BE USED IN ANY WAY DETRIMENTAL TO THE INTERESTS OF PANDUIT CORP.


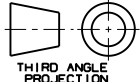


TECHNICAL SPECIFICATIONS		
MAXIMUM LOSS		SINGLEMODE MAXIMUM LOSS
3.5 dB/KM @ 850nm 1.5 dB/KM @ 1300nm		.75 dB/KM @ 1310nm .75 dB/KM @ 1500nm
TENSILE LOAD - RISER RATED		
INSTALLATION		LONG TERM
2700 N (600 lbf)		800 N (180 lbf)
OPERATION	OFCR	OFCP/LSZH
OPERATION	-20° C TO +50° C (-4° F TO +122° F)	0° C TO +50° C (+32° F TO +122° F)
INSTALLATION		
STORAGE	-40° C TO +65° C (-40° F TO +149° F)	

- NOTES:
1. DIAMETER DIMENSION, SHOWN FOR REFERENCE ONLY.
 2. DIMENSIONS IN BRACKETS () ARE ENGLISH.
 3. ALL MATERIALS AND COMPONENTS USED MUST MEET THE MATERIAL RESTRICTIONS OF RoHS (EUROPEAN DIRECTIVE 2002/95/EC ON THE RESTRICTION OF HAZARDOUS SUBSTANCES) AS PROPOSED BY THE RoHS TECHNICAL ADAPTATION COMMITTEE.

										OPTI-CORE 24 FIBER INDOOR-OUTDOOR ARMORED CABLE WITH (2) 12 FIBER SUB-UNITS CUSTOMER DRAWING	
										<p>ALL DIMENSIONS ARE GIVEN IN INCHES, UNLESS OTHERWISE SPECIFIED.</p> <p>DIMENSIONAL TOLERANCES ARE:</p> <p>(.X) (.XXX) ± 0.3 (.010)</p> <p>(.XX) ± 0.8 (.03) ANGLES</p>	
										DRAWING FILENAME M02055BY_DC_24/00B	
										SCALE NONE	
										PART NO. FSM**24Y FOM**24Y	
										DRAWING NO. 02055-180	
										SIZE A	
01	10-27-09	EFK		RELEASED TO PRODUCTION	02055-180						DATE 06-21-07
REV	DATE	BY	CHK	DESCRIPTION	ECN	R	CUST	SUP	OTH	CHK'D WMA	

PANDUIT PART NUMBER	FIBER TYPE	JACKET RATING	DIAMETER	BEND RADIUS		FILLER TUBE QUANTITY
				INSTALLED	LONG TERM	
FSMR924Y	SINGLEMODE 9/125 μ M	OFCR	18.1mm [0.713"]	41.4cm [16.3]	20.7cm [8.2"]	2
FSMP924Y		OFCP				
FSML924Y		OFCR-LS	17.4mm [0.685"]	40.6cm [16.0"]	20.3cm [8.0"]	
FSMR524Y	MULTIMODE 50/125 μ M	OFCR	18.1mm [0.713"]	41.4cm [16.3"]	20.7cm [8.2"]	
FSMP524Y		OFCP				
FSML524Y		OFCR-LS	17.4mm [0.685"]	40.6cm [16.0"]	20.3cm [8.0"]	
FSMR624Y	MULTIMODE 62.5/125 μ M	OFCR	18.1mm [0.713"]	41.4cm [16.3"]	20.7cm [8.2"]	
FSMP624Y		OFCP				
FSML624Y		OFCR-LS	17.4mm [0.685"]	40.6cm [16.0"]	20.3cm [8.0"]	
FOMRX24Y	MULTIMODE 50/125 μ M OM3	OFCR	18.1mm [0.713"]	41.4cm [16.3"]	20.7cm [8.2"]	
FOMPX24Y		OFCP				
FOMLX24Y		OFCR-LS	17.4mm [0.685"]	40.6cm [16.0"]	20.3cm [8.0"]	
FOMRZ24Y	MULTIMODE 50/125 μ M OM4	OFCR	18.1mm [0.713"]	41.4cm [16.3"]	20.7cm [8.2"]	
FOMPZ24Y		OFCP				

										OPTI-CORE 24 FIBER INDOOR-OUTDOOR ARMORED CABLE WITH (2) 12 FIBER SUB-UNITS CUSTOMER DRAWING			
										 PANDUIT TM CORP. TINLEY PARK, ILL 60477			
										 THIRD ANGLE PROJECTION	ALL DIMENSIONS ARE GIVEN IN INCHES, UNLESS OTHERWISE SPECIFIED. DIMENSIONAL TOLERANCES ARE: (.X) (.XXX) \pm 0.3 (.010) (.XX) \pm 0.8 (.03) ANGLES	DRAWING FILENAME M02055BY_DC_24/00B SCALE NONE	
										DRAWN BY EFK	REVIEW DRAWING NUMBERS	PART NO. FSM**24Y FOM**24Y	
01	10-27-09	EFK		RELEASED TO PRODUCTION	02055-180					DATE 06-21-07	DRAWING NO. 02055-180 SHEET 2 OF 2	SIZE A	
REV	DATE	BY	CHK	DESCRIPTION	ECN	R	CUST	SUP	OTH	CHK'D	WMA		

X-ON Electronics

Largest Supplier of Electrical and Electronic Components

Click to view similar products for [Panduit](#) manufacturer:

Other Similar products are found below :

[CF502550F-Q](#) [PK14-8R-X](#) [PK10-56R-L](#) [PCV-110CY](#) [PSL-SCBD-EI](#) [CBX4AW-AY](#) [CBXS2AW-A](#) [CS25-18SL-CY](#) [CFPFLS2SAW](#) [PK10-10R-X](#) [PUM-925-C0](#) [SICH38-C](#) [SICH25-C](#) [CCS19-S8-X](#) [CCH57-S12-M30](#) [PCMBR-13](#) [PCPA11IW](#) [CRE32](#) [M200X042UPT](#)
[M200X050ACT](#) [M200X080FQT](#) [M200X100ACT](#) [M200X100AIT](#) [CRTW](#) [CSVBP](#) [CT-1000](#) [CT-1004](#) [CT-1104](#) [CT-2550CH](#) [CT-2570CH](#)
[M300X050ACT](#) [M300X100ACT](#) [CT-900HPH](#) [CUFB48BL](#) [CVED32VE](#) [CVED32VEPG](#) [CVED40VEN](#) [CVED40VEPG](#) [CWF400](#)
[CWMPV2340](#) [CWMPV2440](#) [CWMPV3340](#) [CWMPV3440](#) [CWST](#) [MBEH-TLR](#) [MBH-MR](#) [MBH-MR316](#) [MBH-TLR316](#) [MBSH-TR](#) [MBS-MR](#)