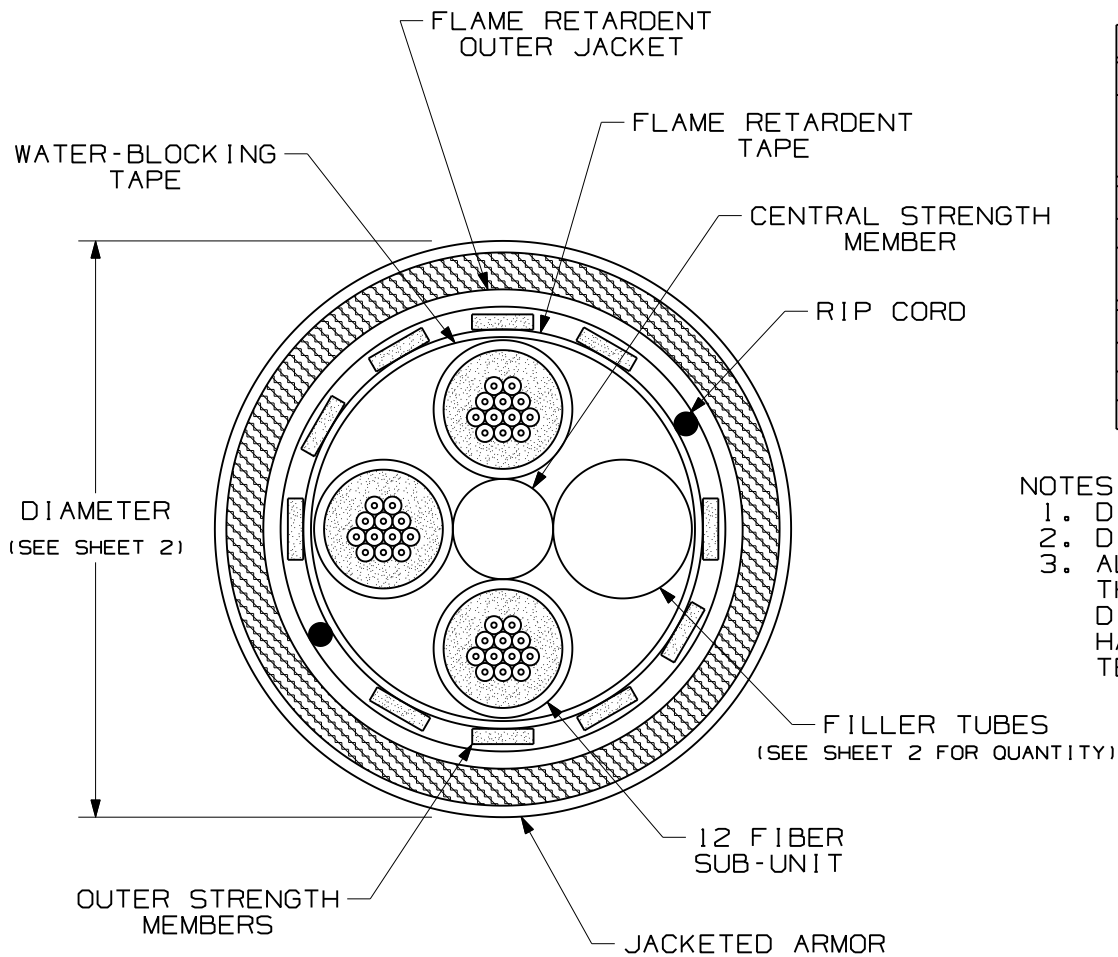


THIS COPY IS PROVIDED ON A RESTRICTED BASIS AND IS NOT TO BE USED IN ANY WAY DETRIMENTAL TO THE INTERESTS OF PANDUIT CORP.



TECHNICAL SPECIFICATIONS		
MAXIMUM LOSS		SINGLEMODE MAXIMUM LOSS
3.5 dB/KM @ 850nm 1.5 dB/KM @ 1300nm		.75 dB/KM @ 1310nm .75 dB/KM @ 1500nm
TENSILE LOAD - RISER RATED		
INSTALLATION		LONG TERM
2700 N (600 lbf)		800 N (180 lbf)
OPERATION	OFCR	OFCP/LSZH
OPERATION	-20° C TO +50° C (-4° F TO +122° F)	0° C TO +50° C (+32° F TO +122° F)
INSTALLATION		
STORAGE	-40° C TO +65° C (-40° F TO +149° F)	

NOTES:

1. DIAMETER DIMENSION, SHOWN FOR REFERENCE ONLY.
2. DIMENSIONS IN BRACKETS () ARE ENGLISH.
3. ALL MATERIALS AND COMPONENTS USED MUST MEET THE MATERIAL RESTRICTIONS OF RoHS (EUROPEAN DIRECTIVE 2002/95/EC ON THE RESTRICTION OF HAZARDOUS SUBSTANCES) AS PROPOSED BY THE RoHS TECHNICAL ADAPTATION COMMITTEE.

REV	DATE	BY	CHK	DESCRIPTION	ECN	R	CUST	SUP	OTH
01	10-27-09	EFK		RELEASED TO PRODUCTION	02055-182				

OPTI-CORE 36 FIBER INDOOR-OUTDOOR ARMORED CABLE WITH (3) 12 FIBER SUB-UNITS
CUSTOMER DRAWING

PANDUIT™
CORP.
TINLEY PARK, ILL 60477


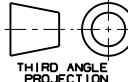
ALL DIMENSIONS ARE GIVEN IN INCHES, UNLESS OTHERWISE SPECIFIED.
DIMENSIONAL TOLERANCES ARE:
(.X) (.XXX) ± 0.3 (.010)
(.XX) ± 0.8 (.03) ANGLES

THIRD ANGLE PROJECTION

DRAWING FILENAME: M02055BY_DC_36/00B
SCALE: NONE
PART NO.: FSM**36Y
FOM**36Y
DRAWING NO.: 02055-182
SIZE: A
SHEET 1 OF 2

DRAWN BY: EFK
DATE: 06-21-07
CHECK'D: WMA
REVIEW DRAWING NUMBERS:

PANDUIT PART NUMBER	FIBER TYPE	JACKET RATING	DIAMETER	BEND RADIUS		FILLER TUBE QUANTITY
				INSTALLED	LONG TERM	
FSMR936Y	SINGLEMODE 9/125μM	OFCR	18.1mm [0.713"]	41.4cm [16.3"]	20.7cm [8.2"]	1
FSMP936Y		OFCP				
FSML936Y		OFCR-LS				
FSMR536Y	MULTIMODE 50/125μM	OFCR	18.1mm [0.713"]	41.4cm [16.3"]	20.7cm [8.2"]	
FSMP536Y		OFCP				
FSML536Y		OFCR-LS				
FSMR636Y	MULTIMODE 62.5/125μM	OFCR	18.1mm [0.713"]	41.4cm [16.3"]	20.7cm [8.2"]	
FSMP636Y		OFCP				
FSML636Y		OFCR-LS				
FOMRX36Y	MULTIMODE 50/125μM OM3	OFCR	18.1mm [0.713"]	41.4cm [16.3"]	20.7cm [8.2"]	
FOMPX36Y		OFCP				
FOMLX36Y		OFCR-LS				
FOMRZ36Y	MULTIMODE 50/125μM OM4	OFCR	18.1mm [0.713"]	41.4cm [16.3"]	20.7cm [8.2"]	
FOMPZ36Y		OFCP				

												OPTI-CORE 36 FIBER INDOOR-OUTDOOR ARMORED CABLE WITH (3) 12 FIBER SUB-UNITS CUSTOMER DRAWING	
													PANDUIT ™ CORP. TINLEY PARK, ILL 60477
													ALL DIMENSIONS ARE GIVEN IN INCHES, UNLESS OTHERWISE SPECIFIED. DIMENSIONAL TOLERANCES ARE: (.X) (.XXX)±0.3 (.010) (.XX)±0.8 (.03) ANGLES
												DRAWING FILENAME M02055BY_DC_36/00B	SCALE NONE
												DRAWN BY EFK	REVIEW DRAWING NUMBERS
												PART NO. FSM**36Y FOM**36Y	DRAWING NO. 02055-182
												SIZE A	SHEET 2 OF 2
01	10-27-09	EFK		RELEASED TO PRODUCTION	02055-182							DATE 06-21-07	CHK'D WMA
REV	DATE	BY	CHK	DESCRIPTION	ECN	R	CUST	SUP	OTH				

X-ON Electronics

Largest Supplier of Electrical and Electronic Components

Click to view similar products for [Fibre Optic Cables](#) category:

Click to view products by [Panduit](#) manufacturer:

Other Similar products are found below :

[FPD01SBS200](#) [FPD06SCC200](#) [FPT01SBS200](#) [FPDK01SCC100](#) [FCS-HCP-DUPLEX-50M](#) [FOSP45-C](#) [FURA3-20](#) [FURA4-20/A](#) [FURD3-20/A](#) [FURD4-20/A](#) [FURO6-20/A](#) [FUTA3-20](#) [FUTA3-20/A](#) [FUTA4-20](#) [FUTA4-20/A](#) [FUTD3-20/A](#) [FUTD4-20/A](#) [FUTO3-20/A](#) [FUTS3-20](#) [FUTS3-20/A](#) [FUTS4-20](#) [FUTS4-20/A](#) [943-99595-10030](#) [FUT-FARR25-20](#) [106800-0062](#) [106803-1006](#) [HFBR-RUD100](#) [2799445](#) [28320002](#) [28030002](#) [28000002](#) [28020002](#) [28051002](#) [28052002](#) [28351002](#) [28320001](#) [28000001](#) [28020001](#) [AERO-AS04-012-A-0X12026BKTT](#) [AERO-DF03-002-D-0XC18TT](#) [HFBR-EUS100Z](#) [HFBR-RUS100Z](#) [ER-500-1-VC-DCY-02-D0-0LWD](#) [EXO-G0-04-A-0LC32BKTT](#) [EXO-G0-08-A-0LC32GYTT](#) [EXO-G0-12-A-0XC32BKTT](#) [EXO-G0-24-A-0XC32BKTT](#) [MK-AX2-04-SM2](#) [106800-0105](#) [106800-0059](#)