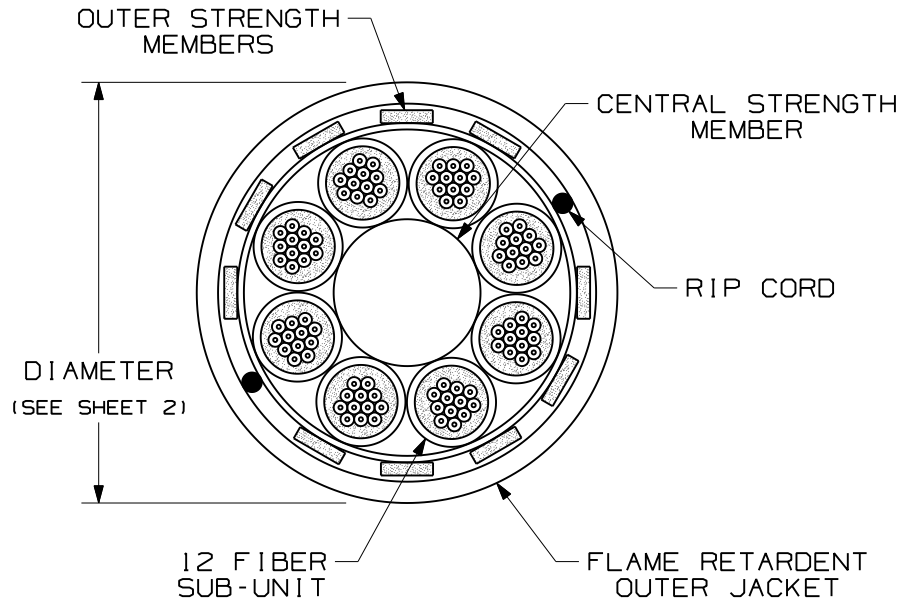


THIS COPY IS PROVIDED ON A RESTRICTED BASIS AND IS NOT TO BE USED IN ANY WAY DETRIMENTAL TO THE INTERESTS OF PANDUIT CORP

NOTES:

1. DIAMETER DIMENSION SHOWN FOR REFERENCE ONLY.
2. DIMENSIONS IN BRACKETS () ARE ENGLISH.
3. ALL MATERIALS AND COMPONENTS USED MUST MEET THE MATERIAL RESTRICTIONS OF RoHS (EUROPEAN DIRECTIVE 2002/95/EC ON THE RESTRICTION OF HAZARDOUS SUBSTANCES AS PROPOSED BY THE RoHS TECHNICAL ADAPTATION COMMITTEE.



TECHNICAL SPECIFICATIONS		
MAXIMUM LOSS		SINGLEMODE MAXIMUM LOSS
3.5 dB/KM @ 850nm 1.5 dB/KM @ 1300nm		.75 dB/KM @ 1310nm .75 dB/KM @ 1500nm
TENSILE LOAD - RISER RATED		
INSTALLATION		LONG TERM
2670 N (600 lbf)		890 N (200 lbf)
TEMPERATURE		
INSTALLATION	OPERATION	STORAGE
-30° C TO +60° C -22° F TO +140° F	-40° C TO +70° C -40° F TO +158° F	-40° C TO +75° C -40° F TO +167° F

REV	DATE	BY	CHK	DESCRIPTION	ECN	R	CUST	SUP	OTH
02	10-28-09	EFK		RELEASED TO PRODUCTION	02055-92				

OPTI-CORE 96 FIBER INDOOR-OUTDOOR CABLE WITH (8) 12 FIBER SUB-UNITS
CUSTOMER DRAWING

PANDUIT™
CORP.
TINLEY PARK, ILL 60477

ALL DIMENSIONS ARE GIVEN IN INCHES, UNLESS OTHERWISE SPECIFIED.
DIMENSIONAL TOLERANCES ARE:
(.X) (.XXX) ±0.3 (.010)
(.XX) ±0.8 (.03) ANGLES

THIRD ANGLE PROJECTION

DRAWING FILENAME: M02055BZ_DC_96/00C
SCALE: NONE
PART NO.: FSN**96Y
FON**96Y
DRAWING NO.: 02055-92
SHEET 1 OF 2
SIZE: A

DRAWN BY: MC
DATE: 06-03-05
CHK'D: WMA
REVIEW DRAWING NUMBERS:

X-ON Electronics

Largest Supplier of Electrical and Electronic Components

Click to view similar products for [Panduit](#) manufacturer:

Other Similar products are found below :

[CF502550F-Q](#) [PK14-8R-X](#) [PK10-56R-L](#) [PCV-110CY](#) [PSL-SCBD-EI](#) [CBX4AW-AY](#) [CBXS2AW-A](#) [CS25-18SL-CY](#) [CFPFLS2SAW](#) [PK10-10R-X](#) [PUM-925-C0](#) [SICH38-C](#) [SICH25-C](#) [CCS19-S8-X](#) [CCH57-S12-M30](#) [PCMBR-13](#) [PCPA11IW](#) [CRE32](#) [M200X042UPT](#)
[M200X050ACT](#) [M200X080FQT](#) [M200X100ACT](#) [M200X100AIT](#) [CRTW](#) [CSVBP](#) [CT-1000](#) [CT-1004](#) [CT-1104](#) [CT-2550CH](#) [CT-2570CH](#)
[M300X050ACT](#) [M300X100ACT](#) [CT-900HPH](#) [CUFB48BL](#) [CVED32VE](#) [CVED32VEPG](#) [CVED40VEN](#) [CVED40VEPG](#) [CWF400](#)
[CWMPV2340](#) [CWMPV2440](#) [CWMPV3340](#) [CWMPV3440](#) [CWST](#) [MBEH-TLR](#) [MBH-MR](#) [MBH-MR316](#) [MBH-TLR316](#) [MBSH-TR](#) [MBS-MR](#)