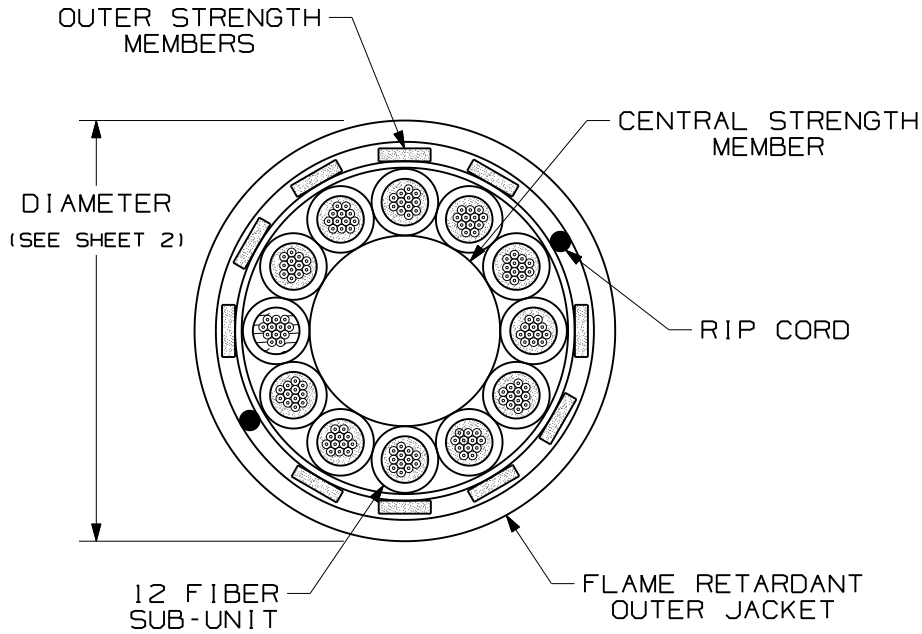


THIS COPY IS PROVIDED ON A RESTRICTED BASIS AND IS NOT TO BE USED IN ANY WAY DETRIMENTAL TO THE INTEREST OF PANDUIT CORP.

NOTES:

1. DIAMETER DIMENSION SHOWN FOR REFERENCE ONLY.
2. DIMENSIONS IN BRACKETS [] ARE ENGLISH.
3. ALL MATERIALS AND COMPONENTS USED MUST MEET THE MATERIAL RESTRICTIONS OF RoHS (EUROPEAN DIRECTIVE 2002/95/EC ON THE RESTRICTION OF HAZARDOUS SUBSTANCES AS PROPOSED BY THE RoHS TECHNICAL ADAPTATION COMMITTEE).



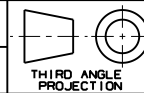
| TECHNICAL SPECIFICATIONS | | |
|---|---------------------------------------|--|
| MAXIMUM LOSS | | SINGLEMODE MAXIMUM LOSS |
| 3.5 dB/KM @ 850nm 1.5 dB/KM @ 1300nm | | .75 dB/KM @ 1310nm .75 dB/KM @ 1500nm |
| TENSILE LOAD - RISER RATED | | |
| INSTALLATION | | LONG TERM |
| 2670 N (600 lbf) | | 890 N (200 lbf) |
| TEMPERATURE | | |
| INSTALLATION | OPERATION | STORAGE |
| -30° C TO +60° C -22° F TO +140° F | -40° C TO +70° C -40° F TO +158° F | -40° C TO +75° C -40° F TO +167° F |

| REV | DATE | BY | CHK | DESCRIPTION | ECN | R | CUST | SUP | OTH |
|-----|----------|-----|-----|------------------------|----------|---|------|-----|-----|
| 02 | 10-28-09 | EFK | | RELEASED TO PRODUCTION | 02055-93 | | | | |

OPTI-CORE 144 FIBER INDOOR-OUTDOOR CABLE WITH (12) 12 FIBER SUB-UNITS
CUSTOMER DRAWING



PANDUIT™
CORP.
TINLEY PARK, ILL 60477



THIRD ANGLE
PROJECTION

ALL DIMENSIONS ARE GIVEN IN INCHES,
UNLESS OTHERWISE SPECIFIED,
DIMENSIONAL TOLERANCES ARE:
(.X) (.XXX)±0.3 (.010)
(.XX)±0.8 (.03) ANGLES

DRAWING FILENAME
MO2055BZ_DC_144/00C

SCALE
NONE

DRAWN BY
MC

REVIEW DRAWING NUMBERS

PART NO. FSN**1AY
FON**1AY

DATE
06-03-05

CHK'D
WMA

DRAWING NO.
02055-93
SHEET 1 OF 2

SIZE
A

X-ON Electronics

Largest Supplier of Electrical and Electronic Components

Click to view similar products for [Wire Ducting](#) category:

Click to view products by [Panduit](#) manufacturer:

Other Similar products are found below :

[66200A-10](#) [CVED32VEPG](#) [CVED40VEPG](#) [F512D5-5F140Y](#) [F512D5-5F200Y](#) [F512D5-5F26Y](#) [F512D5-5F30Y](#) [F512D5-5F33Y](#) [F512D5-5F34Y](#) [F512D5-5F45Y](#) [F512D5-5F50Y](#) [F512D5-5F54Y](#) [F512D5-5F66Y](#) [F512D5-5F70Y](#) [F512D5-5F75Y](#) [F512D5-5F90Y](#) [F612D5-5F100Y](#) [F612D5-5F130Y](#) [F612D5-5F50Y](#) [F612D5-5F56Y](#) [F612D5-5F58Y](#) [F6L12D5-5F46](#) [F912D5-5F11Y](#) [F912D5-5F170Y](#) [F912D5-5F175Y](#) [F912D5-5F230Y](#) [F912D5-5F300Y](#) [F912D5-5F55Y](#) [F912D5-5F56Y](#) [F912D5-5F63Y](#) [F912D5-5F6Y](#) [F912D5-5F75Y](#) [F912D5-5F85Y](#) [F912D5-5F86Y](#) [F912D5-5F88Y](#) [F912D5-5F96Y](#) [FAP0047WBLMTP](#) [FAP12WBRDRDDLZ](#) [FAP12WDYLYLDLZ](#) [FAP12WEORORDLZ](#) [FAP6WEORORDLZ](#) [FAP6WFDBDBDLZ](#) [FAP8WEORORDLZ](#) [FCE2UWCL](#) [800A-LB](#) [802A-ECSP](#) [802I-ICSP](#) [FJQADH](#) [FJQFXT](#) [PED10](#)