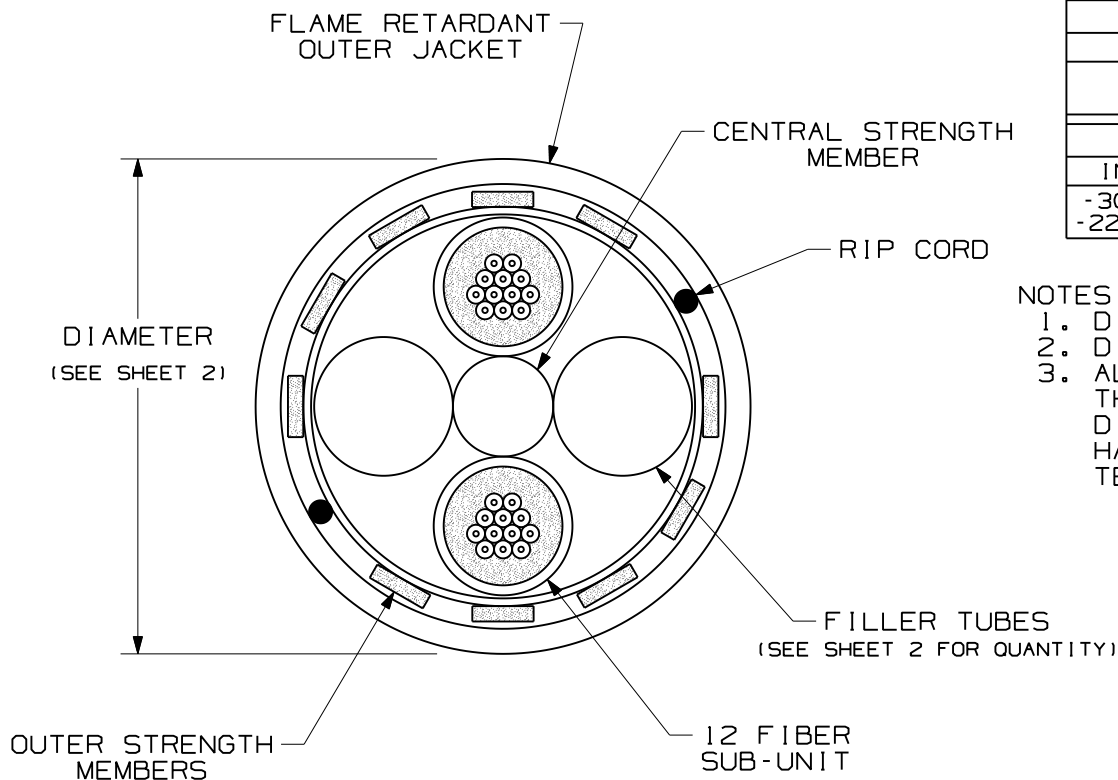



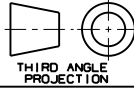
THIS COPY IS PROVIDED ON A RESTRICTED BASIS AND IS NOT TO BE USED IN ANY WAY DETRIMENTAL TO THE INTERESTS OF PANDUIT CORP.

TECHNICAL SPECIFICATIONS		
MAXIMUM LOSS		SINGLEMODE MAXIMUM LOSS
3.5 dB/KM @ 850nm 1.5 dB/KM @ 1300nm		.75 dB/KM @ 1310nm .75 dB/KM @ 1500nm
TENSILE LOAD - RISER RATED		
INSTALLATION		LONG TERM
2670 N (600 lbf)		890 N (200 lbf)
TEMPERATURE		
INSTALLATION	OPERATION	STORAGE
-30° C TO +60° C -22° F TO +140° F	-40° C TO +70° C -40° F TO +158° F	-40° C TO +75° C -40° F TO +167° F



NOTES:

1. DIAMETER DIMENSION, SHOWN FOR REFERENCE ONLY.
2. DIMENSIONS IN BRACKETS () ARE ENGLISH.
3. ALL MATERIALS AND COMPONENTS USED MUST MEET THE MATERIAL RESTRICTIONS OF RoHS (EUROPEAN DIRECTIVE 2002/95/EC ON THE RESTRICTION OF HAZARDOUS SUBSTANCES) AS PROPOSED BY THE RoHS TECHNICAL ADAPTATION COMMITTEE.

REV	DATE	BY	CHK	DESCRIPTION	ECN	R	CUST	SUP	OTH	OPTI-CORE 24 FIBER INDOOR-OUTDOOR CABLE WITH (2) 12 FIBER SUB-UNITS CUSTOMER DRAWING		
01	02-21-07	EFK		RELEASED TO PRODUCTION	02055-181					 PANDUIT ™ CORP. TINLEY PARK, ILL 60477		
 THIRD ANGLE PROJECTION ALL DIMENSIONS ARE GIVEN IN INCHES, UNLESS OTHERWISE SPECIFIED. DIMENSIONAL TOLERANCES ARE: (.X) (.XXX) ±0.3 (.010) (.XX) ±0.8 (.03) ANGLES										DRAWING FILENAME M02055BZ_DC_24/00B		
										SCALE NONE		
										PART NO. FSN**24Y FON**24Y		
										DRAWING NO. 02055-181		SIZE A
										SHEET 1 OF 2		
										DRAWN BY: EFK DATE: 02-21-07 CHECK'D: WMA REVIEW DRAWING NUMBERS:		

THIS COPY IS PROVIDED ON A RESTRICTED BASIS AND IS NOT TO BE USED IN ANY WAY DETRIMENTAL TO THE INTERESTS OF PANDUIT CORP.

PANDUIT PART NUMBER	FIBER TYPE	JACKET RATING	DIAMETER	BEND RADIUS		FILLER TUBE QUANTITY
				INSTALLED	LONG TERM	
FSNR924Y	SINGLEMODE 9/125μM	OFNR	10.1mm (0.398")	15.1cm (5.9")	10.1cm (4.0")	2
FSNL924Y		OFNR-LS				
FSNP924Y		OFNP				
FSNR524Y	MULTIMODE 50/125μM	OFNR	10.1mm (0.398")	15.1cm (5.9")	10.1cm (4.0")	
FSNL524Y		OFNR-LS				
FSNP524Y		OFNP				
FSNR624Y	MULTIMODE 62.5/125μM	OFNR	10.1mm (0.398")	15.1cm (5.9")	10.1cm (4.0")	
FSNL624Y		OFNR-LS				
FSNP246Y		OFNP				
FONRX24Y	MULTIMODE 50/125μM OM3	OFNR	10.1mm (0.398")	15.1cm (5.9")	10.1cm (4.0")	
FONLX24Y		OFNR-LS				
FONPX24Y		OFNP				
FONRZ24Y	MULTIMODE 50/125μM OM4	OFNR	10.1mm (0.398")	15.1cm (5.9")	10.1cm (4.0")	
FONPZ24Y		OFNP				9.4mm (0.370")

REV	DATE	BY	CHK	DESCRIPTION	ECN	R	CUST	SUP	OTH
01	02-21-07	EFK		RELEASED TO PRODUCTION	02055-181				
02									

OPTI-CORE 24 FIBER INDOOR-OUTDOOR CABLE
WITH (2) 12 FIBER SUB-UNITS
CUSTOMER DRAWING

PANDUITTM
CORP.
TINLEY PARK, ILL 60477

THIRD ANGLE
PROJECTION

ALL DIMENSIONS ARE GIVEN IN INCHES,
UNLESS OTHERWISE SPECIFIED.
DIMENSIONAL TOLERANCES ARE:
(.X) (.XXX) ±0.3 (.010)
(.XX) ±0.8 (.03) ANGLES

DRAWN BY: EFK	DRAWING FILENAME: M02055BZ_DC_24/00B
DATE: 02-21-07	SCALE: NONE
CHK'D: WMA	PART NO.: FSN**24Y FON**24Y
	DRAWING NO.: 02055-181 SIZE: A
	SHEET 2 OF 2

X-ON Electronics

Largest Supplier of Electrical and Electronic Components

Click to view similar products for [Fibre Optic Cables](#) category:

Click to view products by [Panduit](#) manufacturer:

Other Similar products are found below :

[FPD01SBS200](#) [FPD06SCC200](#) [FPT01SBS200](#) [FPDK01SCC100](#) [FCS-HCP-DUPLEX-50M](#) [FOSP45-C](#) [FURA3-20](#) [FURA4-20/A](#) [FURD3-20/A](#) [FURD4-20/A](#) [FURO6-20/A](#) [FUTA3-20](#) [FUTA3-20/A](#) [FUTA4-20](#) [FUTA4-20/A](#) [FUTD3-20/A](#) [FUTD4-20/A](#) [FUTO3-20/A](#) [FUTS3-20](#) [FUTS3-20/A](#) [FUTS4-20](#) [FUTS4-20/A](#) [943-99595-10030](#) [FUT-FARR25-20](#) [106800-0062](#) [106803-1006](#) [HFBR-RUD100](#) [2799445](#) [28320002](#) [28030002](#) [28000002](#) [28020002](#) [28051002](#) [28052002](#) [28351002](#) [28320001](#) [28000001](#) [28020001](#) [AERO-AS04-012-A-0X12026BKTT](#) [AERO-DF03-002-D-0XC18TT](#) [HFBR-EUS100Z](#) [HFBR-RUS100Z](#) [ER-500-1-VC-DCY-02-D0-0LWD](#) [EXO-G0-04-A-0LC32BKTT](#) [EXO-G0-08-A-0LC32GYTT](#) [EXO-G0-12-A-0XC32BKTT](#) [EXO-G0-24-A-0XC32BKTT](#) [MK-AX2-04-SM2](#) [106800-0105](#) [106800-0059](#)