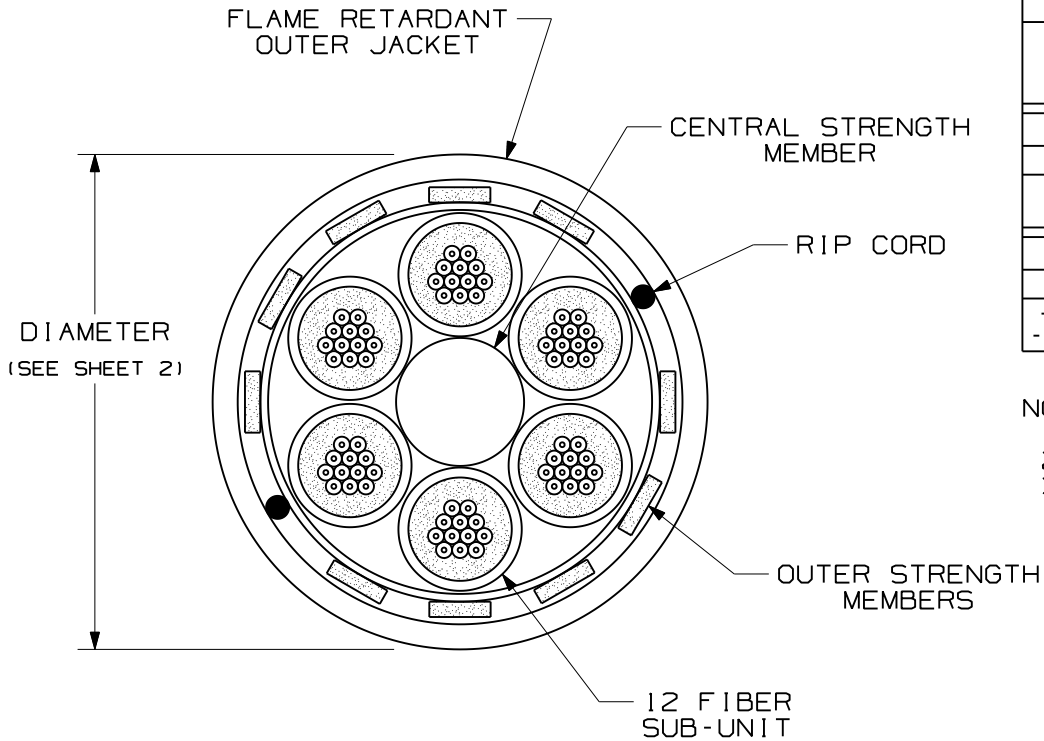


THIS COPY IS PROVIDED ON A RESTRICTED BASIS AND IS NOT TO BE USED IN ANY WAY DETRIMENTAL TO THE INTERESTS OF PANDUIT CORP.




TECHNICAL SPECIFICATIONS		
MAXIMUM LOSS		SINGLEMODE MAXIMUM LOSS
3.5 dB/KM @ 850nm 1.5 dB/KM @ 1300nm		.75 dB/KM @ 1310nm .75 dB/KM @ 1500nm
TENSILE LOAD - RISER RATED		
INSTALLATION		LONG TERM
2670 N (600 lbf)		890 N (200 lbf)
TEMPERATURE		
INSTALLATION	OPERATION	STORAGE
-30° C TO +60° C -22° F TO +140° F	-40° C TO +70° C -40° F TO +158° F	-40° C TO +75° C -40° F TO +167° F

NOTES:

1. DIAMETER DIMENSION, SHOWN FOR REFERENCE ONLY.
2. DIMENSIONS IN BRACKETS () ARE ENGLISH.
3. ALL MATERIALS AND COMPONENTS USED MUST MEET THE MATERIAL RESTRICTIONS OF RoHS (EUROPEAN DIRECTIVE 2002/95/EC ON THE RESTRICTION OF HAZARDOUS SUBSTANCES) AS PROPOSED BY THE RoHS TECHNICAL ADAPTATION COMMITTEE.

REV	DATE	BY	CHK	DESCRIPTION	ECN	R	CUST	SUP	OTH
01	10-28-09	EFK		RELEASED TO PRODUCTION	02055-179				

OPTI-CORE 72 FIBER INDOOR-OUTDOOR CABLE
WITH (6) 12 FIBER SUB-UNITS
CUSTOMER DRAWING



PANDUIT™
CORP.
TINLEY PARK, ILL 60477

ALL DIMENSIONS ARE GIVEN IN INCHES,
UNLESS OTHERWISE SPECIFIED,
DIMENSIONAL TOLERANCES ARE:
(.X) (.XXX)±0.3 (.010)
(.XX)±0.8 (.03) ANGLES


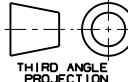
THIRD ANGLE PROJECTION

DRAWING FILENAME: M02055BZ_DC_72/00B
SCALE: NONE
PART NO.: FSN**72Y
FON**72Y
DRAWING NO.: 02055-179
SIZE: A
SHEET 1 OF 2

DRAWN BY: EFK
DATE: 02-21-07
CHECK'D: WMA
REVIEW DRAWING NUMBERS:

THIS COPY IS PROVIDED ON A RESTRICTED BASIS AND IS NOT TO BE USED IN ANY WAY DETRIMENTAL TO THE INTERESTS OF PANDUIT CORP.

PANDUIT PART NUMBER	FIBER TYPE	JACKET RATING	DIAMETER	BEND RADIUS		FILLER TUBE QUANTITY
				INSTALLED	LONG TERM	
FSNR972Y	SINGLEMODE 9/125µM	OFNR	11.9mm (0.470")	17.8cm (7.0")	11.9cm (4.7")	0
FSNL972Y		OFNR-LS				
FSNP972Y		OFNP				
FSNR572Y	MULTIMODE 50/125µM	OFNR	11.9mm (0.470")	17.8cm (7.0")	11.9cm (4.7")	
FSNL572Y		OFNR-LS				
FSNP572Y		OFNP				
FSNR672Y	MULTIMODE 62.5/125µM	OFNR	11.9mm (0.470")	17.8cm (7.0")	11.9cm (4.7")	
FSNL672Y		OFNR-LS				
FSNP672Y		OFNP				
FONRX72Y	MULTIMODE 50/125µM OM3	OFNR	11.9mm (0.470")	17.8cm (7.0")	11.9cm (4.7")	
FONLX72Y		OFNR-LS				
FONPX72Y		OFNP				
FONRZ72Y	MULTIMODE 50/125µM OM4	OFNR	11.9mm (0.470")	17.8cm (7.0")	11.9cm (4.7")	
FONPZ72Y		OFNP				

										OPTI-CORE 72 FIBER INDOOR-OUTDOOR CABLE WITH (6) 12 FIBER SUB-UNITS CUSTOMER DRAWING	
										 PANDUIT ™ CORP. TINLEY PARK, ILL 60477	
										 THIRD ANGLE PROJECTION	
										ALL DIMENSIONS ARE GIVEN IN INCHES, UNLESS OTHERWISE SPECIFIED, DIMENSIONAL TOLERANCES ARE: (.X) (.XXX)±0.3 (.010) (.XX)±0.8 (.03) ANGLES	
										DRAWING FILENAME M02055BZ_DC_72/00B	
										SCALE NONE	
										PART NO. FSN**72Y FON**72Y	
										DRAWING NO. 02055-179 SHEET 2 OF 2	
										SIZE A	
01	10-28-09	EFK		RELEASED TO PRODUCTION	02055-179						DATE 02-21-07
REV	DATE	BY	CHK	DESCRIPTION	ECN	R	CUST	SUP	OTH	CHK'D	WMA

X-ON Electronics

Largest Supplier of Electrical and Electronic Components

Click to view similar products for [Fiber Optic Cables](#) category:

Click to view products by [Panduit](#) manufacturer:

Other Similar products are found below :

[FPD01SBS200](#) [FPD06SCC200](#) [FPT01SBS200](#) [FQZ-12-10](#) [FXL12D5-5F40](#) [FXO12D5-5F10Y](#) [FXO12D5-5F19Y](#) [B96566](#) [FPDK01SCC100](#)
[HFBR-RSD005Z](#) [FX2ELQ1Q1SNM4.5](#) [FX2ELQ1Q1SNM5.5](#) [FX2ELQ1Q1SNM6.5](#) [FX2ELQ1Q1SNM7.5](#) [FX2ELQ1Q1SNM8.5](#)
[FX2ELQ1Q1SNM9.5](#) [FX8RL7NQSVM1.5](#) [FX8RL8NQSVM1.5](#) [FX8RL7NQSVM2.5](#) [FX8RL8NQSVM2.5](#) [FX8RL7NQSVM3.5](#)
[FX8RL8NQSVM3.5](#) [FX8RL7NQSVM4.5](#) [FX8RL8NQSVM4.5](#) [F98RL5NQSQNM1.5](#) [F98RL6NQSQNM1.5](#) [F98RL5NQSQNM2.5](#)
[F98RL6NQSQNM2.5](#) [F98RL5NQSQNM3.5](#) [F98RL6NQSQNM3.5](#) [F98RL5NQSQNM4.5](#) [F98RL6NQSQNM4.5](#) [FZ8RL7NQSVM1.5](#)
[FZ8RL8NQSVM1.5](#) [FZ8RL7NQSVM2.5](#) [FZ8RL8NQSVM2.5](#) [FZ8RL7NQSVM3.5](#) [FZ8RL8NQSVM3.5](#) [FZ8RL7NQSVM4.5](#)
[FZ8RL8NQSVM4.5](#) [F9TRL5NQSSNM1.5](#) [F9TRL5NQSSNM2.5](#) [F9TRL5NQSSNM3.5](#) [F9TRL5NQSSNM4.5](#) [F9TRL6NQSSNM1.5](#)
[F9TRL6NQSSNM2.5](#) [F9TRL6NQSSNM3.5](#) [F9TRL6NQSSNM4.5](#) [FXTRL8NQSONM1.5](#) [FZTRL8NQSONM1.5](#)