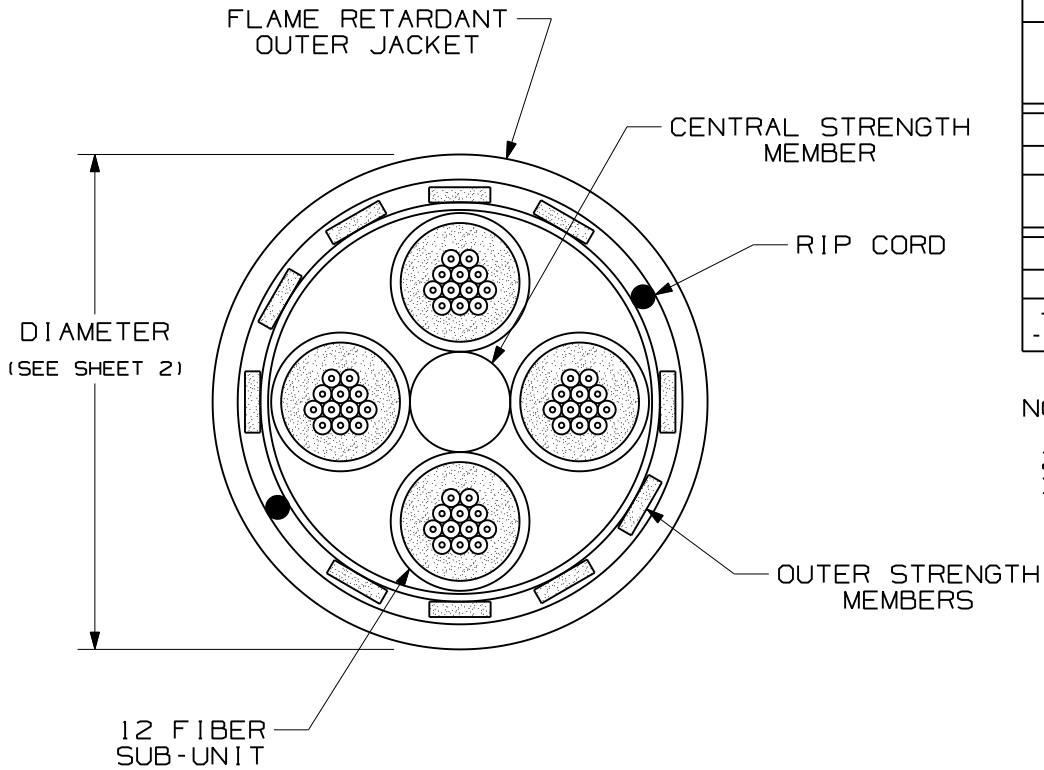


THIS COPY IS PROVIDED ON A RESTRICTED BASIS AND IS NOT TO BE USED IN ANY WAY DETRIMENTAL TO THE INTERESTS OF PANDUIT CORP.




TECHNICAL SPECIFICATIONS		
MAXIMUM LOSS		SINGLEMODE MAXIMUM LOSS
3.5 dB/KM @ 850nm 1.5 dB/KM @ 1300nm		.75 dB/KM @ 1310nm .75 dB/KM @ 1500nm
TENSILE LOAD - RISER RATED		
INSTALLATION		LONG TERM
2670 N (600 lbf)		890 N (200 lbf)
TEMPERATURE		
INSTALLATION	OPERATION	STORAGE
-30° C TO +60° C -22° F TO +140° F	-40° C TO +70° C -40° F TO +158° F	-40° C TO +75° C -40° F TO +167° F

NOTES:

1. DIAMETER DIMENSION, SHOWN FOR REFERENCE ONLY.
2. DIMENSIONS IN BRACKETS ( ) ARE ENGLISH.
3. ALL MATERIALS AND COMPONENTS USED MUST MEET THE MATERIAL RESTRICTIONS OF RoHS (EUROPEAN DIRECTIVE 2002/95/EC ON THE RESTRICTION OF HAZARDOUS SUBSTANCES) AS PROPOSED BY THE RoHS TECHNICAL ADAPTATION COMMITTEE.

REV	DATE	BY	CHK	DESCRIPTION	ECN	R	CUST	SUP	OTH
01	10-28-09	EFK		RELEASED TO PRODUCTION	02055-178				

OPTI-CORE 48 FIBER INDOOR-OUTDOOR CABLE WITH (4) 12 FIBER SUB-UNITS  
CUSTOMER DRAWING



**PANDUIT**™  
CORP.  
TINLEY PARK, ILL 60477

ALL DIMENSIONS ARE GIVEN IN INCHES, UNLESS OTHERWISE SPECIFIED.  
DIMENSIONAL TOLERANCES ARE:  
(.X) (.XXX) ± 0.3 (.010)  
(.XX) ± 0.8 (.03) ANGLES

THIRD ANGLE PROJECTION

DRAWING FILENAME: M02055BZ\_DC\_48/00B  
SCALE: NONE  
PART NO.: FSN\*\*48Y  
FON\*\*48Y  
DRAWING NO.: 02055-178  
SHEET 1 OF 2  
SIZE: A


DRAWN BY: EFK  
DATE: 02-21-07  
CHECKED: WMA  
REVIEW DRAWING NUMBERS:

THIS COPY IS PROVIDED ON A RESTRICTED BASIS AND IS NOT TO BE USED IN ANY WAY DETRIMENTAL TO THE INTERESTS OF PANDUIT CORP.

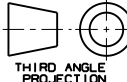
PANDUIT PART NUMBER	FIBER TYPE	JACKET RATING	DIAMETER	BEND RADIUS		FILLER TUBE QUANTITY
				INSTALLED	LONG TERM	
FSNR948Y	SINGLEMODE 9/125μM	OFNR	10.1mm (0.398")	15.1cm (5.9")	10.1cm (4.0")	0
FSNL948Y		OFNR-LS				
FSNP948Y		OFNP	9.4mm (0.370")	14.1cm (5.6")	9.4cm (3.7")	
FSNR548Y	MULTIMODE 50/125μM	OFNR	10.1mm (0.398")	15.1cm (5.9")	10.1cm (4.0")	
FSNL548Y		OFNR-LS				
FSNP548Y		OFNP	9.4mm (0.370")	14.1cm (5.6")	9.4cm (3.7")	
FSNR648Y	MULTIMODE 62.5/125μM	OFNR	10.1mm (0.398")	15.1cm (5.9")	10.1cm (4.0")	
FSNL648Y		OFNR-LS				
FSNP648Y		OFNP	9.4mm (0.370")	14.1cm (5.6")	9.4cm (3.7")	
FONRX48Y	MULTIMODE 50/125μM OM3	OFNR	10.1mm (0.398")	15.1cm (5.9")	10.1cm (4.0")	
FONLX48Y		OFNR-LS				
FONPX48Y		OFNP	9.4mm (0.370")	14.1cm (5.6")	9.4cm (3.7")	
FONRZ48Y	MULTIMODE 50/125μM OM4	OFNR	10.1mm (0.398")	15.1cm (5.9")	10.1cm (4.0")	
FONPZ48Y		OFNP	9.4mm (0.370")	14.1cm (5.6")	9.4cm (3.7")	

REV	DATE	BY	CHK	DESCRIPTION	ECN	R	CUST	SUP	OTH
01	10-28-09	EFK		RELEASED TO PRODUCTION	02055-178				

OPTI-CORE 48 FIBER INDOOR-OUTDOOR CABLE  
WITH (4) 12 FIBER SUB-UNITS  
CUSTOMER DRAWING



**PANDUIT**™  
CORP.  
TINLEY PARK, ILL 60477



THIRD ANGLE  
PROJECTION

ALL DIMENSIONS ARE GIVEN IN INCHES,  
UNLESS OTHERWISE SPECIFIED,  
DIMENSIONAL TOLERANCES ARE:  
(.X) (XXX)±0.3 (.010)  
(.XX)±0.8 (.03) ANGLES

DRAWING FILENAME  
M02055BZ\_DC\_48/00B  
SCALE  
NONE

DRAWN BY  
EFK  
DATE  
02-21-07  
CHK'D  
WMA

REVIEW DRAWING NUMBERS

PART NO.  
FSN\*\*48Y  
FON\*\*48Y  
DRAWING NO.  
02055-178  
SHEET 2 OF 2

SIZE  
A

## X-ON Electronics

Largest Supplier of Electrical and Electronic Components

*Click to view similar products for [Fibre Optic Cables](#) category:*

*Click to view products by [Panduit](#) manufacturer:*

Other Similar products are found below :

[FPD01SBS200](#) [FPD06SCC200](#) [FPT01SBS200](#) [FPDK01SCC100](#) [FCS-HCP-DUPLEX-50M](#) [FOSP45-C](#) [FURA3-20](#) [FURA4-20/A](#) [FURD3-20/A](#) [FURD4-20/A](#) [FURO6-20/A](#) [FUTA3-20](#) [FUTA3-20/A](#) [FUTA4-20](#) [FUTA4-20/A](#) [FUTD3-20/A](#) [FUTD4-20/A](#) [FUTO3-20/A](#) [FUTS3-20](#) [FUTS3-20/A](#) [FUTS4-20](#) [FUTS4-20/A](#) [943-99595-10030](#) [FUT-FARR25-20](#) [106800-0062](#) [106803-1006](#) [HFBR-RUD100](#) [2799445](#) [28320002](#) [28030002](#) [28000002](#) [28020002](#) [28051002](#) [28052002](#) [28351002](#) [28320001](#) [28000001](#) [28020001](#) [AERO-AS04-012-A-0X12026BKTT](#) [AERO-DF03-002-D-0XC18TT](#) [HFBR-EUS100Z](#) [HFBR-RUS100Z](#) [ER-500-1-VC-DCY-02-D0-0LWD](#) [EXO-G0-04-A-0LC32BKTT](#) [EXO-G0-08-A-0LC32GYTT](#) [EXO-G0-12-A-0XC32BKTT](#) [EXO-G0-24-A-0XC32BKTT](#) [MK-AX2-04-SM2](#) [106800-0105](#) [106800-0059](#)