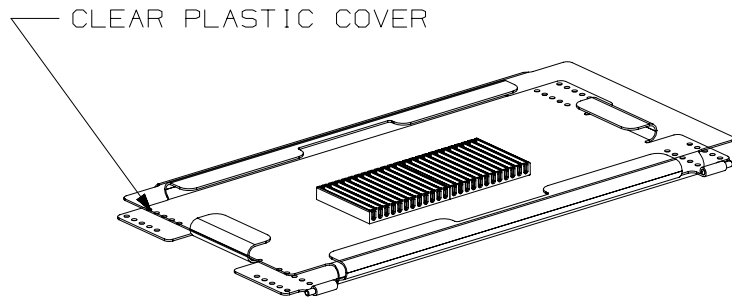
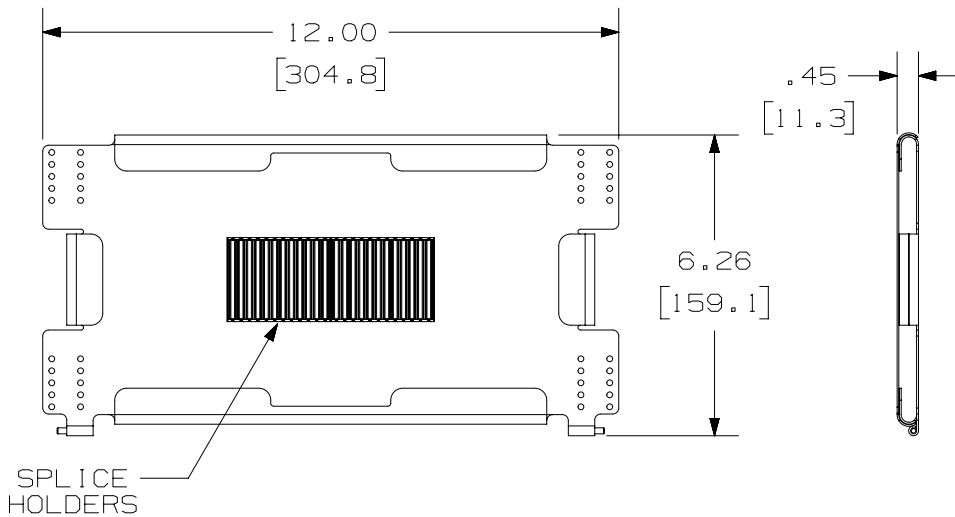


THIS COPY IS PROVIDED ON A RESTRICTED BASIS AND IS NOT TO BE USED IN ANY WAY DETRIMENTAL TO THE INTERESTS OF PANDUIT CORP.

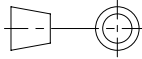



NOTES:

1. VISIT OUR ON-LINE CATALOG AT [WWW.PANDUIT.COM](http://WWW.PANDUIT.COM) FOR A LIST OF CURRENT PARTS APPLICABLE FOR USE WITH THIS PRODUCT.
2. DIMENSIONS IN [ ] ARE METRIC.
3. TRAY WILL HOLD UP TO 12 RIBBON FUSION SPLICES (144 FIBERS).
4. INCLUDED WITH SPLICE TRAY;
  - 1 CLEAR PLASTIC COVER.
  - 2 FUSION SPLICE HOLDERS.
  - 2 GROMMET SLEEVES.
  - 10 CABLE TIES.
  - 6" HEAT SHRINK TUBING.
5. ALL MATERIALS AND COMPONENTS USED MEET THE MATERIAL RESTRICTIONS OF RoHS (EUROPEAN DIRECTIVE 2011/65/EU ON THE RESTRICTION OF HAZARDOUS SUBSTANCES) AS PROPOSED BY THE RoHS TECHNICAL ADAPTATION COMMITTEE.



PANDUIT P/N	WEIGHT
FST144R	0.48 LBS (220g)

PART NUMBER		FST144R		
TITLE		SPLICE TRAY UNIT 12 RIBBON FUSION SPLICES (144 FIBERS) CUSTOMER DRAWING		
ITEM REVISION NAME		17F088ET/00		
DATASET FILE NAME		17F088ET_DC/00A		
 THIRD ANGLE PROJECTION				
MATERIAL		DRAWING NUMBER 17F088ET-DC		
DRAWN BY	DATE	CHK	SCALE	SIZE
SAT	09-27-18	BONS	NONE	A
SHEET 1 OF 1				

00A	09-27-18	SAT	BONS	AW	INITIAL RELEASE	17F088ET-DC
REV	DATE	BY	CHK	APR	DESCRIPTION	ECN

## X-ON Electronics

Largest Supplier of Electrical and Electronic Components

*Click to view similar products for [Wire Ducting & Raceways](#) category:*

*Click to view products by [Panduit](#) manufacturer:*

Other Similar products are found below :

[FG5EI25-A](#) [PED12](#) [PED8](#) [PEVEP](#) [FXOE3-10M3](#) [FZD3-3M2](#) [FZLE10-10M2](#) [FZOE10-10M1](#) [FZOLE10-10M2](#) [FZPE3-10M2](#) [923223-000](#)  
[PRAF6WH-X](#) [A0405538](#) [1301150342](#) [1301230083](#) [1301150343](#) [1301230086](#) [1301240054](#) [AX101472](#) [AX102652](#) [AX102653](#) [AX102737](#)  
[S62DS](#) [S65DS](#) [S75DSH](#) [A0405536](#) [A0405537](#) [A0649869](#) [FXOD3-3M1](#) [FXOE10-10M2](#) [FZLD3-3M2](#) [FZOE3-10M1](#) [FZOE3-10M2](#)  
[FZOLE3-10M2](#) [FZOPE10-10M1](#) [FZPD3-3M2](#) [PZRFE4](#) [PZWIFIEN](#) [PZWIFIENA](#) [CNPSNH](#) [CNSPC](#) [5400ES](#) [WDLT-1216-72](#) [655287-000](#)  
[S75DS](#) [1301180028](#) [801A-LSP](#) [TGECAW](#) [206461-000](#) [853425-000](#)