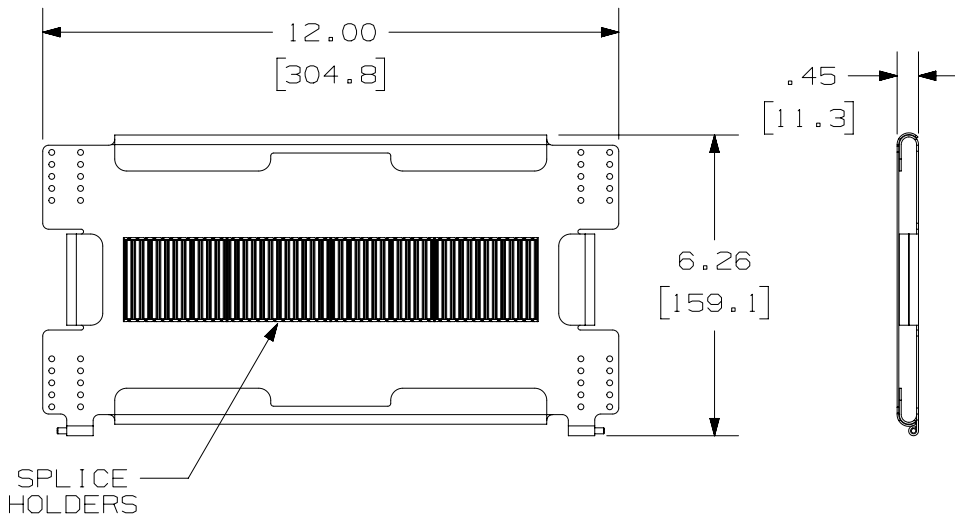
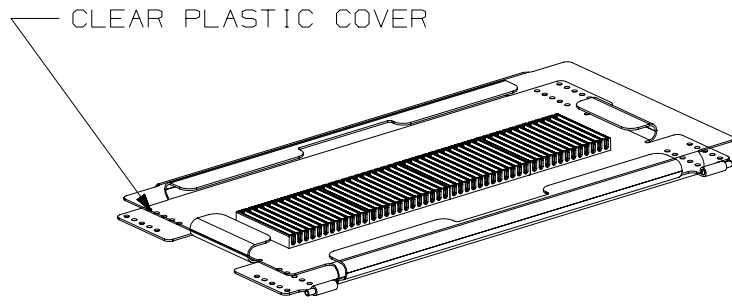


THIS COPY IS PROVIDED ON A RESTRICTED BASIS AND IS NOT TO BE USED IN ANY WAY DETRIMENTAL TO THE INTERESTS OF PANDUIT CORP.



COVER REMOVED FOR CLARITY

NOTES:

1. VISIT OUR ON-LINE CATALOG AT WWW.PANDUIT.COM FOR A LIST OF CURRENT PARTS APPLICABLE FOR USE WITH THIS PRODUCT.
2. DIMENSIONS IN [] ARE METRIC.
3. TRAY WILL HOLD UP TO 48 FUSION SPLICES.
4. INCLUDED WITH SPLICE TRAY;
 - 1 CLEAR PLASTIC COVER.
 - 4 FUSION SPLICE HOLDERS.
 - 2 GROMMET SLEEVES.
 - 10 CABLE TIES.
 - 6" HEAT SHRINK TUBING.
5. ALL MATERIALS AND COMPONENTS USED MEET THE MATERIAL RESTRICTIONS OF RoHS (EUROPEAN DIRECTIVE 2011/65/EU ON THE RESTRICTION OF HAZARDOUS SUBSTANCES) AS PROPOSED BY THE RoHS TECHNICAL ADAPTATION COMMITTEE.

PANDUIT P/N	WEIGHT
FST48	0.52 LBS (240g)

PART NUMBER		FST48		
TITLE		SPLICE TRAY UNIT 48 FUSION SPLICES CUSTOMER DRAWING		
ITEM REVISION NAME		17F088AX/01		
DATASET FILE NAME		17F088AX_DC/01A		
THIRD ANGLE PROJECTION		PANDUIT		
MATERIAL		DRAWING NUMBER		
		17F088AX-DC		
DRAWN BY	DATE	CHK	SCALE	SIZE
SAT	09-27-18	BONS	NONE	A

A-SIZE CUSTOMER

00A	09-28-18	SAT	BONS	AW	INITIAL RELEASE	17F088AX-DC
REV	DATE	BY	CHK	APR	DESCRIPTION	ECN

X-ON Electronics

Largest Supplier of Electrical and Electronic Components

Click to view similar products for [Enclosures, Boxes & Cases](#) category:

Click to view products by [Panduit](#) manufacturer:

Other Similar products are found below :

[585-R-WH-PK](#) [M-10-PLATED](#) [60221-01](#) [60566-01-000](#) [HPL-9VB BATT DOOR](#) [M18-PLTD](#) [M-21-PLATED](#) [63310-01-000](#) [6711GSKT](#)
[71884-29-028](#) [LH45-100 Black](#) [72868-510-000](#) [CNS-0000 Black](#) [72883-510-000](#) [CNS-0101 Black](#) [72906-510-000](#) [CNS-0407 Black](#) [73092-](#)
[510-000](#) [CNM-0101 Black](#) [73105-510-000](#) [CNL-0101 Black](#) [73108-510-000](#) [CNL-0303 Black](#) [73395-510-039](#) [CNS-0006 Bone](#) [74257-510-000](#)
[CNL-0004](#) [MDC-1183-PLAIN-ALUM](#) [MDC-1183-PTD](#) [MDC-13104-PTD](#) [MDC-321-PTD](#) [MDC-973-PTD](#) [76](#) [77153-01-028](#) [FLX6030](#)
[83535-01-508](#) [90026-501-000](#) [PS36-200](#) [116-508](#) [120-407](#) [120-910](#) [127-908](#) [130-008](#) [1301170079](#) [1322GSKTEP](#) [1325GSKT3](#) [138-PLAIN](#)
[1434-1210](#) [EAS-500 \(BLACK ANO\)](#) [1804RP-RB-PK](#) [190-005](#) [2202307](#) [KAB3321 BLACK](#) [KAB3421](#) [2697466](#) [S52213](#) [2901123](#) [2901699](#)
[A0645271](#) [A20P20](#) [2106-IR](#)