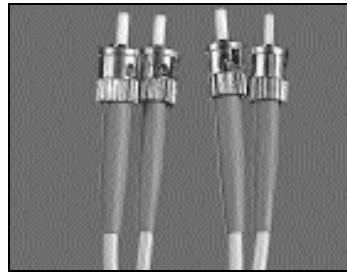


specifications

ST Fiber Optic Connectors shall be compliant with TIA FOCIS-2. ST connectors shall be field installable in one module space. The fibers shall terminate in 2.5mm ferrules and have typical insertion loss of less than 0.3dB per connector.



ST Fiber Optic Connector

technical information

Fiber compatibility: 62.5/125µm and 50/125µm multimode, 9/125µm singlemode

Fiber cable types: 3.0mm jacketed or 900µm buffered

Ferrule type: Zirconia ceramic, pre-radiused

Insertion loss: Less than 0.3dB typical

Return loss: Greater than 20dB multimode, 40dB singlemode

key features and ...benefits

Proven 2.5mm ceramic ferrules Uses standard termination procedures and provides strength and reliability

Robust design Protects fibers from mechanical and environmental stress

TIA standardization FOCIS-2 (ST) interface approved at the TIA, required by EIA/TIA-568-B.3

Anaerobic adhesive Decreases termination time and reduces installed cost

applications

PANDUIT ST Fiber Optic Connectors utilize an industry standard design for equipment cross-connects or interconnects. These connectors are field installable with the same easy to use anaerobic adhesive and polishing procedures as the OPTI-JACK® Fiber Optic Connector. ST Fiber Optic Connectors are widely used in fiber optic backbone and horizontal applications for high speed data transmissions. Multimode connectors provide

a low cost, easy to terminate solution for fiber-to-the-desk and horizontal applications. Singlemode connectors offer ultimate data transmission capabilities for high speed backbone applications. PANDUIT ST adapter modules are completely modular to allow use with other connectors for multimedia solutions. Modules are MINI-COM® compatible for use in all patch panels, faceplates and surface mount boxes.

"ST" is a trademark of Lucent Technologies

installer tip

Anaerobic adhesive speeds termination time resulting in reduced installed cost.

Visit our website at: www.panduit.com/ncg

SPEC SHEET

Multimode 900µm Tight-Buffered or 3mm Jacketed Fiber

Black boot: FSTMBL
Red boot: FSTMRD

Singlemode 900µm Tight-Buffered or 3mm Jacketed Fiber

Blue boot: FSTSBU

Adapter Modules

ST adapter module: CMST**

Multimode Patch Cords

OPTI-JACK duplex plug to ST: F6D6P-2M‡
Simplex ST to ST: F6S2-2M‡
Duplex ST to ST: F6D2-2M‡
Duplex ST to SC: F6D2-3M‡
OPTI-JACK duplex jack to ST: F6D6J-2M2 (Only available in 2m)
Duplex ST to FC: F6D2-4M‡

Singlemode Patch Cords

OPTI-JACK duplex plug to ST: F9D6P-2M‡
Simplex 900µm buffered ST pigtails: F9B2-NM‡
Simplex ST to ST: F9S2-2M‡
OPTI-JACK duplex jack to ST: F9D6J-2M2 (Only available in 2m)
Duplex ST to ST: F9D2-2M‡
Duplex ST to SC: F9D2-3M‡
Duplex ST to FC: F9D2-4M‡

Termination Tooling

Termination kit: FJKITG
Singlemode connectors also require:
Polishing film: FPF1-V (5-sheet pack)
Polishing cloth: FPCL-Q (25-sheet pack)
Polishing slurry: FPSSL

**Substitute: EI=Electric Ivory
WH=White
BL=Black
IW=Off White
IG=International Gray

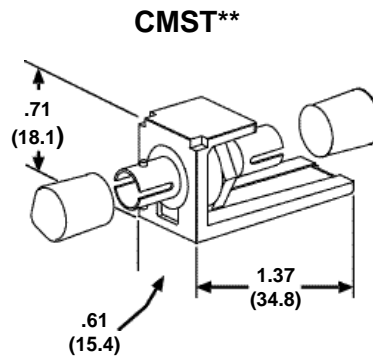
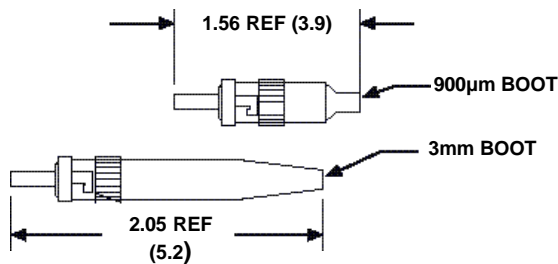
Please contact factory for additional patch cord configurations

‡Available in 1,2,3 and 10 meters

ST Fiber Optic Connector

ST Fiber Optic Connector Performance

TIA 455	ISO/IEC 874-1	Description	Test Procedure and Required Performance
3	4.5.22	Thermal Cycling	-40°C to 75°C for 5 cycles; <0.3dB additional loss
6	4.5.4	Cable Retention	Apply 7.5lb. Load (0.5lb for buffered fiber) for 5 seconds 0° angle; <0.3dB additional loss
13	4.4.1,2	Visual, Mechanical	Inspection and mechanical dimensions according to FOCIS-2 (ST)
21	4.5.32	Durability	Mate/unmate connectors for 500 cycles, <0.3dB additional loss
34	4.4.7	Insertion Loss	<0.3dB typical
107	—	Return Loss	20dB minimum return loss (multimode) and 40dB minimum return loss (singlemode)



Dimensions are in inches (Dimensions in parentheses are metric)

Our products are warranted to be free from defects in material and workmanship at the time of sale but our obligation under this warranty is limited to the replacement of any product proved to be defective within 6 months (for product) or 90 days (for tools) from the date of delivery. Tool warranty is void if Panduit tools are modified, altered or misused in any way. Use of Panduit tooling with any product other than the specified Panduit products for which the tool was designed, constitutes misuse. Before using, user shall determine the suitability of the product for his intended use and user assumes all risk and liability whatsoever in connection therewith.

This warranty is made in lieu of and excludes all other warranties, expressed or implied. THE IMPLIED WARRANTIES OF MERCHANTABILITY AND FITNESS FOR A PARTICULAR USE ARE SPECIFICALLY EXCLUDED. Neither seller nor manufacturer shall be liable for any other injury, loss or damage whether direct or consequential, arising out of the use of, or the inability to use, the product. The information contained in this literature is based on our experience to date and is believed to be reliable. It is intended as a guide for use by persons having technical skill at their own discretion and risk. We do not guarantee favorable results or assume any liability in connection with its use. Dimensions contained herein are for reference purposes only. For specific dimensional requirements consult the factory. This publication is not to be taken as a license to operate under, or a recommendation to infringe any existing patents. This supersedes and voids all previous literature, etc.



WORLD HEADQUARTERS
PANDUIT CORP.
Tinley Park, Illinois, USA
Phone: 888-506-5400, ext. 6914
708-532-1800, ext. 6914
Fax: 708-460-2897
Email: info@panduit.com
Internet: www.panduit.com/ncg

For Pricing and Further Information —
Contact your local authorized
PANDUIT PAN-NET™ Distributor or Sales Office

PANDUIT CANADA
Div. of PANDUIT CORP.
Markham, Ontario
Phone: 905-475-6922

EUROPEAN HEADQUARTERS
PANDUIT EUROPE LTD.
London, UK
Phone: 44(0) 208-601-7200

ASIAN HEADQUARTERS
PANDUIT SINGAPORE PTE. LTD.
Republic of Singapore
Phone: (65) 379 6700

PANDUIT CORP.
Japan Branch
Phone (81) (3) 3767-7011

PANDUIT MEXICO/LATIN AMERICA
& CARIBBEAN
Phone: (52) 3 666-2501

PANDUIT (AUST.) PTY. LTD.
Phone: (61) 3-9794 9020

WORLDWIDE SUBSIDIARIES AND SALES OFFICES

©Panduit Corp. 2000
ALL RIGHTS RESERVED

SA117N245A-OP
Printed in U.S.A.

X-ON Electronics

Largest Supplier of Electrical and Electronic Components

Click to view similar products for [Wire Ducting](#) category:

Click to view products by [Panduit](#) manufacturer:

Other Similar products are found below :

[66200A-10](#) [CVED32VEPG](#) [CVED40VEPG](#) [F512D5-5F140Y](#) [F512D5-5F200Y](#) [F512D5-5F26Y](#) [F512D5-5F30Y](#) [F512D5-5F33Y](#) [F512D5-5F34Y](#) [F512D5-5F45Y](#) [F512D5-5F50Y](#) [F512D5-5F54Y](#) [F512D5-5F66Y](#) [F512D5-5F70Y](#) [F512D5-5F75Y](#) [F512D5-5F90Y](#) [F612D5-5F100Y](#) [F612D5-5F130Y](#) [F612D5-5F50Y](#) [F612D5-5F56Y](#) [F612D5-5F58Y](#) [F6L12D5-5F46](#) [F912D5-5F11Y](#) [F912D5-5F170Y](#) [F912D5-5F175Y](#) [F912D5-5F230Y](#) [F912D5-5F300Y](#) [F912D5-5F55Y](#) [F912D5-5F56Y](#) [F912D5-5F63Y](#) [F912D5-5F6Y](#) [F912D5-5F75Y](#) [F912D5-5F85Y](#) [F912D5-5F86Y](#) [F912D5-5F88Y](#) [F912D5-5F96Y](#) [FAP0047WBLMTP](#) [FAP12WBRDRDDLZ](#) [FAP12WDYLYLDLZ](#) [FAP12WEORORDLZ](#) [FAP6WEORORDLZ](#) [FAP6WFDBDBDLZ](#) [FAP8WEORORDLZ](#) [FCE2UWCL](#) [800A-LB](#) [802A-ECSP](#) [802I-ICSP](#) [FJQADH](#) [FJQFXT](#) [PED10](#)