

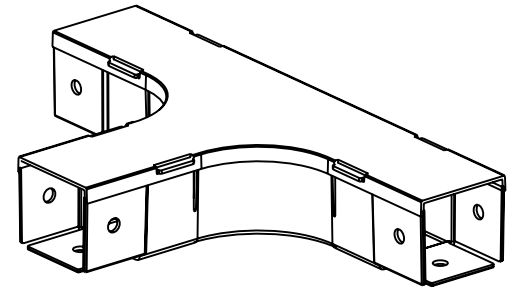
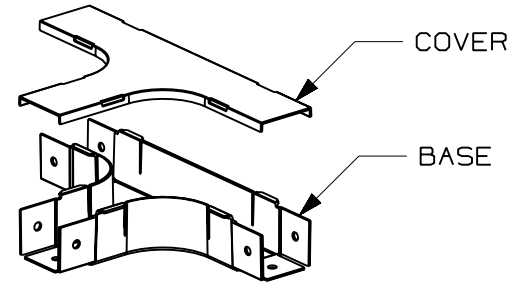
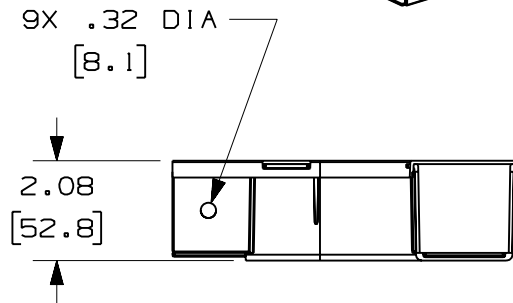
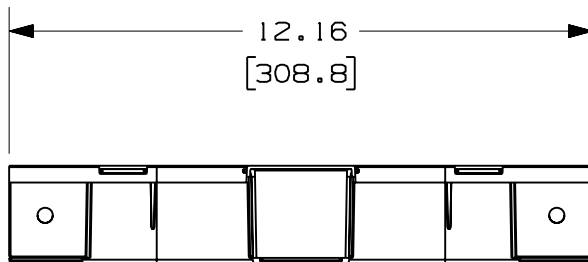
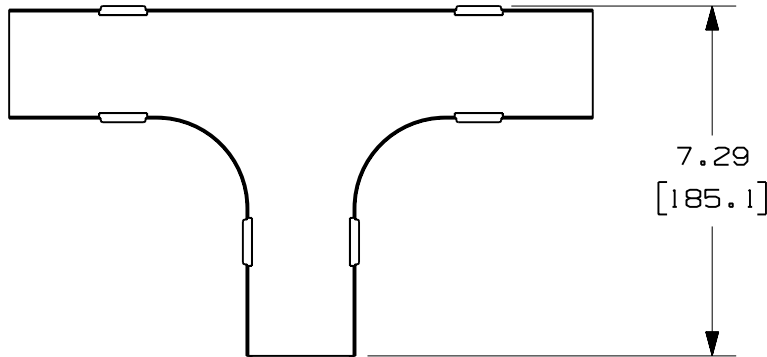


| | |
|---------------------|-----------------------------|
| PANDUIT PART NUMBER | WEIGHT |
| FT2X2 | 0.45 LB/EACH (206g/EACH) |



NOTES:

- SEE CURRENT CATALOG FOR ADDITIONAL PART SUFFIXES TO INDICATE COLOR AND/OR PACKAGE QUANTITY.
- THE FIBER-DUCT 2x2 AND FIBERRUNNER 2x2 HORIZONTAL TEE FITTING IS DESIGNED WITH A MINIMUM 2" (50.8) BEND RADIUS TO PROTECT FIBER OPTIC CABLES.
- DIMENSIONS IN PARENTHESES ARE IN METRIC.



ENG. REF.: D35245C1_DC_FT2X2_04.prt

CAD FILENAME/LAYERS
E FT2X2.pdf

PANDUIT CORP TINLEY PARK, ILLINOIS
FIBER-DUCT 2x2 AND FIBERRUNNER 2x2
HORIZONTAL TEE FITTING (FT2X2)
CUSTOMER DRAWING

| | | | |
|---|---------------|---|-----------|
| UNLESS OTHERWISE SPECIFIED, DIMENSIONAL TOLERANCES ARE: (.X) ± (.XXX) ± (.XX) ± .03 (.8) ANGLES ± | | UNLESS OTHERWISE SPECIFIED, ALL DIMENSIONS ARE GIVEN IN INCHES, THIRD ANGLE PROJECTION. | |
| DRAWN BY JBA | MAT'L: ABS | SCALE NONE | DWG A |
| DATE 6-17-97 | CHK'D HIW | DRAWING NO. 35245-35 | SIZE A |

| REV | DATE | BY | CHK | DESCRIPTION | ECN | R | CUST | SUP | GMBH |
|-----|----------|-----|-----|--|----------|----|------|-----|------|
| - | ----- | --- | -- | I. REVISED GENERAL NOTES. H. REVISED PART WEIGHT. | ----- | -- | -- | | |
| - | ----- | --- | -- | G. REVISED MATERIAL. F. REVISED DRAWING TITLE. | ----- | -- | -- | | |
| 4 | 12-28-06 | MSO | RN | E. REVISED CAD FILENAME. D. REVISED AND REDRAWN. | 35245-35 | RN | RN | | |

X-ON Electronics

Largest Supplier of Electrical and Electronic Components

Click to view similar products for [Wire Ducting](#) category:

Click to view products by [Panduit](#) manufacturer:

Other Similar products are found below :

[66200A-10](#) [CVED32VEPG](#) [CVED40VEPG](#) [F512D5-5F140Y](#) [F512D5-5F200Y](#) [F512D5-5F26Y](#) [F512D5-5F30Y](#) [F512D5-5F33Y](#) [F512D5-5F34Y](#) [F512D5-5F45Y](#) [F512D5-5F50Y](#) [F512D5-5F54Y](#) [F512D5-5F66Y](#) [F512D5-5F70Y](#) [F512D5-5F75Y](#) [F512D5-5F90Y](#) [F612D5-5F100Y](#) [F612D5-5F130Y](#) [F612D5-5F50Y](#) [F612D5-5F56Y](#) [F612D5-5F58Y](#) [F6L12D5-5F46](#) [F912D5-5F11Y](#) [F912D5-5F170Y](#) [F912D5-5F175Y](#) [F912D5-5F230Y](#) [F912D5-5F300Y](#) [F912D5-5F55Y](#) [F912D5-5F56Y](#) [F912D5-5F63Y](#) [F912D5-5F6Y](#) [F912D5-5F75Y](#) [F912D5-5F85Y](#) [F912D5-5F86Y](#) [F912D5-5F88Y](#) [F912D5-5F96Y](#) [FAP0047WBLMTP](#) [FAP12WBRDRDDLZ](#) [FAP12WDYLYLDLZ](#) [FAP12WEORORDLZ](#) [FAP6WEORORDLZ](#) [FAP6WFDBDBDLZ](#) [FAP8WEORORDLZ](#) [FCE2UWCL](#) [800A-LB](#) [802A-ECSP](#) [802I-ICSP](#) [FJQADH](#) [FJQFXT](#) [PED10](#)