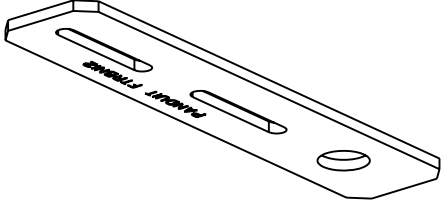
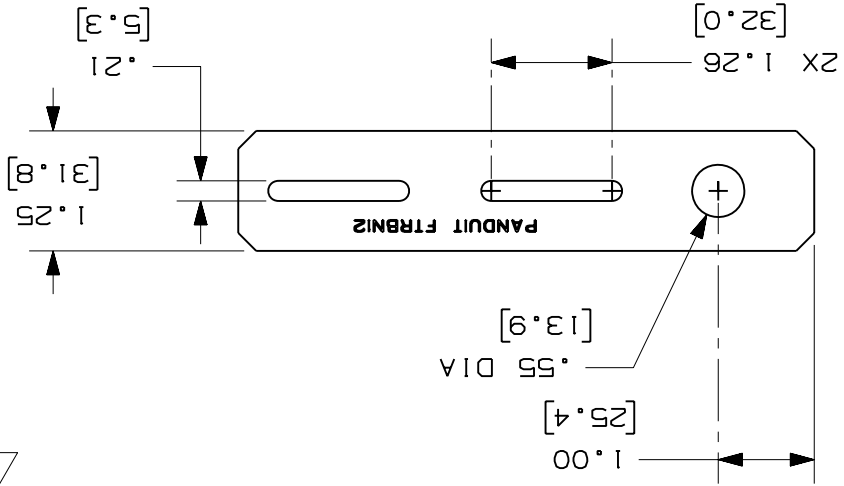




PANDUIT PART NUMBER	FTRBN12
WEIGHT	0.39 LB/EACH (117g/EACH)

NOTES:

1. SEE CURRENT CATALOG FOR ADDITIONAL PART SUFFIXES TO INDICATE PACKAGE QUANTITY.
2. THE FIBER-DUCT 2x2, 4x4 AND FIBERRUNNER 2x2 NEW THREADED ROD BRACKET IS USED TO SUPPORT THE FIBER-DUCT 2x2, 4x4 AND FIBERRUNNER 2x2 CABLE ROUTING SYSTEMS FROM A SECTION OF NEW 1/2" (M12) THREADED ROD.
3. THE FIBER-DUCT 2x2, 4x4 AND FIBERRUNNER 2x2 NEW THREADED ROD BRACKET INCLUDES:
 - ONE (1) BRACKET,
 - TWO (2) 1/2-13 HEAVY HEX NUTS (FTRBN12 ONLY),
 - TWO (2) 1/2" HELICAL SPRING LOCKWASHERS,
 - TWO (2) M12x1.75 HEX NUTS (FTRBN12 ONLY),
 - TWO (2) #10-32x1/2 PAN HEAD SLOTTED MACHINE SCREWS,
 - TWO (2) #10-32 HEX MACHINE SCREW NUTS,
 - TWO (2) #10 HELICAL SPRING LOCKWASHERS.
4. FINISH COLOR: YELLOW ZINC DICHROMATE
5. DIMENSIONS IN PARENTHESES ARE IN METRIC. (EXCEPT HARDWARE)



ENG. REF.: 035245BP_DC-FTRBN12_02.prt

CAD FILENAME/LAYERS FTRBN12.pdf

PANDUIT
CORP
TINLEY PARK, ILLINOIS

FIBER-DUCT 2x2, 4x4 AND FIBERRUNNER 2x2
NEW THREADED ROD BRACKET - 1/2" (M12)
THREADED ROD (FTRBN12, FTRBN12M)

UNLESS OTHERWISE SPECIFIED,
DIMENSIONAL TOLERANCES ARE:
(.XX) ±.03 (.8)
(.XXX) ±
ANGLES ±

UNLESS OTHERWISE SPECIFIED,
ALL DIMENSIONS ARE GIVEN IN
INCHES, THIRD ANGLE PROJECTION.

SCALE NONE
DRAWING NO. 35245-16

SIZE A

REV	DATE	BY	CHK	DESCRIPTION	ECN	R	CUST	SUP	GMBH	CHK D	CEP
2	12-27-06	MSO	RN	F. REVISED AND REDRAWN. E. REVISED CAD FILENAME.	35245-16	RN	RN			11-20-96	
-	-----	---	---	H. REMOVED FTRBN58. G. REVISED DRAWING TITLE.	-----	--	--			TPO	
-	-----	---	---	I. REVISED MATERIAL. J. REVISED PART WEIGHT.	-----	--	--				
-	-----	---	---	K. REVISED GENERAL NOTES.	-----	--	--				

X-ON Electronics

Largest Supplier of Electrical and Electronic Components

Click to view similar products for [Racks & Rack Cabinet Accessories](#) category:

Click to view products by [Panduit](#) manufacturer:

Other Similar products are found below :

[CR-1727](#) [M00-PLN](#) [F2420](#) [F2424](#) [8310-1032-SS](#) [9104](#) [PLFF2000](#) [PLFF6000](#) [GP216](#) [PTFA60000LG](#) [H-9163-B](#) [HEH050BA](#) [1427C3](#)
[BAS-5104](#) [N-700-2](#) [190-002](#) [HTL10](#) [HTS10](#) [PC-118](#) [PC-780L](#) [PC-79](#) [PC-800](#) [SC4-28](#) [F3024](#) [AKWAMT](#) [PLFF1000](#) [GRPB12PG](#) [CG3-](#)
[340S/12](#) [2CWDP36](#) [2CWDP48](#) [2SSHINGE](#) [CP-001BK](#) [CPL19431LG1](#) [R570-004-107](#) [M6123-4007-SS](#) [TS170](#) [531300535](#) [BRX-12290](#)
[C4BD3077SBK1](#) [UPS 7-17-14 PLAIN](#) [LP40](#) [5261304-07](#) [CCA26-44-01](#) [706-102](#) [CG3-160G](#) [7112C-PLN ALUM](#) [CM10](#) [TS81](#) [7142](#)
[GP134](#)