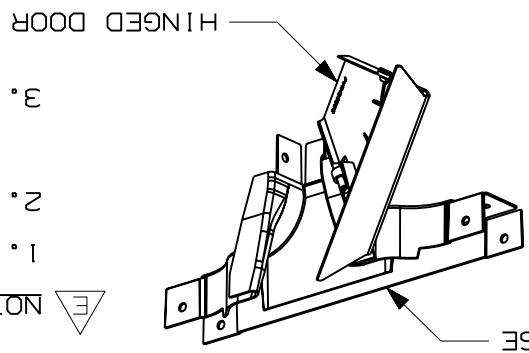




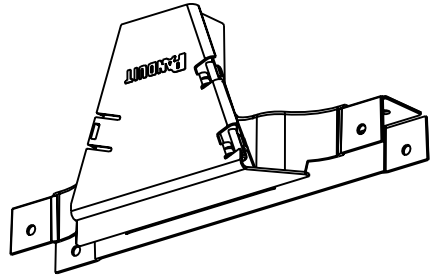
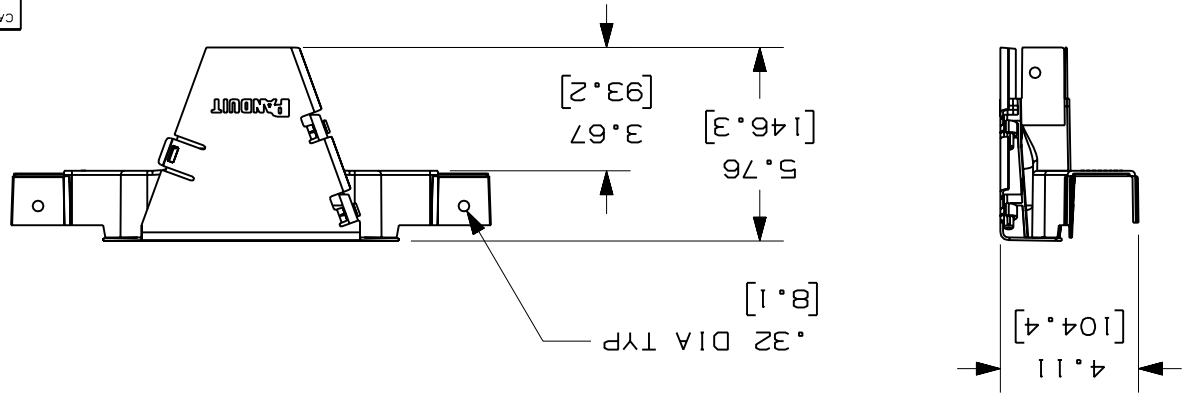
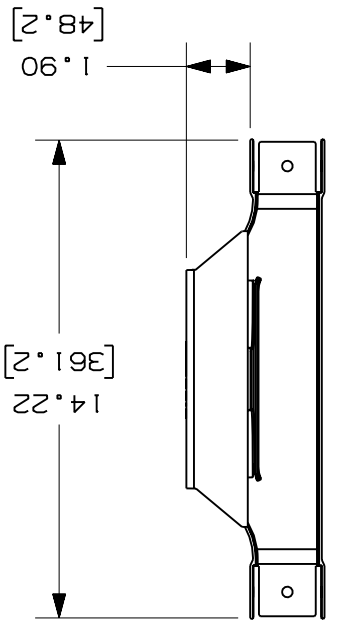
THIS COPY IS PROVIDED ON A RESTRICTED BASIS AND IS NOT TO BE USED IN ANY WAY DETRIMENTAL TO THE INTERESTS OF PANDUIT CORP.

PANDUIT PART NUMBER	FVTHDXX2
WEIGHT	0.55 LB/EACH (251g/EACH)



NOTES:

1. SEE CURRENT CATALOG FOR ADDITIONAL PART SUFFIXES TO INDICATE COLOR AND/OR PACKAGE QUANTITY.
2. THE FIBER-DUCT 2X2 AND FIBERRUNNER 2X2 VERTICAL TEE FITTING INCLUDES:
ONE (1) VERTICAL TEE BASE,
ONE (1) HINGED DOOR
3. DIMENSIONS IN PARENTHESES ARE IN METRIC.



ENG. REF.: D38239BD-DC-FVTHDXX2-01.prt

CAD FILENAME/LAYERS
FVTHDXX2.pdf

PANDUIT
CORP
TINLEY PARK, ILLINOIS

FIBER-DUCT 2X2 AND FIBERRUNNER
2X2 VERTICAL TEE FITTING (FVTHDXX2)

UNLESS OTHERWISE SPECIFIED,
DIMENSIONAL TOLERANCES ARE:
(.XX) ±.03 (.8)
(.XXX) ±
(.XXX) ANGLES ±
INCHES, THIRD ANGLE PROJECTION.
UNLESS OTHERWISE SPECIFIED,
ALL DIMENSIONS ARE GIVEN IN

REV	DATE	BY	CHK	DESCRIPTION	ECN	R	CUST	SUP	GMBH	CEO
1	7-25-06	DTP	RN	A. REVISED AND REDRAWN	38239-04	RN	RN			2-21-02
-	-	-	-	B. REVISED DRAWING TITLE	-	-	-	-	-	JHNU
-	-	-	-	C. REVISED CAD FILENAME	-	-	-	-	-	MAT'L:
-	-	-	-	D. REVISED PART WEIGHT	-	-	-	-	-	SCALE
-	-	-	-	E. REVISED GENERAL NOTES	-	-	-	-	-	NONE

DWG
38239-04
SIZE
A

ABS

X-ON Electronics

Largest Supplier of Electrical and Electronic Components

Click to view similar products for [Wire Ducting](#) category:

Click to view products by [Panduit](#) manufacturer:

Other Similar products are found below :

[66200A-10](#) [CVED32VEPG](#) [CVED40VEPG](#) [F512D5-5F140Y](#) [F512D5-5F200Y](#) [F512D5-5F26Y](#) [F512D5-5F30Y](#) [F512D5-5F33Y](#) [F512D5-5F34Y](#) [F512D5-5F45Y](#) [F512D5-5F50Y](#) [F512D5-5F54Y](#) [F512D5-5F66Y](#) [F512D5-5F70Y](#) [F512D5-5F75Y](#) [F512D5-5F90Y](#) [F612D5-5F100Y](#) [F612D5-5F130Y](#) [F612D5-5F50Y](#) [F612D5-5F56Y](#) [F612D5-5F58Y](#) [F6L12D5-5F46](#) [F912D5-5F11Y](#) [F912D5-5F170Y](#) [F912D5-5F175Y](#) [F912D5-5F230Y](#) [F912D5-5F300Y](#) [F912D5-5F55Y](#) [F912D5-5F56Y](#) [F912D5-5F63Y](#) [F912D5-5F6Y](#) [F912D5-5F75Y](#) [F912D5-5F85Y](#) [F912D5-5F86Y](#) [F912D5-5F88Y](#) [F912D5-5F96Y](#) [FAP0047WBLMTP](#) [FAP12WBRDRDDLZ](#) [FAP12WDYLYLDLZ](#) [FAP12WEORORDLZ](#) [FAP6WEORORDLZ](#) [FAP6WFDBDBDLZ](#) [FAP8WEORORDLZ](#) [FCE2UWCL](#) [800A-LB](#) [802A-ECSP](#) [802I-ICSP](#) [FJQADH](#) [FJQFXT](#) [PED10](#)