

# Opticom® Wall Mount Enclosures

## specifications

Wall mount enclosures shall be constructed of steel material. Enclosures shall provide cable bend radius protection. Enclosures offer optional discrete locking capability between service and user segments.



## technical information

<b>Dimensions:</b>	FWME2: WxHxD=12x10.18x2.32in. (304.8x258.6x59.1mm) FWME4: WxHxD=16.11x12.25x3.52in. (409.2x311.0x89.4mm) FWME8: WxHxD=16.11x20.25x3.52in. (409.2x514.2x89.4mm)
<b>Splicing tray and holder capacity:</b>	FWME2: Holds (1) FSTHS which accommodates up to 2 FSTKs FWME4: Holds (1) FST6H4 which accommodates up to 4 FST6s FWME8: Holds (2) FST6H4s which accommodates up to 4 FST6s each
<b>Packaging:</b>	Includes accessory kit and labels

## key features and ...benefits

<b>Improved strain relief clip</b>	Easier to install and align fiber with grommet
<b>Spooling area</b>	Manages and organizes fiber slack
<b>Rubber grommet</b>	Offers dust/debris protection and helps secure cable to enclosure
<b>Improved latch</b>	Provides improved closure
<b>Optional keyed lock</b>	Provides added security
<b>Works with most Mini-Com®, Opti-Jack® ST, SC, Coax, and Fiber Cassette modules</b>	Offers flexibility for a variety of applications
<b>Flush mounted latch</b>	Minimizes box depth from wall
<b>Optional splicing tray and holder</b>	Allows splicing within patching enclosures

## applications

Opticom® Wall Mount Enclosures are designed to manage and organize fiber distribution in areas where space is limited. They can also be used to manage cable from outside the facility. Enclosures can be used as an interconnect or cross-connect in any telecommunications room and can use any standard FAP or FMP series adapter panel. Opticom® Enclosures are completely modular and can manage both fiber and copper cables.

### Opticom™ Wall Mount Enclosures

<b>12/24 fiber (2 FAPs):</b>	FWME2
<b>24/48 fiber (4 FAPs):</b>	FWME4
<b>48/96 fiber (8 FAPs):</b>	FWME8

### Adapter Panels

<b>Blank panel:</b>	FAPB
---------------------	------

### LC Adapter Panels

<b>6 duplex LC:</b>	FAP6WAQDLC
<b>12 duplex LC:</b>	FAP12WAQDLC

### SC Adapter Panels

<b>3 duplex SC:</b>	FAP3WBUDSC
<b>6 duplex SC:</b>	FAP6WBUDSC

### Splice Tray

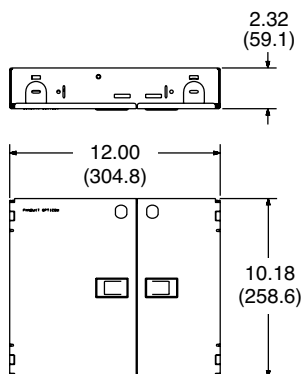
<b>FWME4, FWME8</b>	
<b>Splice tray:</b>	FST6
<b>Holder:</b>	FST6H4
<b>FWME2</b>	
<b>Splice tray:</b>	FSTK
<b>Holder:</b>	FSTHS

### Door Locks

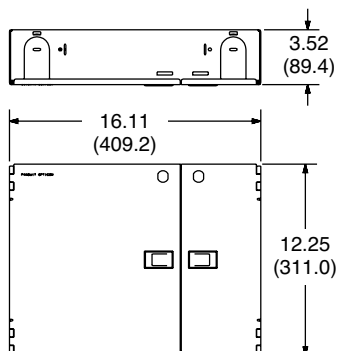
<b>User side:</b>	FELU
<b>Service side:</b>	FELS

# Opticom® Wall Mount Enclosures

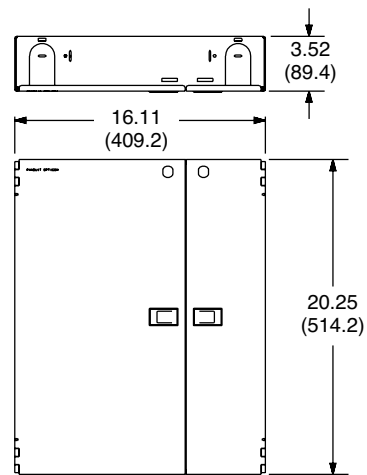
## Wall Mount Enclosures



**FWME2**

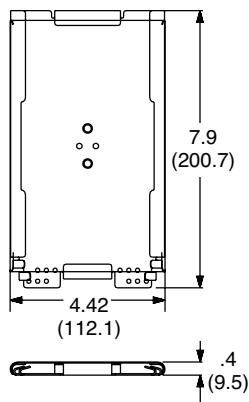


**FWME4**

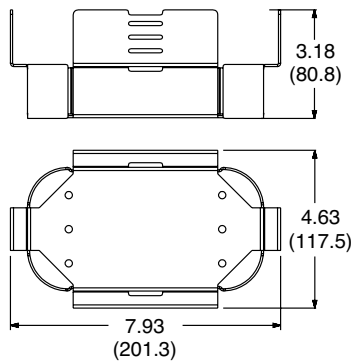


**FWME8**

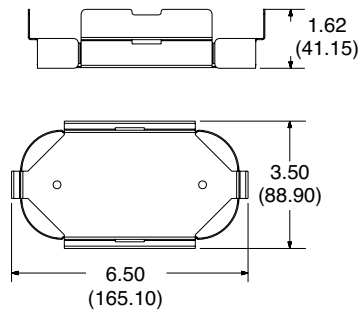
## Splice Trays



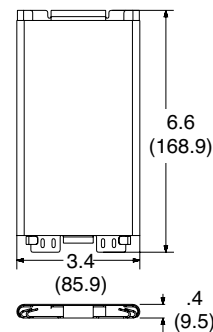
**FST6**



**FST6H4**



**FSTHS**



**FSTK**

Dimensions are in inches. (Dimensions in parentheses are in millimeters)

### WORLDWIDE SUBSIDIARIES AND SALES OFFICES

PANDUIT CANADA  
Markham, Ontario  
cs-cdn@panduit.com  
Phone: 800.777.3300

PANDUIT EUROPE LTD.  
London, UK  
cs-emea@panduit.com  
Phone: 44.20.8601.7200

PANDUIT SINGAPORE PTE. LTD.  
Republic of Singapore  
cs-ap@panduit.com  
Phone: 65.6305.7575

PANDUIT JAPAN  
Tokyo, Japan  
cs-japan@panduit.com  
Phone: 81.3.6863.6000

PANDUIT LATIN AMERICA  
Guadalajara, Mexico  
cs-la@panduit.com  
Phone: 52.33.3777.6000

PANDUIT AUSTRALIA PTY. LTD.  
Victoria, Australia  
cs-aus@panduit.com  
Phone: 61.3.9794.9020

For a copy of Panduit product warranties, log on to [www.panduit.com/warranty](http://www.panduit.com/warranty)

For more information

Visit us at [www.panduit.com](http://www.panduit.com)

Contact Customer Service by email: [cs@panduit.com](mailto:cs@panduit.com)  
or by phone: 800.777.3300



©2016 Panduit Corp.  
ALL RIGHTS RESERVED.  
Printed in the U.S.A.  
**FBSP108--WW-ENG**  
2016-09-22

## X-ON Electronics

Largest Supplier of Electrical and Electronic Components

*Click to view similar products for [Racks & Rack Cabinet Accessories](#) category:*

*Click to view products by [Panduit](#) manufacturer:*

Other Similar products are found below :

[CR-1727](#) [M00-PLN](#) [F2420](#) [F2424](#) [8310-1032-SS](#) [9104](#) [PLFF2000](#) [PLFF6000](#) [GP216](#) [PTFA60000LG](#) [H-9163-B](#) [AC220-84-1](#) [HEH050BA](#)  
[1427C3](#) [BAS-5104](#) [N-700-2](#) [190-002](#) [HTL10](#) [HTS10](#) [PC-118](#) [PC-780L](#) [PC-79](#) [PC-800](#) [SC4-28](#) [F3024](#) [AKWAMT](#) [PLFF1000](#) [GRPB12PG](#)  
[CG3-340S/12](#) [2CWDP36](#) [2CWDP48](#) [2SSHINGE](#) [CP-001BK](#) [CPL19431LG1](#) [R570-004-107](#) [M6123-4007-SS](#) [TS170](#) [531300535](#) [BRX-](#)  
[12290](#) [C4BD3077SBK1](#) [UPS 7-17-14 PLAIN](#) [LP40](#) [5261304-07](#) [CCA26-44-01](#) [706-102](#) [CG3-160G](#) [7112C-PLN ALUM](#) [CM10](#) [TS81](#) [7142](#)