

QuickNet™ 4 to 1 Conversion Harness Cable Assemblies

technical information

To meet the needs for fiber cable plant migration to higher speeds, Panduit offers 4 to 1 conversion harness assemblies. As part of the Panduit High Speed Data Transport (HSDT) solution, these passive fiber cables provide a cost-effective solution for interconnecting high speed switches equipped with MPO modular transceivers to switches equipped with LC transceivers.

The PanMPO end is wired as four separate transmit and receive fibers which are connected to four LC connector ends. The four LC connector ends can be directly attached to co-located switch gear or connected to an existing LC-based structured cabling system to allow for distribution to different locations in the data center.



application

Interconnection of MPO modular transceiver ports with multiple LC modular ports

construction

Cable type:	3.0mm round indoor
Cable jacket ratings:	Optical Fiber Nonconductive Plenum (OFNP) Low Smoke Zero Halogen (LSZH)
Fiber types:	Bend Insensitive OM3 Bend Insensitive OM4
Connector types, end 'A':	PanMPO female PanMPO male
Fiber count:	8
Jacket color:	OM3: Aqua OM4: Aqua
Connector types, end 'B':	LC Uniboot (polarity changeable)

physical properties

Cable outside diameter (OD):	3.0mm
Minimum bend radius:	30mm
Cable compressive load:	35N/cm
Cable flex:	100 cycles at 4.9N
Cable twist:	10 cycles at 15N
Connector cable retention:	50N
Connector durability-singlemode:	500 mating cycles*
Breakout outside diameter:	13.0mm
Bend radius installation:	Installation: 76.2mm Long term: 38.1mm
Cable tensile strength:	220N Long term: 18N

optical properties

Maximum cable attenuation:	OM3 3.0dB/km at 850nm, 1.5dB/km at 1300nm OM4 3.0dB/km at 850nm, 1.5dB/km at 1300nm
Maximum connector insertion loss:	Per mated pair: 0.50dB typical, 0.75dB max.
Minimum connector return loss:	Multimode: OM3 26dB minimum OM4 26dB minimum

environmental properties

Operating temperature:	0°C to 50°C
Storage and shipping temperature:	-40°C to 65°C
Installation temperature:	0°C to 50°C

standards

Meets or exceeds ISO/IEC 11801, TIA/EIA-568-C.3, TIA-604-5 (FOCIS-5), TIA/EIA-568-C.1, TIA/EIA 604-12 (FOCIS-12)

RoHS Compliant

*With proper cleaning and inspection

QuickNet™ 4 to 1 Conversion Harness Cable Assemblies

part number

Example: FZ8RP8NUSQNMF010 = Fiber OM4, 8 fiber, round cable, plenum rated, PanMPO male to LC uniboot with 61cm equal breakout, 4 to 1 conversion harness, 1m

CHARACTER	1	2	3	4	5	6	7	8	9	10	11	12	13	14	15
EXAMPLE	F	Z	8	R	P	8	N	U	S	Q	N	F	0	1	0

1 – Fiber Product

F = Fiber

2 – Fiber Type

X = OM3 50/125µm

Z = OM4 50/125µm

3 – Fiber Count

8 = 8-fibers

4 – Cable Type

R = Round cable

5 – Jacket Type

L = Low Smoke Zero

Halogen (LSZH)

P = Optical Fiber Non-conductive

Plenum (OFNP)

6 – Connector Type End A

7 = PanMPO female

8 = PanMPO male

7 – Connector Variant

N = No variant

8 – Connector Type End B

U = LC Uniboot

9 – Connector Variant

S = 61cm equal breakout

10 – Construction/Performance

Q = 4 to 1 conversion harness

11 – Other

N = No variant

12 – Unit of Length

F = Feet

M = Meters

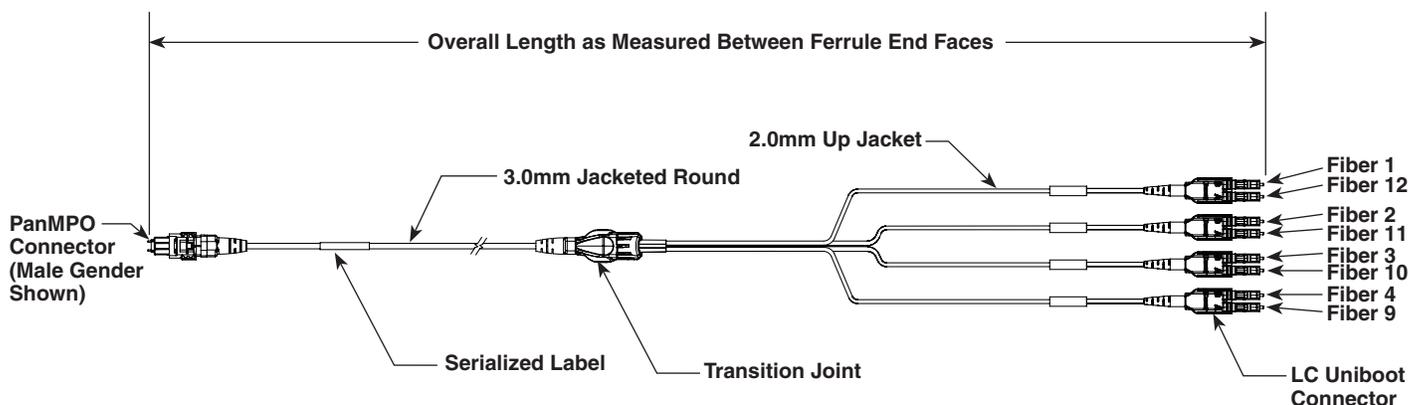
13, 14, 15 – Length

001 – 005m

003 – 015 feet

harness assembly detail

8-Fiber 4 to 1 Conversion Harness												
MPO End/LC End	Fiber Position from MPO End to LC End											
MPO	1	2	3	4	N/A	N/A	N/A	N/A	9	10	11	12
LC	1	3	5	7	N/A	N/A	N/A	N/A	8	6	4	2



WORLDWIDE SUBSIDIARIES AND SALES OFFICES

PANDUIT CANADA
Markham, Ontario
cs-cdn@panduit.com
Phone: 800.777.3300

PANDUIT EUROPE LTD.
London, UK
cs-emea@panduit.com
Phone: 44.20.8601.7200

PANDUIT SINGAPORE PTE. LTD.
Republic of Singapore
cs-ap@panduit.com
Phone: 65.6305.7575

PANDUIT JAPAN
Tokyo, Japan
cs-japan@panduit.com
Phone: 81.3.6863.6000

PANDUIT LATIN AMERICA
Guadalajara, Mexico
cs-la@panduit.com
Phone: 52.33.3777.6000

PANDUIT AUSTRALIA PTY. LTD.
Victoria, Australia
cs-aus@panduit.com
Phone: 61.3.9794.9020

For a copy of Panduit product warranties, log on to www.panduit.com/warranty

For more information

Visit us at www.panduit.com

Contact Customer Service by email: cs@panduit.com
or by phone: 800.777.3300

PANDUIT®

©2015 Panduit Corp.
ALL RIGHTS RESERVED.
FBSP99--WW-ENG
3/2015

X-ON Electronics

Largest Supplier of Electrical and Electronic Components

Click to view similar products for [Wire Ducting & Raceways](#) category:

Click to view products by [Panduit](#) manufacturer:

Other Similar products are found below :

[FG5EI25-A](#) [PED12](#) [PED8](#) [PEVEP](#) [FXOE3-10M3](#) [FZD3-3M2](#) [FZLE10-10M2](#) [FZOE10-10M1](#) [FZOLE10-10M2](#) [FZPE3-10M2](#) [923223-000](#)
[PRAF6WH-X](#) [A0405538](#) [1301150342](#) [1301230083](#) [1301150343](#) [1301230086](#) [1301240054](#) [AX101472](#) [AX102652](#) [AX102653](#) [AX102737](#)
[S62DS](#) [S65DS](#) [S75DSH](#) [A0405536](#) [A0405537](#) [A0649869](#) [FXOD3-3M1](#) [FXOE10-10M2](#) [FZLD3-3M2](#) [FZOE3-10M1](#) [FZOE3-10M2](#)
[FZOLE3-10M2](#) [FZOPE10-10M1](#) [FZPD3-3M2](#) [PZRFE4](#) [PZWIFIEN](#) [PZWIFIENA](#) [CNPSNH](#) [CNSPC](#) [5400ES](#) [WDLT-1216-72](#) [655287-000](#)
[S75DS](#) [1301180028](#) [801A-LSP](#) [TGECAW](#) [206461-000](#) [853425-000](#)