

QuickNet™ Harness and Staggered Harness Cable Assemblies

technical information

QuickNet™ Harness (Hydra) and Staggered Harness Cable Assemblies allow for rapid deployment of high-density, multi-port patch field connectivity for Storage Area Network (SAN) applications. QuickNet™ Harness Cable Assemblies optimize SAN patch field organization, ensuring efficient use of horizontal and vertical rack pathways. These assemblies, built with modular MPO connectivity and traditional connectivity provide compatibility, flexibility, and system performance in high-density LAN/SAN switch Equipment Distribution Area (EDA) patch field applications.

QuickNet™ Harness and Staggered Harness Cable Assemblies are factory terminated and tested to deliver verified optical performance and reliability for improved network integrity. 10Gig versions provide 10 Gb/s network performance up to 300 meters for OM3 and up to 550 meters for OM4 per IEEE 802.3ae 10 GbE standard while maintaining compatibility with legacy systems.



application

Storage Area Network (SAN), Local Area Network (LAN) switch, Equipment Distribution Area (EDA) patch field applications

construction

Cable type:	Indoor flat ribbon
Cable jacket ratings:	Plenum OFNP Low Smoke Zero Halogen (LSZH)
Fiber types:	Singlemode: OS1/OS2 9/125 Multimode: OM3 50/125µm OM4 50/125µm
Connector types, end 'A':	MPO female MPO male
Fiber count:	8 or 12
Jacket color:	OS1/OS2: Yellow OM3: Aqua OM4: Aqua
Connector types, end 'B':	LC duplex

optical properties

Maximum cable attenuation:	OS1/OS2 0.75dB/km at 1310/1550nm OM3 3.5dB/km at 850nm, 1.5dB/km at 1300nm OM4 3.5dB/km at 850nm, 1.5dB/km at 1300nm
Maximum connector insertion loss:	Per mated pair: 0.50dB typical, 0.75dB max.
Minimum connector insertion loss:	Singlemode: 55dB minimum Multimode: OM3 26dB minimum OM4 26dB minimum

physical properties

Cable outside dimensions (OD):	2.5 x 5mm
Minimum bend radius:	20 x Cable OD (installation)
Cable tensile strength:	660N
Cable compressive load:	35N/cm
Cable flex:	25 cycles
Cable twist:	10 cycles
Connector cable retention:	50N
Connector durability-singlemode:	MPO – 500 mating cycles
Breakout outside diameter:	13.0mm
Bend radius installation:	Installation: 76.2mm Long term: 38.1mm
Cable tensile strength:	Installation: 440N Long term: 18N

environmental properties

Operating temperature:	0°C to 50°C
Storage and shipping temperature:	-40°C to 65°C
Installation temperature:	0°C to 50°C

standards

Meets or exceeds ISO/IEC 11801, TIA/EIA-568-C.3, TIA-604-5 (FOCIS-5), TIA/EIA-568-C.1

RoHS Compliant

QuickNet™ Harness and Staggered Harness Cable Assemblies

part number

Example: FZTHP6NLSSNM001 = Fiber OM4, 12-fiber, flat ribbon, plenum rated, MPO male to LC harness with 61cm equal breakout, standard IL, no pulling eye, 1 meter

Character	1	2	3	4	5	6	7	8	9	10	11	12	13	14	15
Example	F	Z	T	H	P	6	N	L	S	S	N	M	0	0	1

1 – Fiber Product

F = Fiber

2 – Fiber Type

9 = OS1/OS2 9/125µm

X = OM3 50/125 µm

Z = OM4 50/125 µm

3 – Fiber Count

8 = 8-fiber

T = 12-fiber

4 – Cable Type

H = Flat ribbon

5 – Jacket Type

L = Low Smoke Zero Halogen (LSZH)

P = Optical Fiber Nonconductive Plenum (OFNP)

6 – Connector Type End “A”

5 = MPO female

6 = MPO male

7 – Connector Variant

N = No variant

8 – Connector Type End “B”

L = LC duplex

9 – Connector Variant

D = 1m equal breakout

S = 61cm equal breakout

N = No variant

F = Staggered pair 1 longest breakout

G = Staggered pair 1 shortest breakout

H = Staggered pairs 1 and 2 longest breakouts

J = Staggered pairs 1 and 2 shortest breakouts

10 – Construction/Performance

S = Standard IL – straight thru (MPO - Discrete)

11 – Other

N = No variant

12 – Unit of Length

F = Feet

M = Meters

13, 14, 15 – Length

1 – 30m

3 – 100 feet

Other options are available as follows:

Fiber Type: OM1 62.5/125, OM2 50/125, OM4+ 50/125 Sig Core

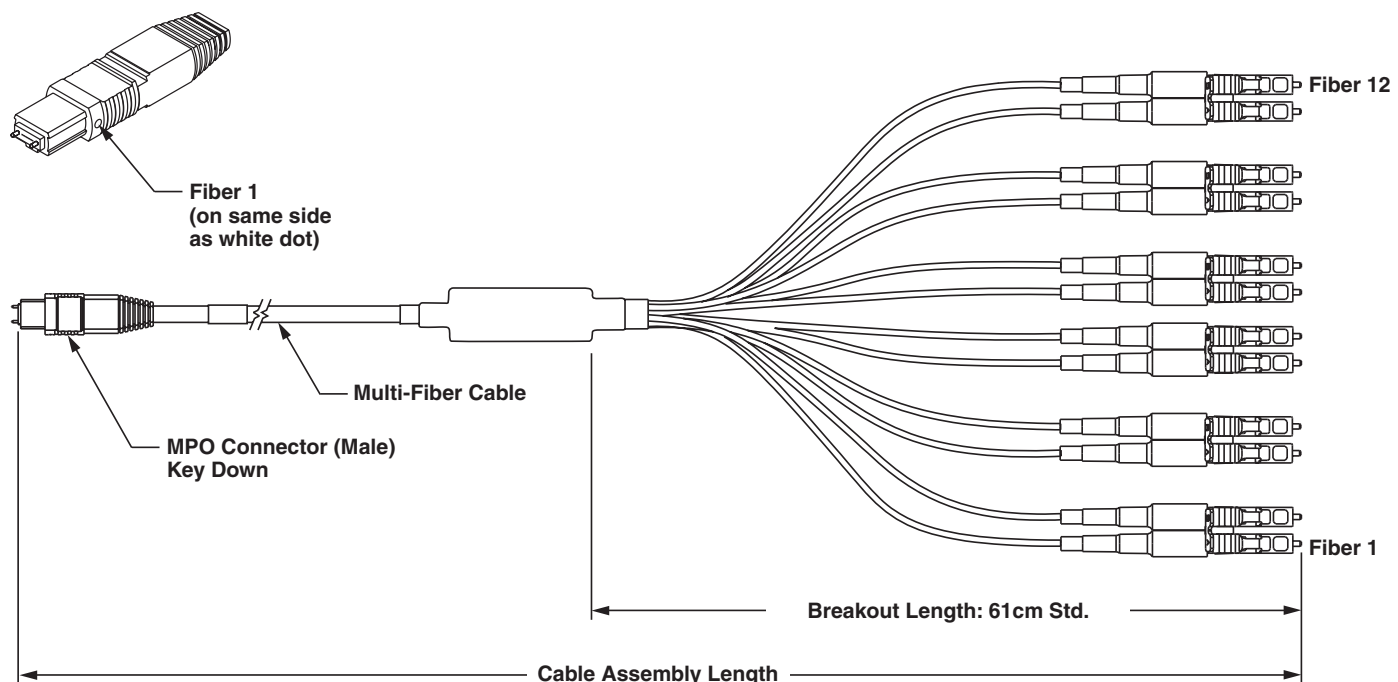
Jacket Type: Riser OFNR

Connector Type: LC, ST, SC, FC, SC/APC, mSFP, LC duplex, E2000, MTRJ Female, FJ Jack, MTRJ Male, FJ plug, SC duplex

Connector Variant: 46cm (18") equal breakout, 76cm (30") equal breakout, 91cm (36") equal breakout

Performance/Construction: Optimized performance/standard polarity, Optimized performance/flipped pair, standard performance/flipped pair

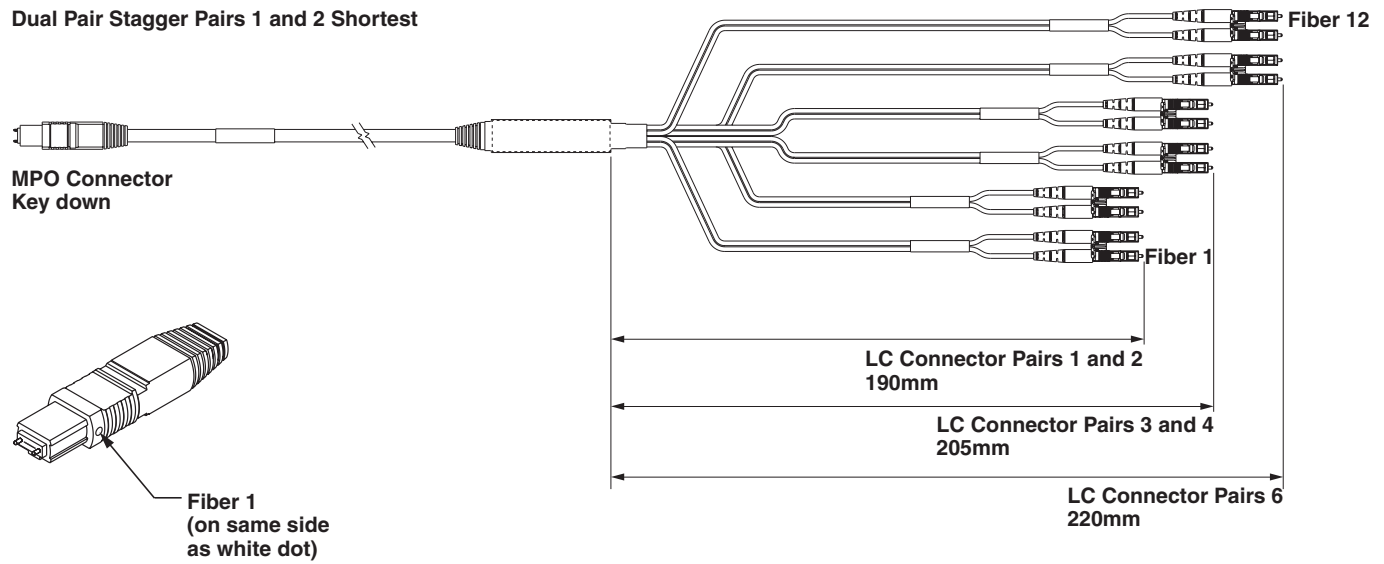
harness assembly detail



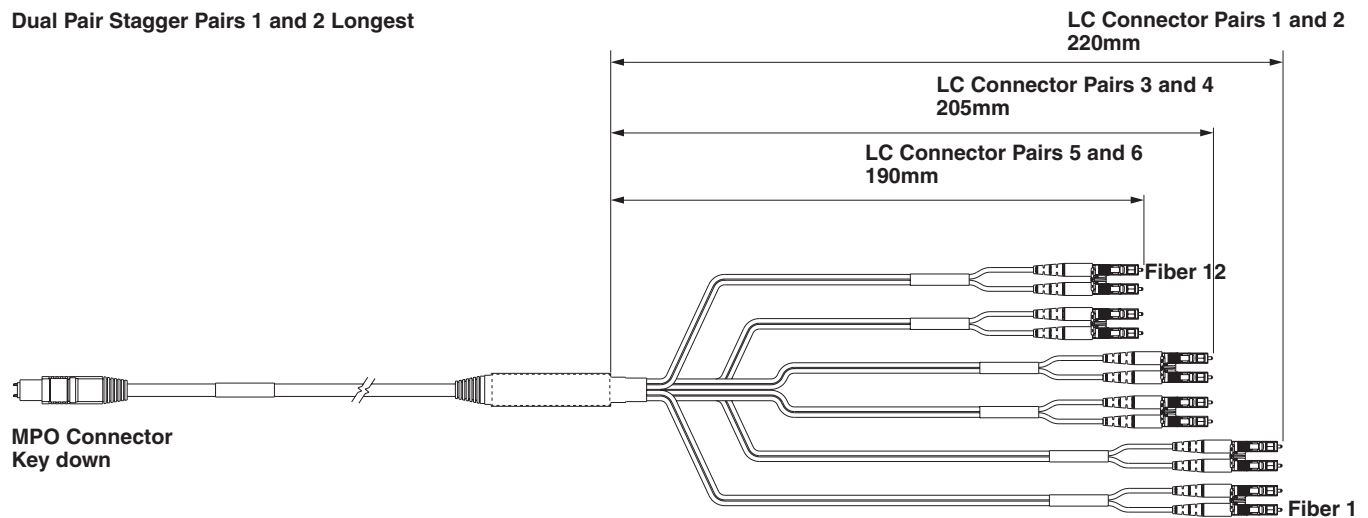
QuickNet™ Harness and Staggered Harness Cable Assemblies

staggered harness assembly detail

Dual Pair Stagger Pairs 1 and 2 Shortest



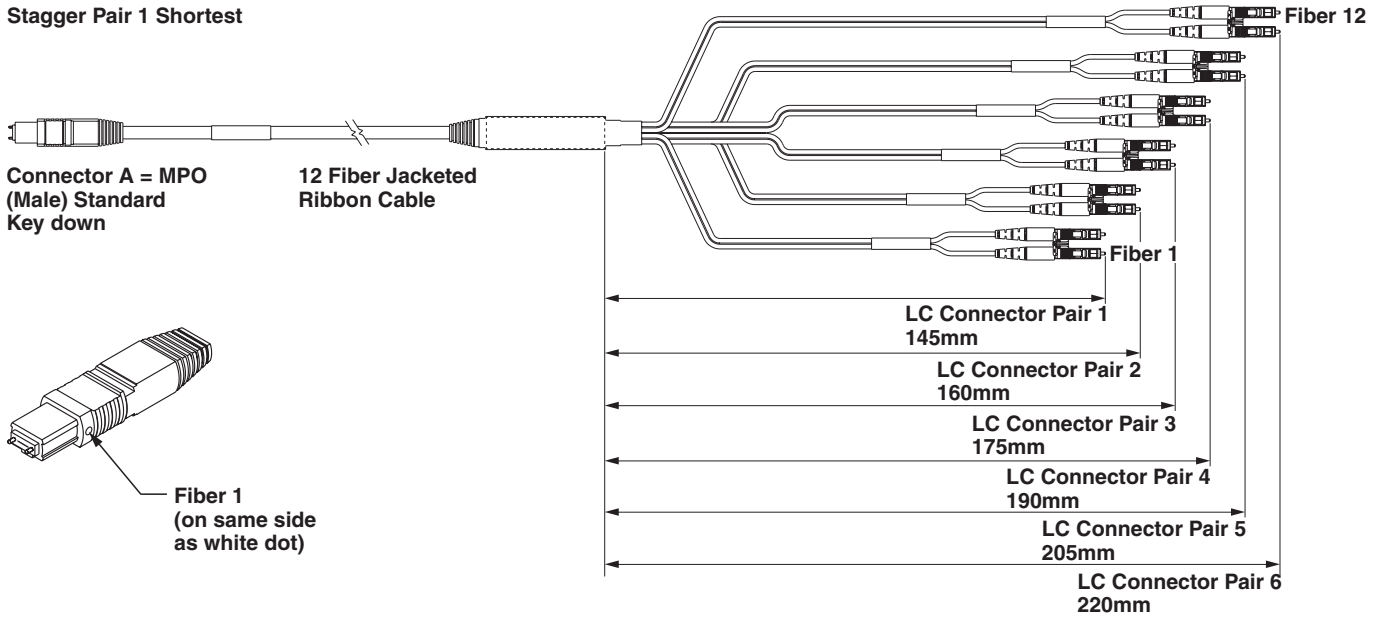
Dual Pair Stagger Pairs 1 and 2 Longest



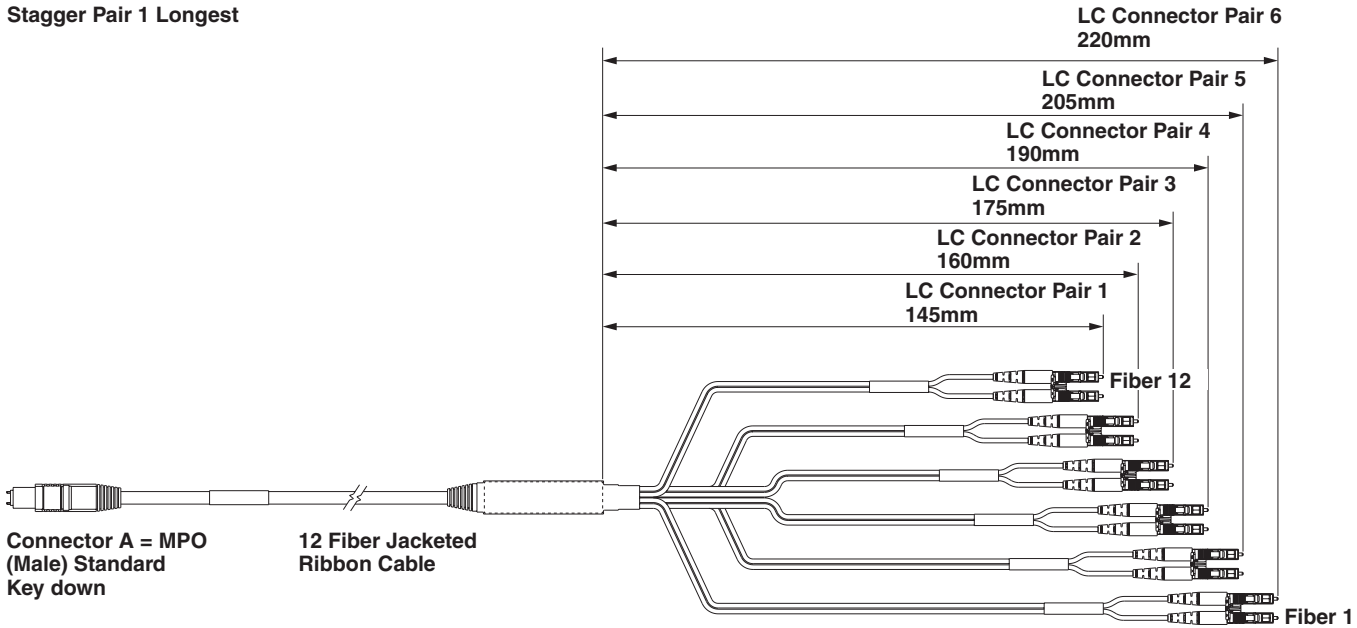
QuickNet™ Harness and Staggered Harness Cable Assemblies

staggered harness assembly detail

Stagger Pair 1 Shortest



Stagger Pair 1 Longest



WORLDWIDE SUBSIDIARIES AND SALES OFFICES

PANDUIT CANADA
Markham, Ontario
cs-cdn@panduit.com
Phone: 800.777.3300

PANDUIT EUROPE LTD.
London, UK
cs-emea@panduit.com
Phone: 44.20.8601.7200

PANDUIT SINGAPORE PTE. LTD.
Republic of Singapore
cs-ap@panduit.com
Phone: 65.6305.7575

PANDUIT JAPAN
Tokyo, Japan
cs-japan@panduit.com
Phone: 81.3.6863.6000

PANDUIT LATIN AMERICA
Guadalajara, Mexico
cs-la@panduit.com
Phone: 52.33.3777.6000

PANDUIT AUSTRALIA PTY. LTD.
Victoria, Australia
cs-aus@panduit.com
Phone: 61.3.9794.9020

For a copy of Panduit product warranties, log on to www.panduit.com/warranty

For more information

Visit us at www.panduit.com

Contact Customer Service by email: cs@panduit.com
or by phone: 800.777.3300 and reference FBSP56

PANDUIT®

©2012 Panduit Corp.
ALL RIGHTS RESERVED.
FBSP56--WW-ENG
11/2012

X-ON Electronics

Largest Supplier of Electrical and Electronic Components

Click to view similar products for [Fibre Optic Cable Assemblies](#) category:

Click to view products by [Panduit](#) manufacturer:

Other Similar products are found below :

[7-21002-9](#) [760-1518](#) [FA04390-50-M-72-LC-N](#) [MLB 501 V RED](#) [MLB 501 V YELLOW](#) [1-3636-600-5208](#) [2061529-7](#) [1-6693182-0](#)
[1754898-1](#) [21055-6](#) [FXBSCSCE2LM002](#) [3000005](#) [3-21053-2](#) [MLB 200/1 V BLACK](#) [5492011-6](#) [106284-7000](#) [5492011-5](#) [5492011-8](#)
[5492011-9](#) [8-21007-5](#) [2123524-2](#) [2123524-1](#) [106386-4447](#) [DFSM-SCSC-2M](#) [2123909-4](#) [2123909-8](#) [106273-0629](#) [2125046-1](#) [2821236-3](#)
[2821310-2](#) [2821310-3](#) [2821313-4](#) [FX2ERLNLNSNM0.5](#) [CF-980062-074](#) [CF-901200-394](#) [CF-980062-073](#) [CF-980062-071](#) [CF-980062-075](#)
[CF-980062-072](#) [17-300310-100](#) [2821236-2](#) [2821313-1](#) [G-FC-FC-S-002.0-DX-A-18-Y](#) [G-E2A-E2A-S-003.0-SX-A-18-Y](#) [956-322-502214](#)
[FA04474](#) [1083665](#) [1111540](#) [1111843](#) [1115533](#)