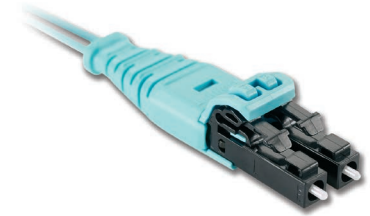


## technical information

Push-Pull LC Duplex Fiber Optic Patch Cords containing the custom push-pull strain relief boot and duplex clip, allow users easy accessibility when deploying very high density LC patch fields in data center applications. Available in riser (OFNR), and low smoke zero halogen (LSZH) rated jacket materials to comply with local cabling ordinances and OM4, OM3 or OS1/OS2 fiber types to meet the demands of today's highest speed applications.



## application

Provide interconnect and cross-connect of applications in entrance facilities, telecommunication rooms, data centers, at the desk and network applications to interconnect pre-terminated cassettes in main distribution, horizontal distribution, and equipment distribution areas.

## construction

<b>Fiber count:</b>	Duplex (2-fiber) jacketed zipcord
<b>Cable jacket ratings:</b>	Riser (OFNR) Low Smoke Zero Halogen (LSZH) per: IEC 60332-1-2, IEC 60332-3-24, IEC 60754-1, IEC 60754-2, IEC 61034-2
<b>Fiber types:</b>	Singlemode: OS1/OS2 9/125µm Multimode: OM3 50/125µm OM4 50/125µm
<b>Connector types, End 'A':</b>	Duplex LC
<b>Connector types, End 'B':</b>	Duplex LC
<b>Jacket color:</b>	OS1/OS2: Yellow OM3: Aqua OM4: Aqua

## optical properties

<b>Connector insertion loss:</b>	Standard: 0.25dB max (OM3 and OM4) 0.35dB max (OS2) Optimized: 0.15dB max (OM3 and OM4) Ultra: 0.10dB max (OM4)
<b>Connector return loss:</b>	26dB min (OM3 and OM4) 55dB min (OS1/OS2)

## physical properties

<b>Cable outside diameter (OD):</b>	1.6mm duplex
<b>Bend Radius (min) Short-Term:</b>	16mm
<b>Bend Radius (min) Long-Term:</b>	32mm
<b>Connector cable retention:</b>	50N (4.24lb) @ 0° 19.4N (4.4lb) @ 90°
<b>Connector durability:</b>	500 cycles

## environmental properties

<b>Storage and shipping temperature:</b>	-40°C to 70°C
<b>Operating and installation temperature:</b>	-10°C to 60°C

## standards

Meets or exceeds ISO/IEC 11801, TIA-568-C.3, TIA-604-10 (FOCIS-10)

<b>Restriction of Hazardous Substances (RoHS) Compliance:</b>	All patch cord components meet the requirement of Directive 2002/95/EC
---------------------------------------------------------------	------------------------------------------------------------------------

# Opti-Core® Push-Pull LC Duplex Fiber Optic Patch Cords

## part number configurator

Example: FX2ERQ1Q1SNM005 = Fiber, OM3, 2-fiber, 1.6mm cable, riser rated, LC push-pull connector to LC push-pull connector, standard IL, 5 meters

Character	1	2	3	4	5	6	7	8	9	10	11	12	13	14	15
Example	F	X	2	E	R	Q	1	Q	1	S	N	M	0	0	5

### 1 – Fiber Product

F = Fiber

### 2 – Fiber Type

X = OM3 50/125µm

Z = OM4 50/125µm

9 = OS1/OS2 9/125µm

### 3 – Fiber Count

2 = 2-fiber

### 4 – Cable Type

E = 1.6mm

### 5 – Jacket Type

L = LSZH (Low Smoke Zero Halogen)

R = OFNR (Riser)

### 6 – Connector Type

Q = LC Push-Pull connector

### 7 – Connector Variant

1 = 1<sup>st</sup> Gen (Low Profile Duplex LC)

### 8 – Connector Type

Q = LC Push-Pull connector

### 9 – Connector Variant

1 = 1<sup>st</sup> Gen (Low Profile Duplex LC)

### 10 – Performance/Construction

S = Standard IL/Straight Through (A-B)

O = Optimized IL/Straight Through (A-B)

N = Ultra IL/Straight Through (A-B)

### 11 – Connector Variant

N = No variant

### 12 – Unit of Length

M = Meters

F = Feet

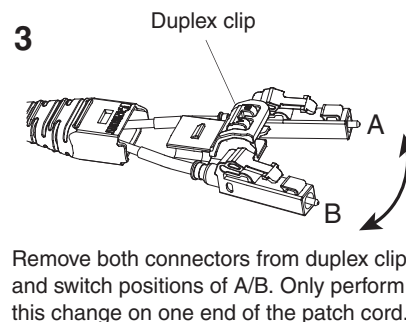
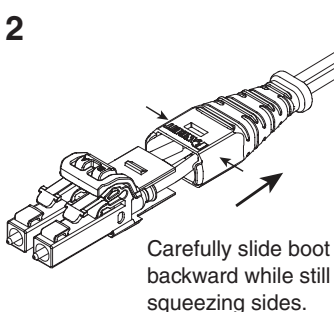
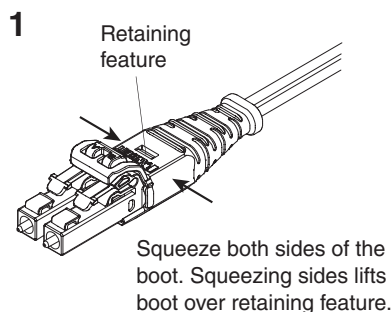
### 13, 14, 15 – Length

001 - 050 in 1 meter increments

1/2 meter increments available between 1 and 10 meters, ex 3.5

Foot-length increments available from 1 to 25 feet in Riser-rated jacket only

## polarity changeover



Other options are available as follows; contact Panduit for part number.

Fiber type: OM4+ Signature Core™

Performance/Construction: Optimized IL – Straight Through (A-B), Optimized IL – Flipped (A-A),

Standard IL – Flipped (A-A)

### WORLDWIDE SUBSIDIARIES AND SALES OFFICES

PANDUIT CANADA  
Markham, Ontario  
cs-cdn@panduit.com  
Phone: 800.777.3300

PANDUIT EUROPE LTD.  
London, UK  
cs-emea@panduit.com  
Phone: 44.20.8601.7200

PANDUIT SINGAPORE PTE. LTD.  
Republic of Singapore  
cs-ap@panduit.com  
Phone: 65.6305.7575

PANDUIT JAPAN  
Tokyo, Japan  
cs-japan@panduit.com  
Phone: 81.3.6863.6000

PANDUIT LATIN AMERICA  
Guadalajara, Mexico  
cs-la@panduit.com  
Phone: 52.33.3777.6000

PANDUIT AUSTRALIA PTY. LTD.  
Victoria, Australia  
cs-aus@panduit.com  
Phone: 61.3.9794.9020

For a copy of Panduit product warranties, log on to [www.panduit.com/warranty](http://www.panduit.com/warranty)

For more information

Visit us at [www.panduit.com](http://www.panduit.com)

Contact Customer Service by email: [cs@panduit.com](mailto:cs@panduit.com)  
or by phone: 800.777.3300

**PANDUIT**®

©2015 Panduit Corp.  
ALL RIGHTS RESERVED.  
FBSP90--WW-ENG  
2/2015

## X-ON Electronics

Largest Supplier of Electrical and Electronic Components

*Click to view similar products for [Wire Ducting & Raceways](#) category:*

*Click to view products by [Panduit](#) manufacturer:*

Other Similar products are found below :

[FG5EI25-A](#) [PED12](#) [PED8](#) [PEVEP](#) [FXOE3-10M3](#) [FZD3-3M2](#) [FZLE10-10M2](#) [FZOE10-10M1](#) [FZOLE10-10M2](#) [FZPE3-10M2](#) [923223-000](#)  
[PRAF6WH-X](#) [A0405538](#) [1301150342](#) [1301230083](#) [1301150343](#) [1301230086](#) [1301240054](#) [AX101472](#) [AX102652](#) [AX102653](#) [AX102737](#)  
[S62DS](#) [S65DS](#) [S75DSH](#) [A0405536](#) [A0405537](#) [A0649869](#) [FXOD3-3M1](#) [FXOE10-10M2](#) [FZLD3-3M2](#) [FZOE3-10M1](#) [FZOE3-10M2](#)  
[FZOLE3-10M2](#) [FZOPE10-10M1](#) [FZPD3-3M2](#) [PZRFE4](#) [PZWIFIEN](#) [PZWIFIENA](#) [CNPSNH](#) [CNSPC](#) [5400ES](#) [WDLT-1216-72](#) [655287-000](#)  
[S75DS](#) [1301180028](#) [801A-LSP](#) [TGECAW](#) [206461-000](#) [853425-000](#)